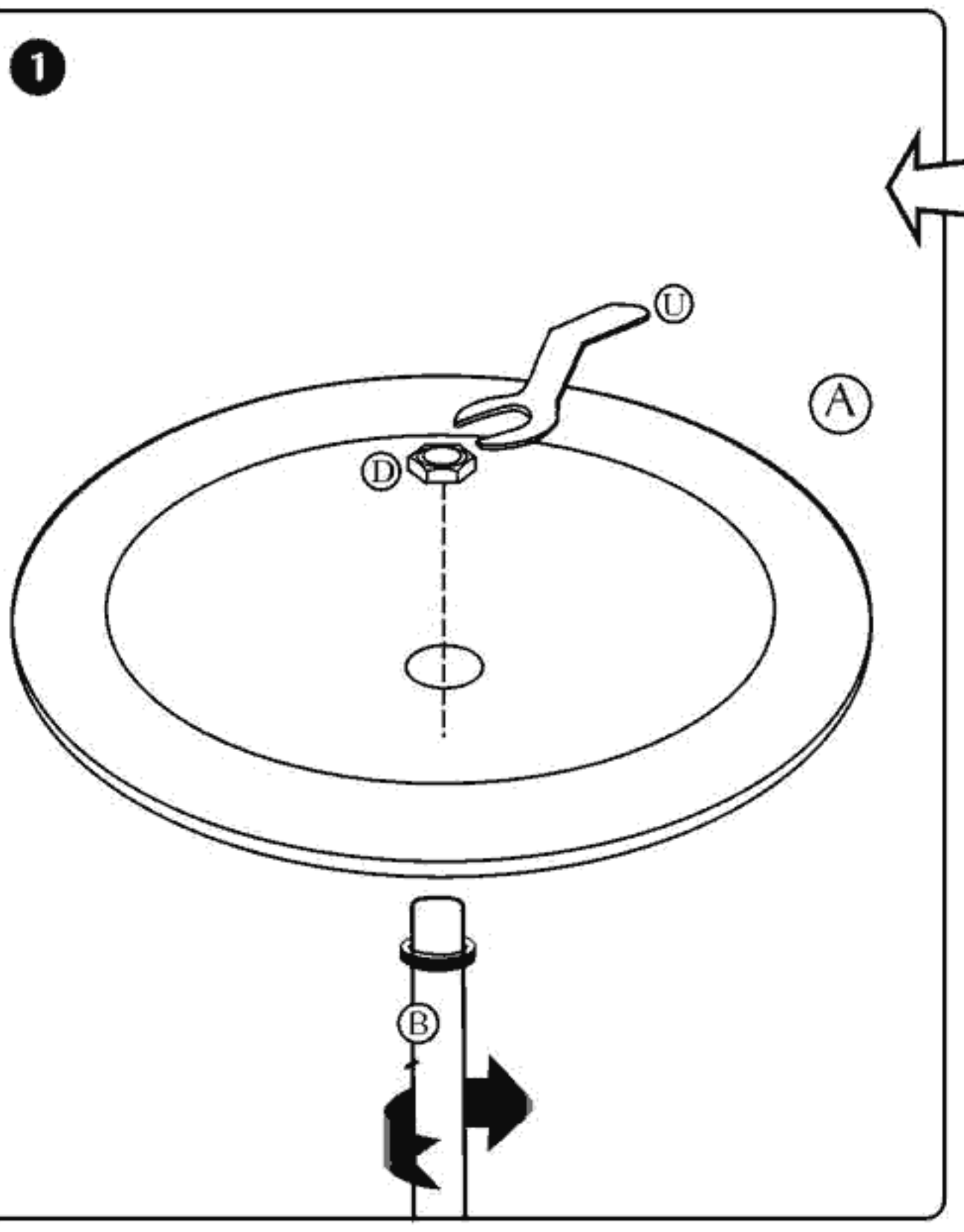
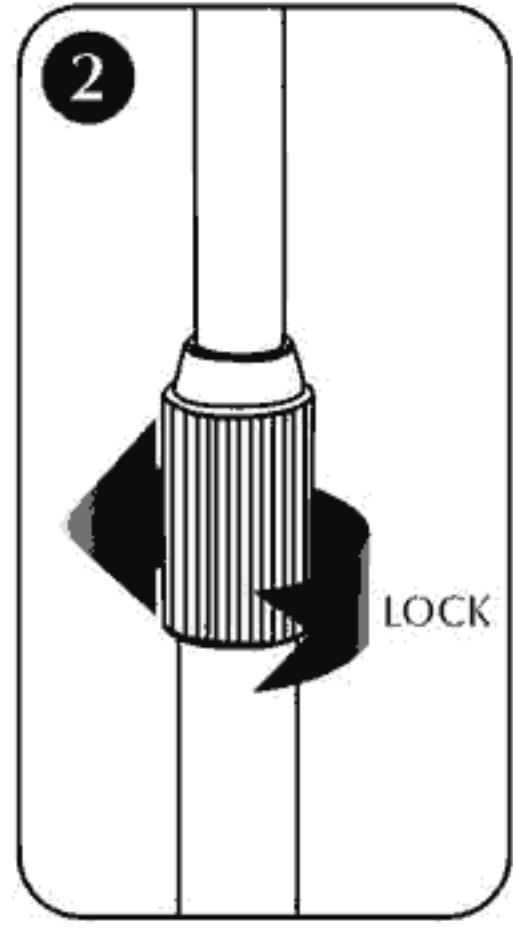


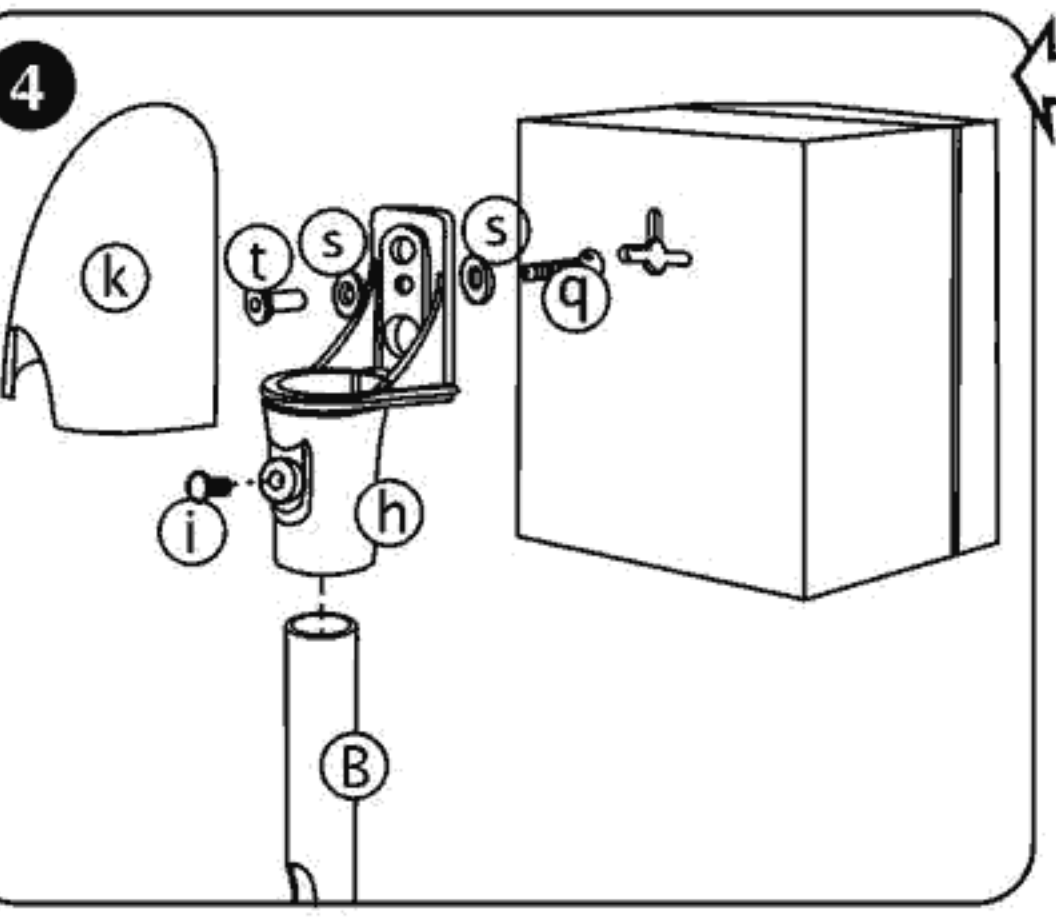
BEFORE STARTING THIS ASSEMBLY PLEASE TAKE TIME TO FAMILIARISE YOURSELF WITH THE COMPONENTS LISTED ON THE BACK PAGE



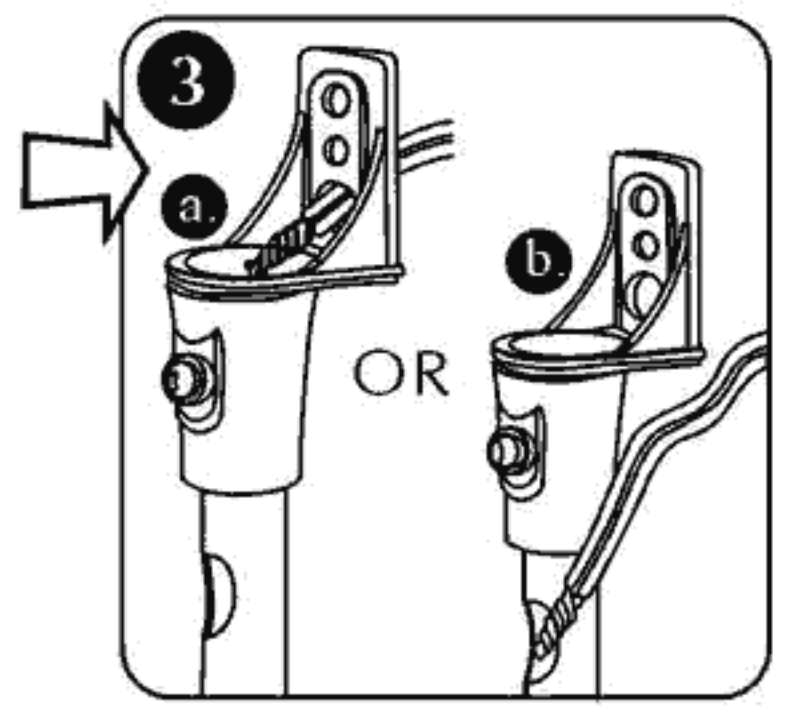
- Insert assembled tube (B) into base (A) and screw on retaining nut (D). Tighten using spanner (U).
- To achieve the desired tube length turn the twist lock device anti-clockwise to release the sliding tube mechanism. Adjust to the required height and turn twist lock clockwise to lock pole in position.



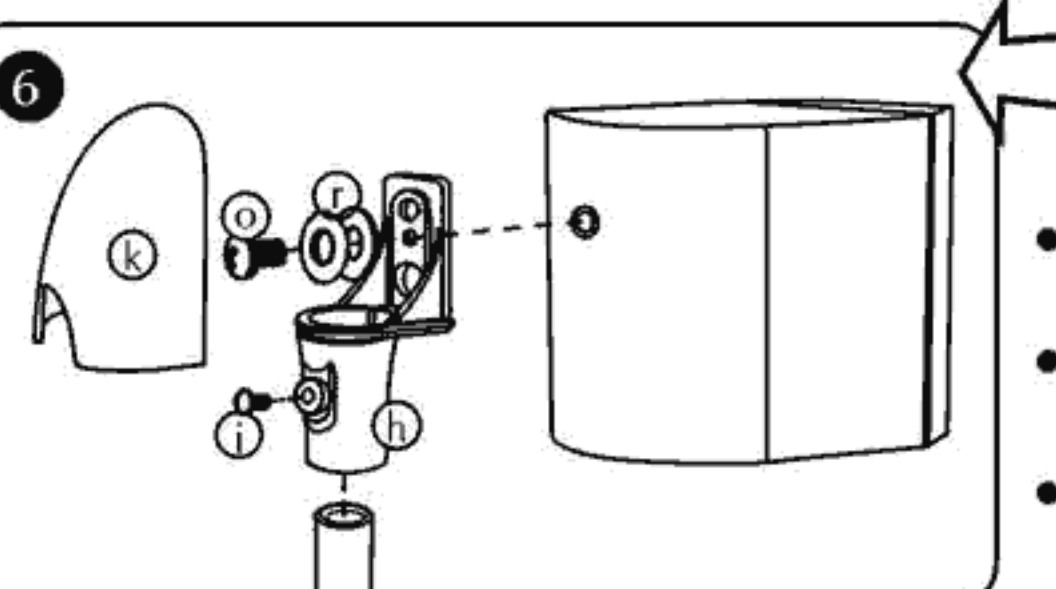
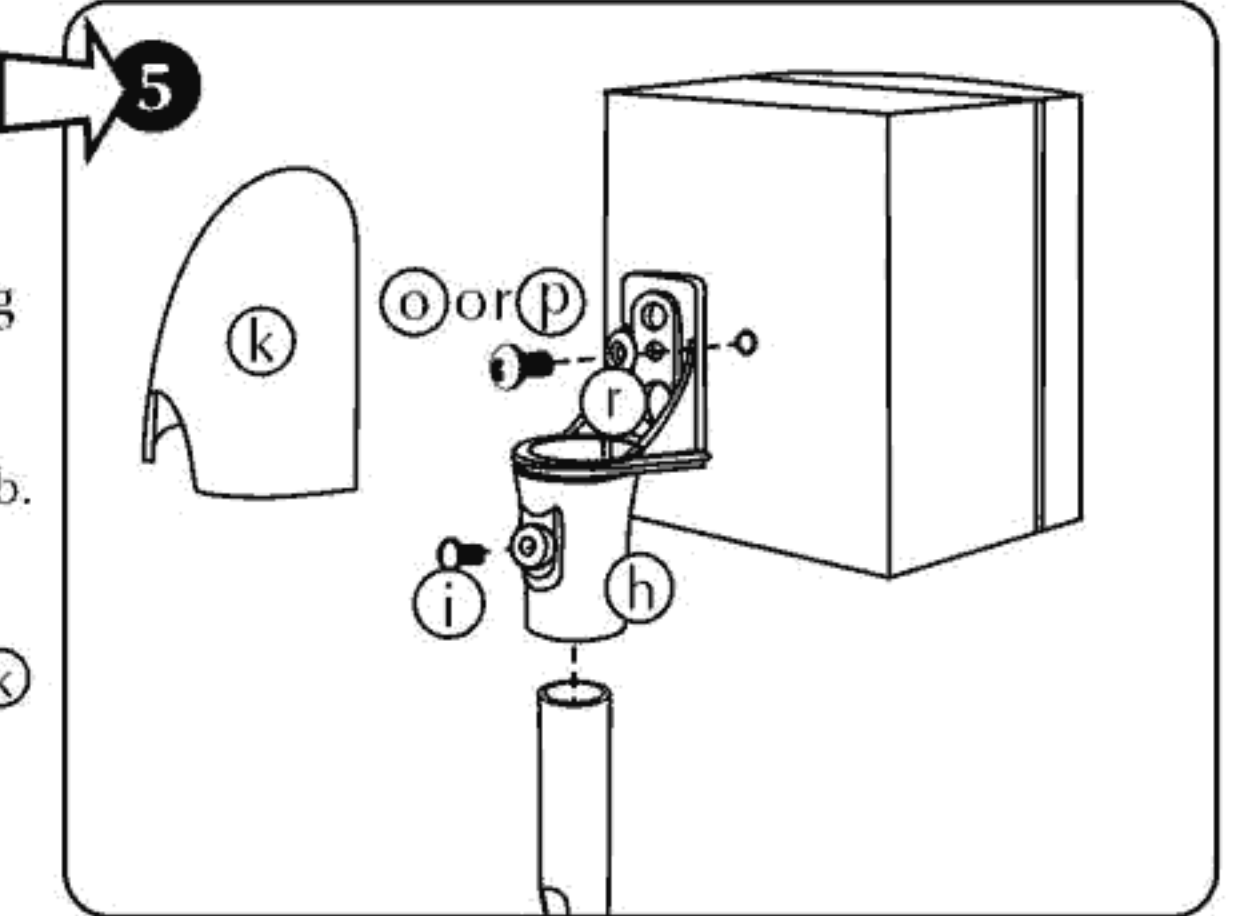
| | | | |
|--|-----------------------------------------------------------------------------------------------|-----------------------|--|
| | (A) METAL BASE | 2 | |
| | (B) TUBE WITH TWIST-LOCK | 2 | |
| | (h) UNIVERSAL BRACKET WITH RETAINING SCREW (i) | 2 | |
| | (k) UNIVERSAL BRACKET COVER | 2 | |
| | (o) M5 x 12 SCREW (p) M5 x 18 SCREW (q) M4 x 20 SCREW (r) M5 WASHER (s) M4 WASHER | 4 4 2 4 4 | |
| | (t) THUMB NUT | 2 | |
| | (U) SPANNER | 1 | |



- FOR LOUDSPEAKERS WITH KEYHOLE TYPE FIXING**
- Secure universal bracket (h) to upright pole using screw (i). The speaker cable should be threaded through pole and bracket as shown in fig 3a. or 3b.
 - Assemble thumbnut (t) washers (s) and M4 screw (q) as shown. Attach speaker - if required tighten thumbnut. Install bracket cover cap (k) if required.



- FOR LOUDSPEAKERS WITH THREADED HOLE**
- Secure universal bracket (h) to upright using screw (i) The speaker cable should be connected to the speaker and threaded through the upright as shown in fig 3a or 3b. The speaker should be fixed to bracket (h) using washer (r) and either screw (o) or (p) depending on speaker type. Fit cover cap (k) if required.



- BOSE ACOUSTIMASS LOUDSPEAKERS**
- Attach universal bracket (h) to pole using screw (i). Feed cable down pole as shown in fig 3a or 3b.
 - Attach loudspeaker to bracket using screw (i) and washers (r).
 - If required attach universal cover cap (k).