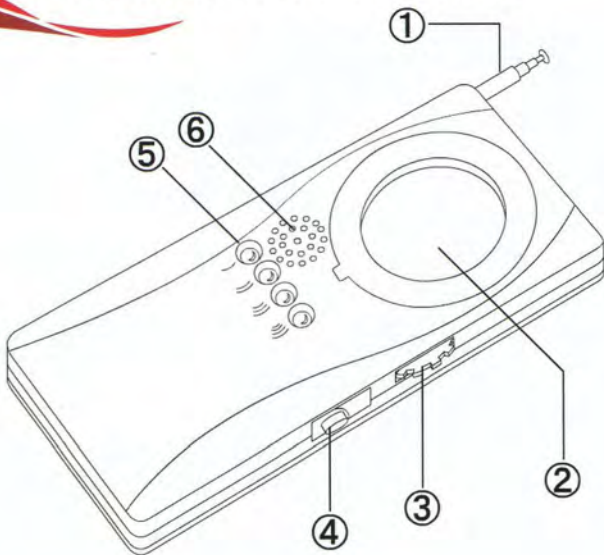




Laser wireless multifunctional detector



Function overview



① Antenna

② IR filters

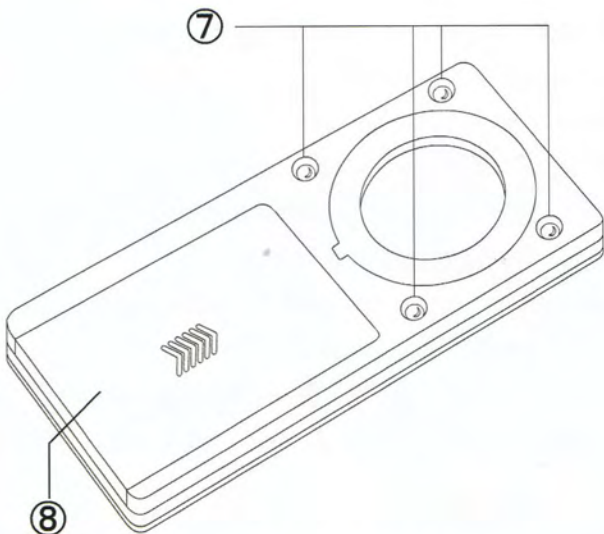
③ Sensitivity adjusting

④ OFF : power off

🔊 : Turn on alarm function of detection

🔊 : Turn on vibration function of detection

👁️ : Turn on IR laser detecting function



⑤ Detection indication led light


⑥ Loudspeaker

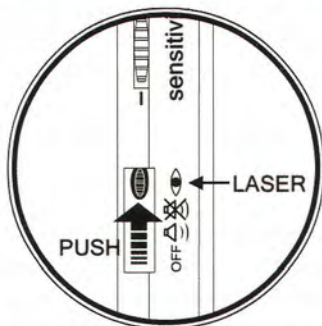
⑦ IR laser light * 4

⑧ Battery slot / 4AAA battery * 2

Operation Guide

IR Laser detector:

1. Push the switch to  to start IR laser detector.



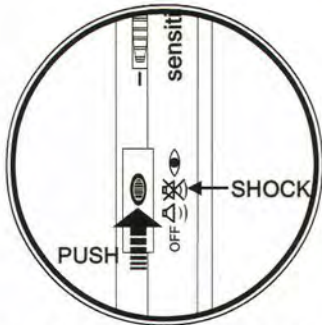
2. Aim at the doubtful target, if there is a light point, maybe it is a pinhole camera.



- 🔊 : Alarm indication
🔊 : Vibration indication
OFF : Off

Wireless scan detector:

1. Push the switch to 🔊) or 🔊) to start wireless scan detector.
2. Adjust the sensitive till the first green light flash, and then start to detect the around condition.



3. The green led will be on one by one which indicates the wireless signal is from weak to strong. When all lights become on, and alarm or vibration ringing that means target was found.



Specification

Laser detecting distance: 10cm-10m(can see IR flash)

Electronic wave detecting distance: 5cm-10m(according as the transmitting power of the camera)

50mw-200mw detecting distance will be 30-50cm

300mw-600mw detecting distance will be 100-200cm

800mw-1200mw detecting distance will be 300-800cm

Detecting indication mode:

1. If IR laser flash,that means the target was found
2. Vibration indication detecting
3. Sound Alarm indication detecting
4. According the signal from weak to strong to find the target directly

Automatic detecting function:

This unit will remind you via vibration if there is pinhole camera or other wiretap equipment around you.

Electronic wave sensitivity adjusting:

4 sects LED indication. Adjust the high sensitivity to make the detecting range wider, and adjust the sensitivity to be low in order to make the detection range shorter.

Power supply: 1.5V, AAA X 2

Consumption current: 8mA

Detecting wave distance:920nm

Receiving range: 1MHz~6500MHz

Optic Lens: professional IR lens

Material:ABS

Dimension:108mm X 48mm X 18mm

Weight:50g