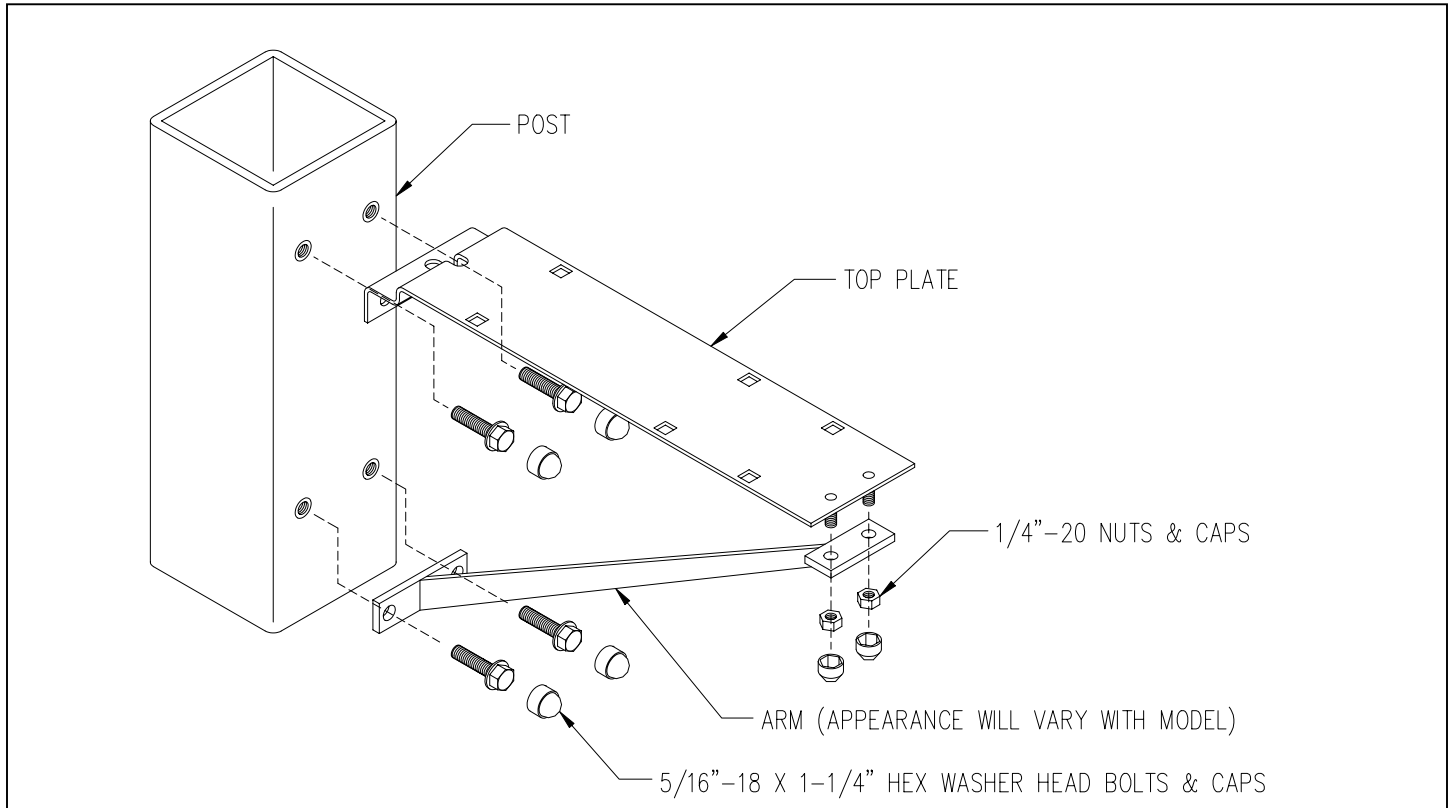


# Decorative Mailbox Posts – 4800 Series

## Decorative Arm Post Installation Instructions

### Installing Arm on a Decorative Post

Thank you for selecting Salsbury's 4800 series decorative mailbox post. We are confident that the quality and construction of the post will prove to be a good investment.



This assembly instruction is for the decorative post only, including models 4825, 4826, 4835, 4836, 4845, and 4846.

See the installation instructions for the mailbox to install the mailbox on the post. The hardware kit #4800-B for mounting the mailbox is included with this post.

The decorative post should be mounted on the concrete pad or in the ground before proceeding with assembly of the top plate and arm. See separate instructions for the post mounting process.

The top plate and arm must be assembled to the post as shown in the illustration. Install two 5/16"-18 x 1-1/4" long hex washer head bolts through the two holes in the rear flange of the top plate into the upper two tapped holes in the decorative post. Leave the bolts loose.

Position the arm so that the two studs in the front of the top plate protrude through the holes in the front of the arm. Install two more 5/16"-18 x 1-1/4" long hex washer head bolts through the two holes in the lower rear flange of the arm into the lower two tapped holes in the decorative post. Also leave these bolts loose.

Install the two 1/4"-20 nuts on the studs at the front of the top plate after ensuring that the two studs are aligned through the holes in the front of the arm.

Securely tighten the four bolts and the two hex nuts. Attach the appropriate plastic cover caps to the four bolts and the two nuts.

Proceed to install the mailbox.

[www.Communitymailboxes.com](http://www.Communitymailboxes.com)

Phone: 1 888 863 1040 Fax : 1 707 265 0206

Installation instructions are provided as general guidelines. It is advised that a professional installer be consulted. Communitymailboxes assumes no product assembly or installation liability

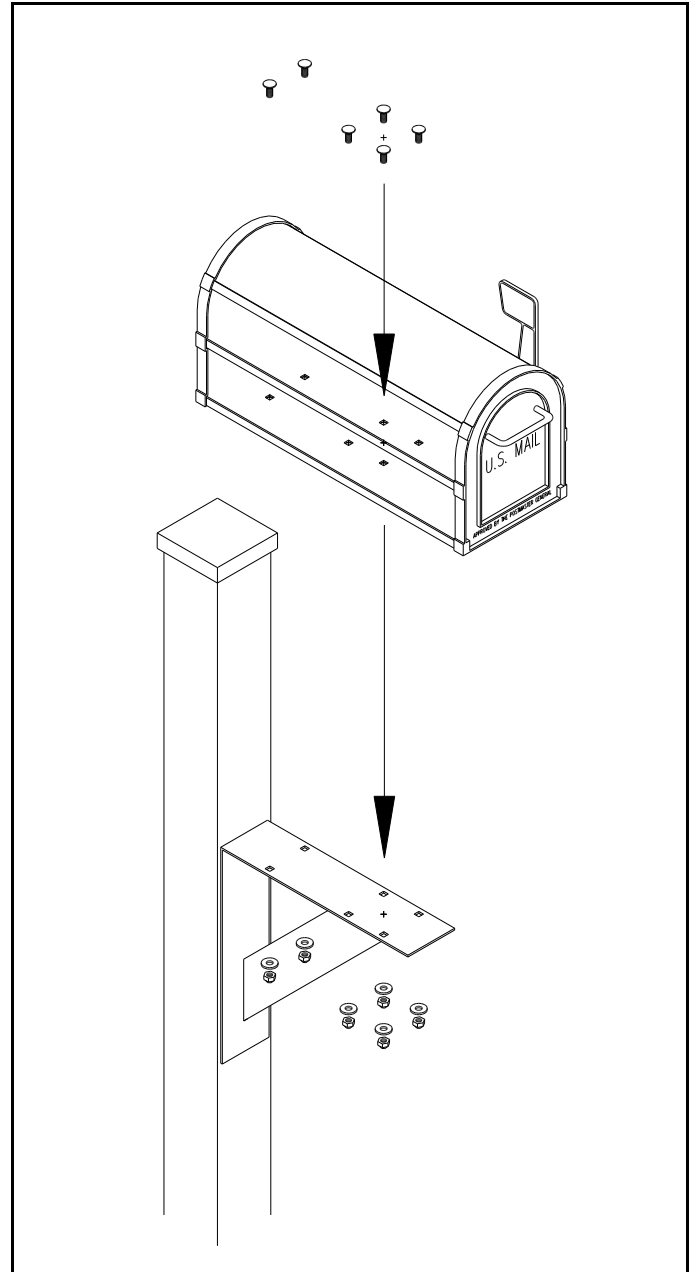
# Decorative Mailbox Posts – 4800 Series Installation Instructions

## Installing Mailbox on a Decorative Post

Thank you for selecting Salsbury's decorative mailbox post. We are confident that the quality and construction of the post will prove to be a good investment. This instruction sheet is for installing the Salsbury 4850 mailbox on a Salsbury decorative mailbox post.

When you install a curbside or rural mailbox, make sure that it is easily accessible to the mail carrier. By regulation it should be 41" to 45" from the ground or street surface up to the inside floor of the mailbox. The door should be set back 6" to 8" back from the front face of the curb or the road edge. However, you should check with your local postmaster to ensure that the mailbox is installed according to local regulations.

The mounting plate on the decorative post has six (6) plain holes. Set the mailbox on the mounting plate, open the door, and insert the six (6) 5/16" carriage bolts supplied with the mailbox into the six (6) holes in the floor of the mailbox. Install the 5/16" flat washers and 5/16" acorn nuts on the ends of the six (6) bolts protruding below the bottom of the post mounting plate.



[www.Communitymailboxes.com](http://www.Communitymailboxes.com)

Phone: 1 888 863 1040 Fax : 1 707 265 0206

Installation instructions are provided as general guidelines. It is advised that a professional installer be consulted. Communitymailboxes assumes no product assembly or installation liability

# Decorative Mailbox Posts – 4800 Series

## In-Ground Mounted Post Installation Instructions

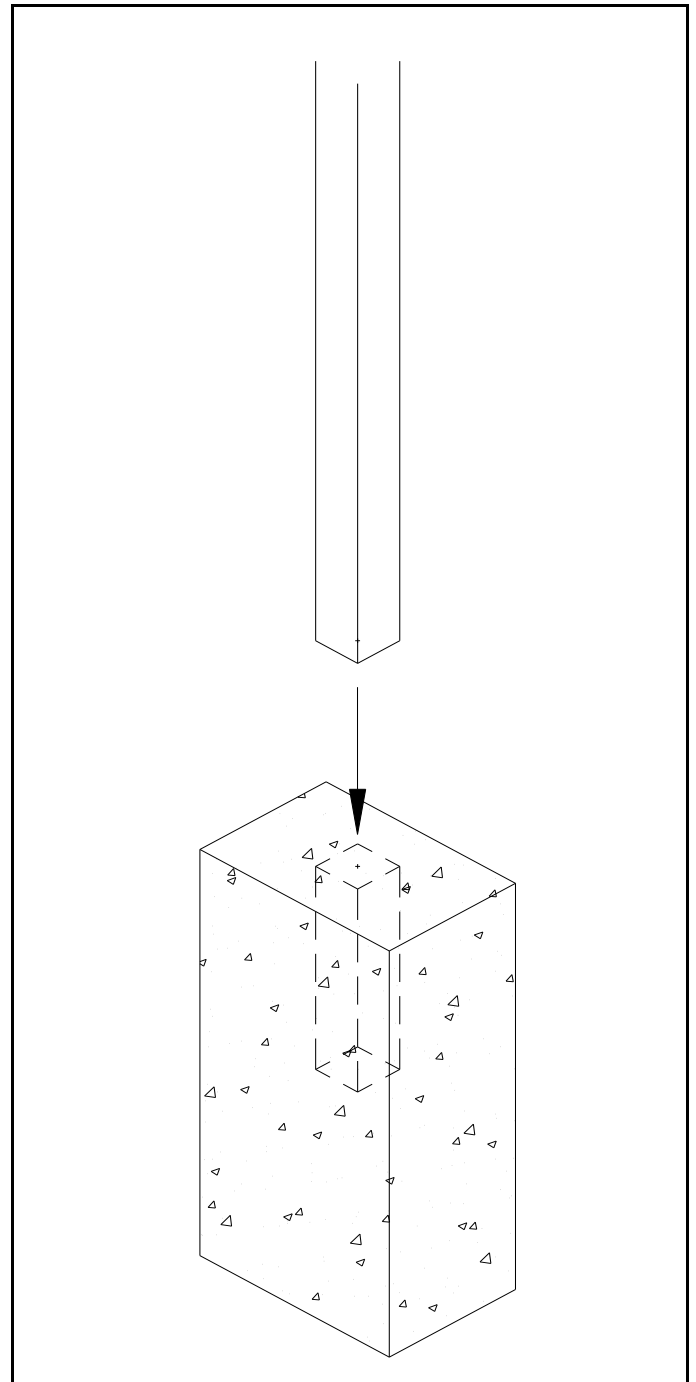
### Installing the In-Ground Mounted Post for the Mailbox Into Concrete

When you install a curbside or rural mailbox, make sure that it is easily accessible to the mail carrier. By regulation it should be 41" to 45" from the ground or street surface up to the inside floor of the mailbox. The door should be set back 6" to 8" back from the front face of the curb or the road edge. However, you should check with your local postmaster to ensure that the mailbox is installed according to local regulations.

Dig the hole for the concrete footing, and prepare the concrete. You will need approximately 4-1/2 cubic feet. The top surface of the footing should be about 12" by 18" and extend 36" into the ground. See the illustration for the relative position of the rectangular footing to the post and mailbox. The bottom of the hole for the concrete footing should be filled with about 6" of gravel to promote drainage under the post. The top of the footing should be sloped for water runoff.

The concrete must be below the frost line. Otherwise the post will move when the ground freezes. Be careful not to puncture water, sewer, or gas lines when digging holes for footing.

Set the post in the hole and fill the hole with the prepared concrete mix. Prod the mix with a stick while filling to reduce any air pockets. If you want to conceal the concrete, pour it to within a few inches of the top of the hole and cover with soil after the concrete has set. Use a carpenter's level on the sides of the post to ensure that the post is aligned vertically. Periodically check the vertical alignment of the post as the concrete is curing.



[www.Communitymailboxes.com](http://www.Communitymailboxes.com)

Phone: 1 888 863 1040 Fax: 1 707 265 0206

Installation instructions are provided as general guidelines. It is advised that a professional installer be consulted. Communitymailboxes assumes no product assembly or installation liability