

# Townhouse Mailboxes – 4560

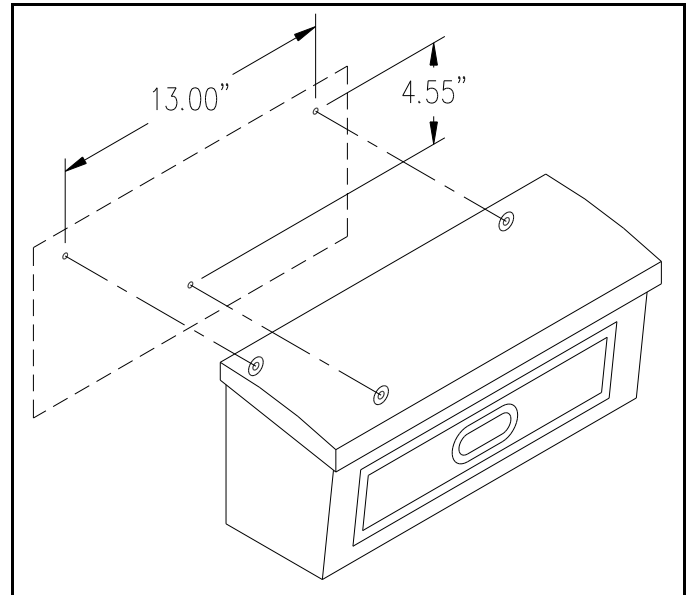
## Surface Mounted Installation Instructions

Made of cast aluminum, Salsbury 4560 townhouse surface-mounted mailboxes feature a durable powder-coated finish and will provide years of maintenance free service.

### Mounting the Townhouse Mailbox to a Flat Wall

1. The installation fasteners are not provided due to the variation in wall types to which the mailbox might be mounted. Select fasteners and anchors appropriate for the type of wall. 1/4" diameter flat-head screws provide the strongest and best fit.
2. It is best to shield the mailbox from direct weather conditions.
3. Mounting access is provided by opening the box lid.
4. Contact your local U.S.P.S. office for the required height of the mailbox on the wall.
5. Holding the mailbox aligned horizontally in the mounting position, mark on the wall the position of the three mounting holes in the back wall of the mailbox.
6. Remove the mailbox and install three anchors, if used.
7. Holding the mailbox on the wall, install and securely tighten the three (3) fasteners. Use a right-angle screwdriver or ratchet with screwdriver bit to install the lower screw.

### 4560 Townhouse Mailbox



### Cleaning

**Interior & Painted Exterior** – Using a soft cloth or sponge, clean the interior and exterior of the mailbox with liquid soap, detergent, or diluted water-soluble household cleaners. Completely remove residue of any cleaning products with water and thoroughly dry with a clean cloth.

[www.Communitymailboxes.com](http://www.Communitymailboxes.com)

Phone: 1 888 863 1040 Fax : 1 707 265 0206

Installation instructions are provided as general guidelines. It is advised that a professional installer be consulted. Communitymailboxes assumes no product assembly or installation liability