

# Stainless Steel Mailboxes – 4515 and 4525 Decorative Style Installation Instructions

Made of stainless steel sheet with a brushed satin finish, Salsbury 4515 and 4525 decorative stainless steel mailboxes will provide years of maintenance free service. While the hole locations differ, the mounting method is the same for both the 4515 and 4525 mailboxes.

## Mounting Mailbox to a Flat Wall

1. The installation fasteners are not provided due to the variation in wall types to which the mailbox might be mounted. Select fasteners and anchors appropriate for the type of wall.
2. Mounting access is provided by opening the lid.
3. Where possible, it is best to shield the mailbox from direct weather conditions.
4. Contact your local U.S.P.S. office for the required height of the mailbox on the wall.
5. Holding the mailbox aligned horizontally in the mounting position, mark on the wall the position of the 4 mounting holes in the back wall of the mailbox. The 4 dimpled holes are the mounting holes.
6. Attach the mailbox to the wall using the appropriate fasteners.

## Attaching Privacy Panel to Mailbox (optional)

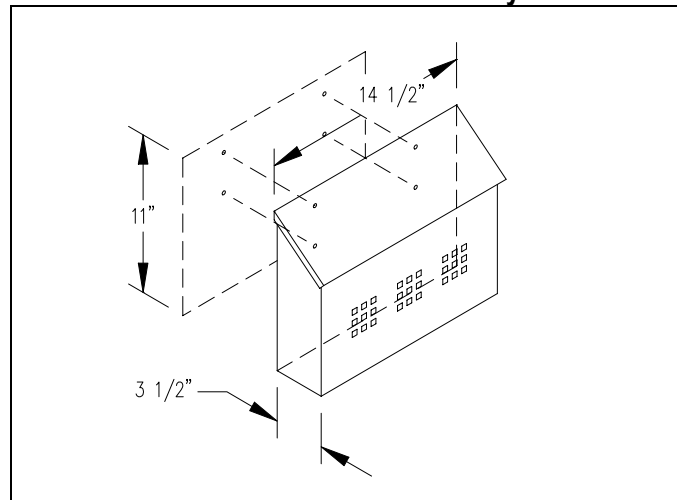
1. Place an adhesive backed square on each corner of the privacy panel.
2. Insert the privacy panel through the top opening with the adhesive backed squares towards the front of the mailbox.
3. Center the privacy panel prior to permanently adhering it to the mailbox.

## Cleaning

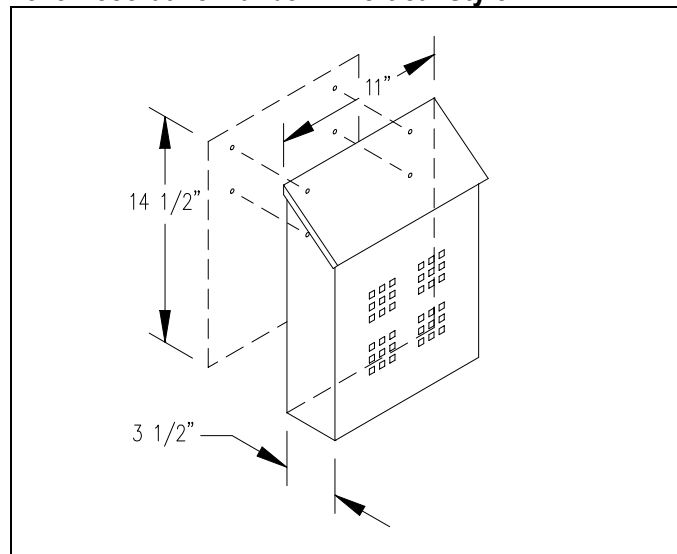
**Interior** – Using a soft cloth or sponge, clean the interior of the stainless steel mailbox with liquid soap, detergent, or diluted water-soluble household cleaners. Completely remove residue of any cleaning products with water, and thoroughly dry with a clean cloth or paper towel.

**Exterior** – The exterior surface of the mailbox may be cleaned as indicated above. Be sure to scrub and polish satin finish materials in the same direction as the grain of the stainless steel. **DO NOT** use abrasive materials on stainless steel surfaces.

## 4515 Decorative Mailbox – Horizontal Style



## 4525 Decorative Mailbox – Vertical Style



[www.Communitymailboxes.com](http://www.Communitymailboxes.com)

Phone: 1 888 863 1040 Fax : 1 707 265 0206

Installation instructions are provided as general guidelines. It is advised that a professional installer be consulted. Communitymailboxes assumes no product assembly or installation liability