

Antique Brass Mailboxes – 4415 and 4425 Decorative Style Installation Instructions

Made of solid brass with a handcrafted antique finish, Salsbury 4415 and 4425 decorative antique brass mailboxes will provide years of maintenance free service. While the hole locations differ, the mounting method is the same for both the 4415 and 4425 mailboxes.

Mounting Mailbox to a Flat Wall

1. The installation fasteners are not provided due to the variation in wall types to which the mailbox might be mounted. Select fasteners and anchors appropriate for the type of wall.
2. Mounting access is provided by opening the lid.
3. Where possible, it is best to shield the mailbox from direct weather conditions.
4. Contact your local U.S.P.S. office for the required height of the mailbox on the wall.
5. Holding the mailbox aligned horizontally in the mounting position, mark on the wall the position of the 2 mounting holes in the back wall of the mailbox.
6. Attach the mailbox to the wall using the appropriate fasteners.

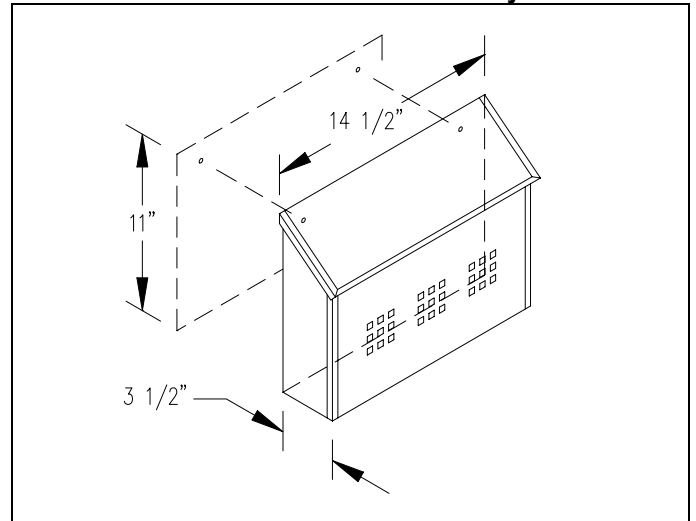
Attaching Privacy Panel to Mailbox (optional)

1. Place an adhesive backed square on each corner of the privacy panel.
2. Insert the privacy panel through the top opening with the adhesive backed squares towards the front of the mailbox.
3. Center the privacy panel prior to permanently adhering it to the mailbox.

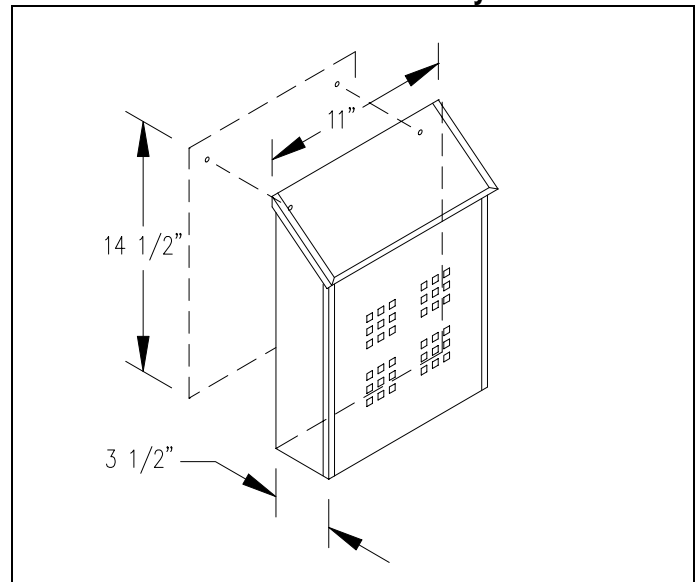
Cleaning

Use a non-abrasive mild cleaning solution and a soft cloth. Do not use harsh chemicals on or around this product.

4415 Decorative Mailbox – Horizontal Style



4425 Decorative Mailbox – Vertical Style



www.Communitymailboxes.com

Phone: 1 888 863 1040 Fax: 1 707 265 0206

Installation instructions are provided as general guidelines. It is advised that a professional installer be consulted. Communitymailboxes assumes no product assembly or installation liability