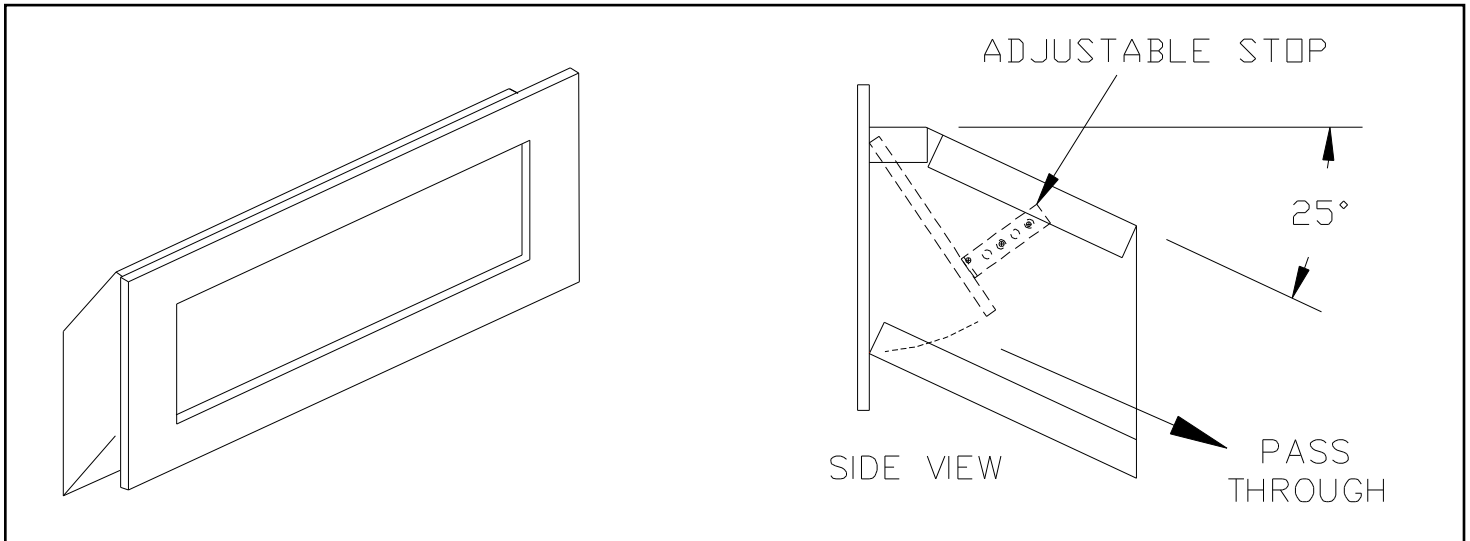


Mail Drops – 2255

Installation Instructions

Thank you for selecting Salsbury's Mail Drop 2255. With its rugged 20 gauge steel construction, 1/4" thick aluminum front panel & flap and a durable powder coated finish, Salsbury's 2255 Mail Drop will provide years of maintenance free service.

Model 2255 Mail Drop



Note: A receptacle (#2256) is sold separately.

#2255 Overall Dimensions: 14"W x 7"H x 6"D

#2255 Rough Opening Dimensions: 12-1/4"W x 5-1/2"H

1. Hold unit up on wall at desired height.
2. Mark the unit's location on the wall. Cut out the rough opening in the wall (12-1/4"W x 5-1/2"H).
3. Frame the opening and replace any framing/blocking that has been cut.
4. Place unit in the opening and secure to the framing by drilling screws from the inside of the mail drop through the side of the walls and into the framing.

www.Communitymailboxes.com

Phone: 1 888 863 1040 Fax : 1 707 265 0206

Installation instructions are provided as general guidelines. It is advised that a professional installer be consulted. Communitymailboxes assumes no product assembly or installation liability

Mail Drops - Receptacle – 2256

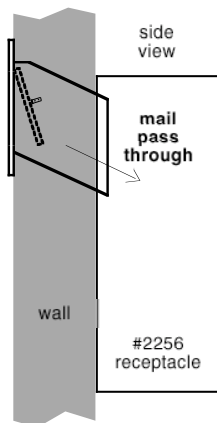
Installation Instructions

Thank you for selecting Salsbury's Mail Receptacle 2256. With its rugged all aluminum construction, Salsbury 2256 Receptacle will provide years of maintenance free service.

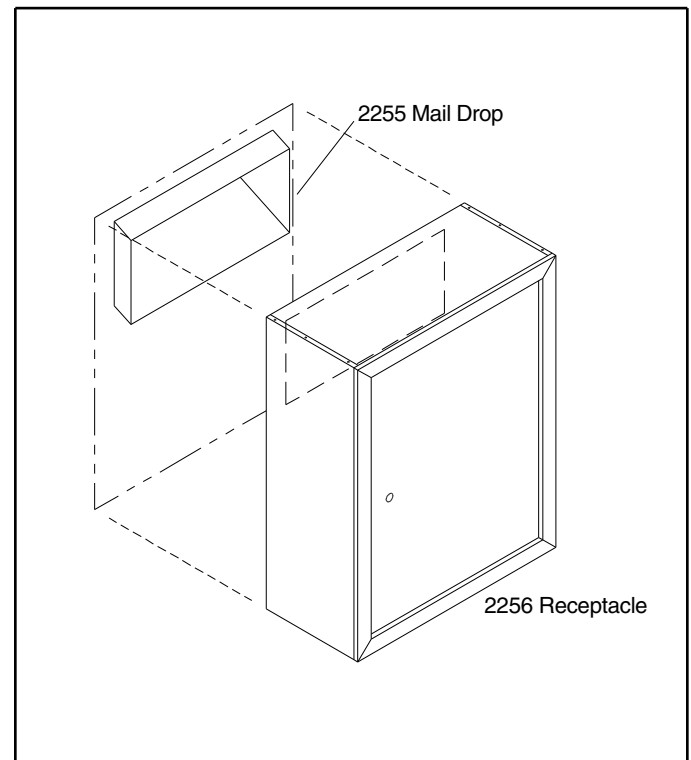
Installation

Units are surface mounted and mount directly to a flat surface and are secured with mounting hardware through the back panel.

1. Mail receptacles (2256) are designed to align with a mail drop (2255) through the rear opening.
2. Mounting access is provided by opening door. Use appropriate anchors and screws. Due to variation in wall types, mounting hardware is not provided.



Model 2256 Receptacle



Note: Mail drops (#2255) are sold separately.

Receptacle Overall Dimensions

15"W x 19"H x 7-1/2" D

Rear Opening Dimensions

12"W x 6"H

www.Communitymailboxes.com

Phone: 1 888 863 1040 Fax : 1 707 265 0206

Installation instructions are provided as general guidelines. It is advised that a professional installer be consulted. Communitymailboxes assumes no product assembly or installation liability