

Fashion Bed Group

A Division of Leggett & Platt Incorporated
5950 West 51st Street - Chicago, IL 60638

Parts List For Euro Bed

HEADBOARD CARTON

- (1) HEADBOARD PANEL-1
- (11) WOOD SLATS-32

FOOTBOARD CARTON

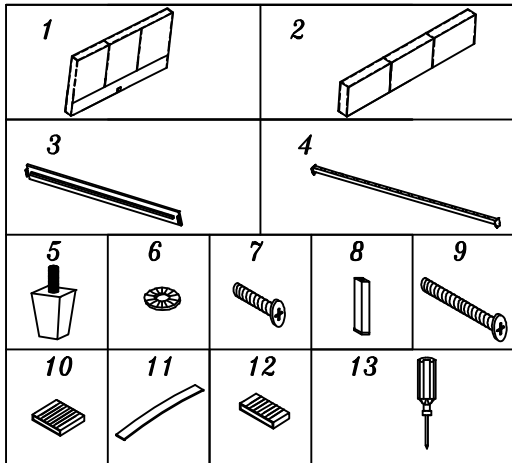
- (2) FOOTBOARD PANEL-1
- (5) WOOD LEGS-4

SIDE RAIL CARTON

- (3) SIDE RAILS-2
- (4) CENTER SUPPORT-1
- (8) SUPPORT LEG-1
- (10) DOUBLE END PLASTIC CAPS-16
- (12) SINGLE END PLASTIC CAPS-32
- (13) PHILLIPS SCREWDRIVER-1

PART #364801 HARDWARE BAG FOR BED

- (6) 1 7/8" DIA. PLASTIC WASHERS-4 (COME PRE-INSERTED)
- (7) 6MM X 1" PHILLIPS HEAD SCREW-8 (COME PRE-ASSEMBLED)
- (8) SUPPORT LEG-1
- (9) 6MM X 2 3/4" PHILLIPS HEAD SCREW-1 (COME PRE-ASSEMBLED)



FOR ASSISTANCE IN ASSEMBLY ONLY OF THIS PRODUCT, CALL OUR HELP DESK AT 1-800-324-3415, BETWEEN 8:30 AM & 4:30 PM CENTRAL TIME MONDAY THRU FRIDAY. PLEASE HAVE THE STYLE NUMBER AVAILABLE BEFORE YOU CALL. (STYLE # OR NAME CAN BE FOUND ON PACKING CARTON OR SALES RECEIPT.) OUR PRODUCT IS INSPECTED TO ENSURE IT IS IN GOOD CONDITION. IF YOUR FURNITURE APPEARS TO HAVE BEEN DAMAGED IN SHIPMENT OR YOU ARE IN NEED OF REPLACEMENT PARTS PLEASE CONTACT THE DEALER FROM WHOM YOU PURCHASED THE PRODUCT.

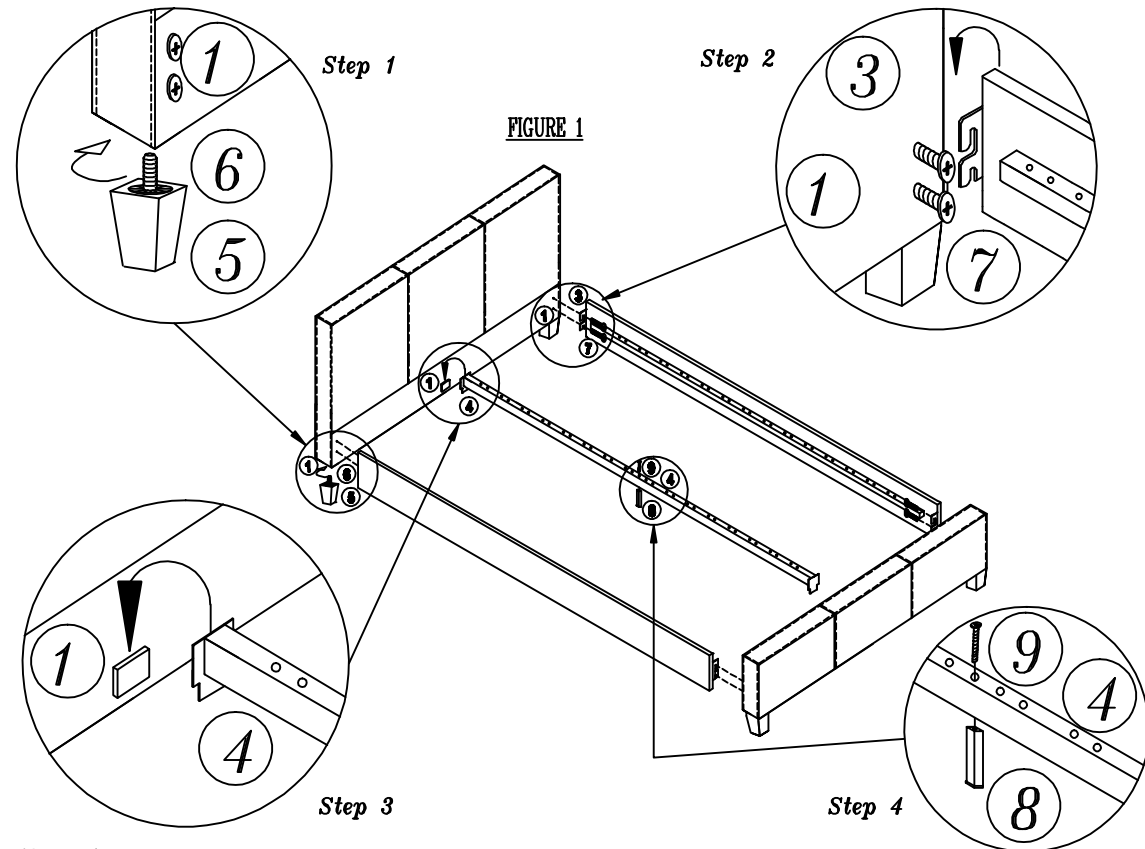
Instruction Sheet

SAVE ALL PACKAGING MATERIALS UNTIL PRODUCT IS FULLY ASSEMBLED. HARDWARE AND SMALL PIECES MAY NOT BE SEEN AND BE ACCIDENTALLY DISCARDED WITH PACKAGING MATERIALS.

Step 1 •Screw wood leg (5) under headboard panel (1) and footboard panel (2). See Figure 1

Step 2 •To secure the side rails (3) to headboard panel (1) using screwdriver (13),loosen screw (7) attachet to the headboard panel by 3 or 4 turns,place metal bracket of side rail (3) over screws (7) hand tighten. DO NOT TIGHTEN all the way. Repeat on other side of the headboard and footboard panel (2).

See Figure 1



Step 3 •Insert center support rail (4) into metal pocket on headboard and footboard panel. See Figure 1

•Now tighten all the screws (7) using screwdriver (13).

Step 4 •Remove screw (9) from support leg (8) place support leg under center support and secure with screw (9). See Figure 1

- Step 5 • Insert double end cap (10) on center support rail (4) by pressing down into pilot holes in rail. See Figure 2
- Step 6 • Insert wood slats (11) in double end caps (10). See Figure 2
- Step 7 • Insert end caps (12) on slats (11). See Figure 2
- Step 8 • Insert single end caps (12) in pilot holes in wood side rail (5). See Figure 2

