

# Fashion Bed Group

A Division of Leggett & Platt Incorporated  
 5950 West 51st Street - Chicago, IL 60638

## Part List For Bianca Bed

### BED CARTONS

#### GRILLS BOX

(5) GRILL (2)

PART #363701 HARDWARE BAG FOR BED FRAME MOUNTING

- (1) 6MM X 3 1/2" FLAT ALLEN HEAD SCREW-8
- (2) 6MM HEX NUT-8
- (3) 5/8" OD FLAT METAL WASHER-16
- (4) ALLEN WRENCH

#### POST BOX

- (6) HEADBOARD POST(2)
- (7) FOOTBOARD POST(2)
- (8) FINIALS -4 #363705

PART #363702 HARDWARE BAG FOR BED GRILLS ASSEMBLY TO POSTS

- (1) 6MM X 3 1/2" FLAT ALLEN HEAD SCREW-8
- (4) ALLEN WRENCH

### HEADBOARD CARTONS

#### GRILL BOX

(5) GRILL (1)

PART #363703 HARDWARE BAG FOR HEADBOARD FRAME MOUNTING

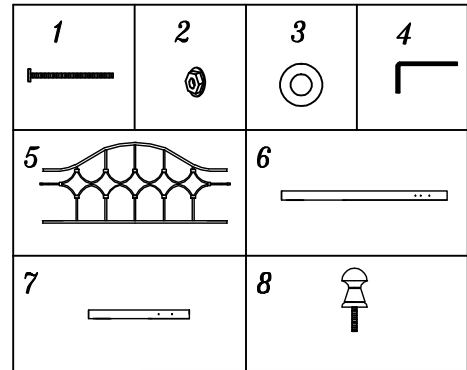
- (1) 6MM X 3 1/2" FLAT ALLEN HEAD SCREW-4
- (2) 6MM HEX NUT-4
- (3) 5/8" OD FLAT METAL WASHER-8
- (4) ALLEN WRENCH

#### POST BOX

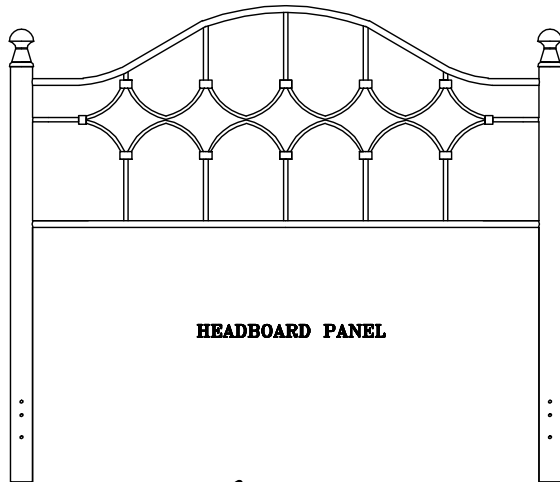
- (6) HEADBOARD POST(2)
- (8) FINIALS -2 #363705

PART #363704 HARDWARE BAG FOR BED GRILL ASSEMBLY TO POSTS

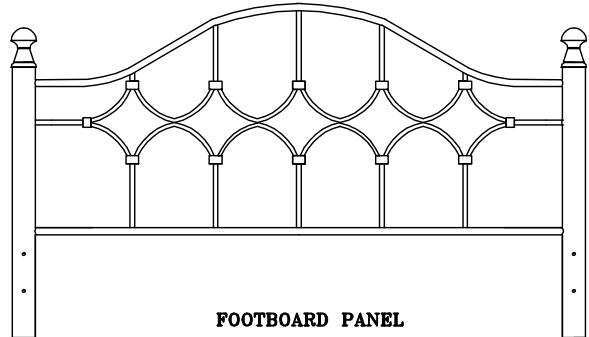
- (1) 6MM X 3 1/2" FLAT ALLEN HEAD SCREW-4
- (4) ALLEN WRENCH



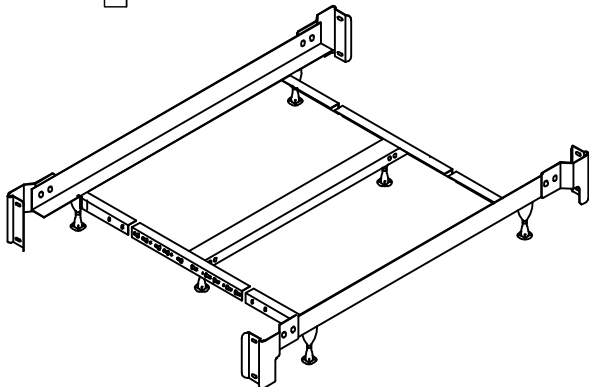
## PRODUCT FULLY ASSEMBLED



HEADBOARD PANEL

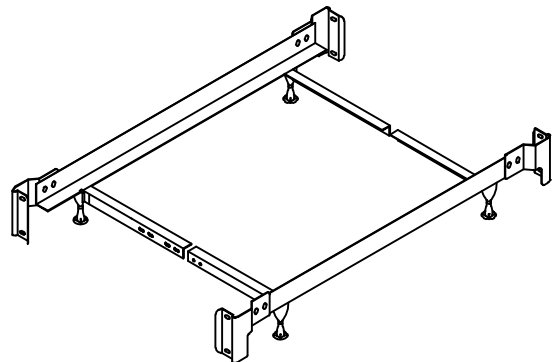


FOOTBOARD PANEL



QUEEN - KING FRAME FULLY ASSEMBLED

NOTE: SEE INSTRUCTIONS INCLUDED IN FRAME CARTON FOR FRAME ASSEMBLY



TWIN - FULL FRAME FULLY ASSEMBLED

NOTE: SEE INSTRUCTIONS INCLUDED IN FRAME CARTON FOR FRAME ASSEMBLY

FOR ASSISTANCE IN ASSEMBLY ONLY OF THIS PRODUCT. CALL OUR HELP DESK AT 1-800-324-3415, BETWEEN 8:30 AM & 4:30 PM CENTRAL TIME MONDAY THRU FRIDAY. PLEASE HAVE THE STYLE NUMBER AVAILABLE BEFORE YOU CALL. (STYLE # OR NAME CAN BE FOUND ON PACKING CARTON OR SALES RECEIPT.) OUR PRODUCT IS INSPECTED TO ENSURE IT IS IN GOOD CONDITION. IF YOUR FURNITURE APPEARS TO HAVE BEEN DAMAGED IN SHIPMENT OR YOU ARE IN NEED OF REPLACEMENT PARTS PLEASE CONTACT THE DEALER FROM WHOM YOU PURCHASED THE PRODUCT.

# Instruction Sheet

SAVE ALL PACKAGING MATERIALS UNTIL PRODUCT IS FULLY ASSEMBLED. HARDWARE AND SMALL PIECES MAY NOT BE SEEN AND BE ACCIDENTALLY DISCARDED WITH PACKAGING MATERIALS.

FIGURE 1

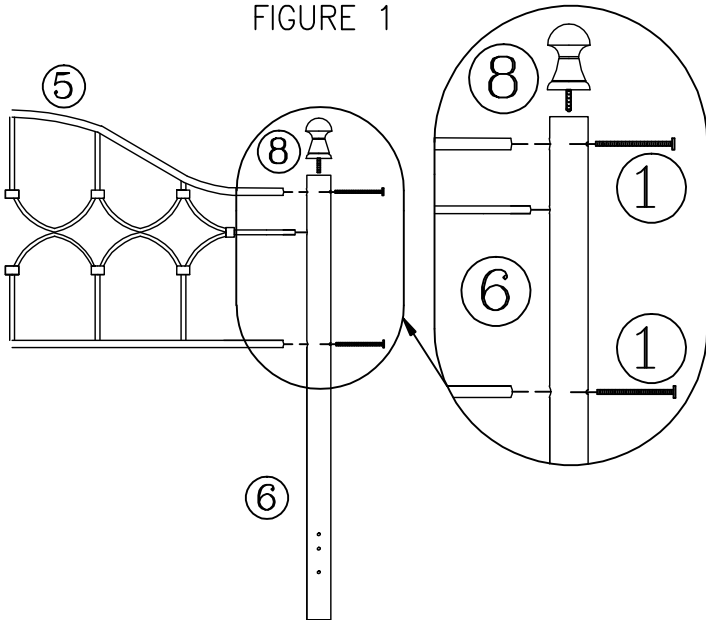


FIGURE 2

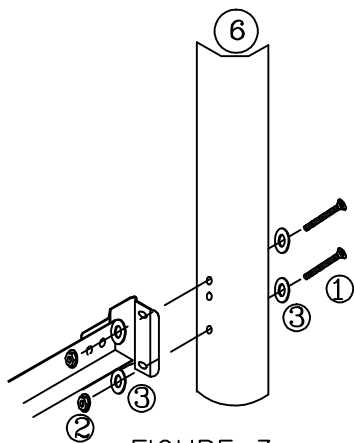
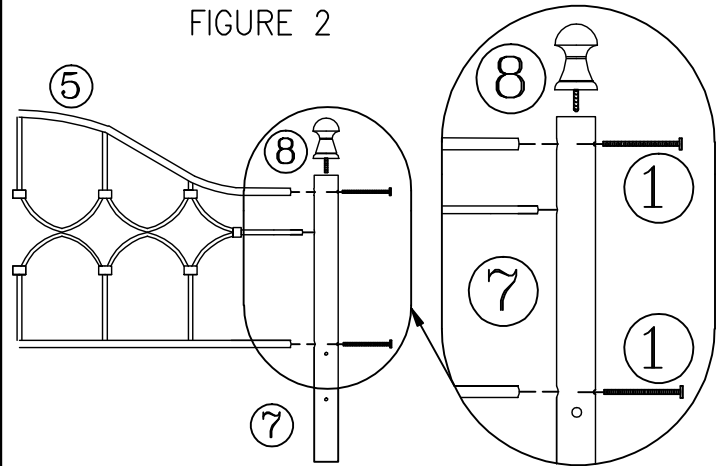


FIGURE 3

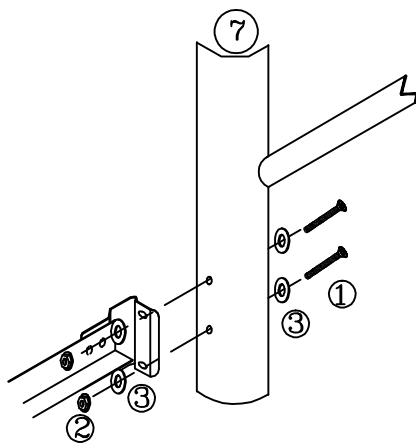


FIGURE 4

## Step 1

- Align grill (5) rails ends with holes in headboard post (6). (See Figure 1)
- Secure post (6) to grill (5) with screws (1). See Figure 1
- Repeat on other side of headboard panel.
- Tighten all screws securely using the Allen wrench (4).
- Repeat same step for assembly of footboard panel. (See Figure 2)
- Screw finial (8) on top of headboard post (6) and footboard Post (7). See figure 1-2

## Step 2

- Place headboard and frame in desired location in room.
- Place 2 washers (3) over screws (1) insert through holes located in post (6). (See Figure 3)
- **Align bed frame bracket over screws.**
- Place a washer (3) first and then a nut (2) on each screw. Hand, DO NOT TIGHTEN screws all the way.
- Repeat on other side of headboard.
- Tighten all screws securely using the Allen wrench (4).

## Step 3

- Position footboard panel and align holes in the post (7) with holes in the frame bracket. See Figure 4
- Place 2 washers (3) over screws (1) insert through holes located in post (7). (See Figure 4)
- **Align bed frame bracket over screws.**
- Place a washer (3) first and then a nut (2) on each screw. Hand, DO NOT TIGHTEN screws all the way.
- Repeat on other side of footboard.
- Tighten all screws securely using the Allen wrench (4).