

 **Fashion Bed Group**
A Division of Leggett & Platt Incorporated
5950 West 51st Street - Chicago, IL 60638

Part List For Springhill Full, Queen & King Beds

PART #312101 HARDWARE BAG FOR BED

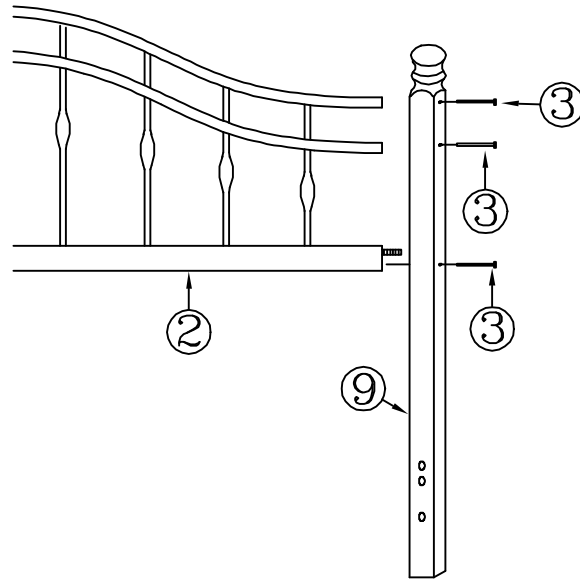
- (5) 1/4-20 X 3 ALLEN HEAD SCREW(4)
- (3) 1/4-20 X 2 3/4 ALLEN SOCKET HEAD SCREW(12)
- (1) 1/4-20 X 1 ALLEN HEAD SCREW(4)
- (8) 1/4-20 HEX NUT(4)
- (7) 1/4" ID FLAT WASHER(8)
- (14) 7/8" OD RUBBER WASHER(8)
- ALLEN WRENCH

PART #312102 HARDWARE BAG FOR HEADBOARD

- (5) 1/4-20 X 3 ALLEN HEAD SCREW(4)
- (3) 1/4-20 X 2 3/4 ALLEN SOCKET HEAD SCREW(6)
- (8) 1/4-20 HEX NUT(4)
- (7) 1/4" ID FLAT WASHER(4)
- (14) 7/8" OD RUBBER WASHER(4)
- ALLEN WRENCH

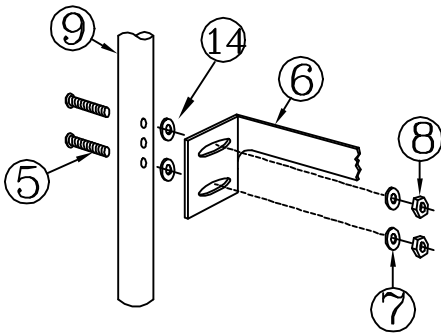
FOR ASSISTANCE IN ASSEMBLY ONLY OF THIS PRODUCT. CALL OUR HELP DESK AT 1-800-324-3415, BETWEEN 8:30 AM & 4:30 PM CENTRAL TIME MONDAY THRU FRIDAY. PLEASE HAVE THE STYLE NUMBER AVAILABLE BEFORE YOU CALL. (STYLE # OR NAME CAN BE FOUND ON PACKING CARTON OR SALES RECEIPT.) OUR PRODUCT IS INSPECTED TO ENSURE IT IS IN GOOD CONDITION. IF YOUR FURNITURE APPEARS TO HAVE BEEN DAMAGED IN SHIPMENT OR YOU ARE IN NEED OF REPLACEMENT PARTS PLEASE CONTACT THE DEALER FROM WHOM YOU PURCHASED THE PRODUCT.

Instruction Sheet



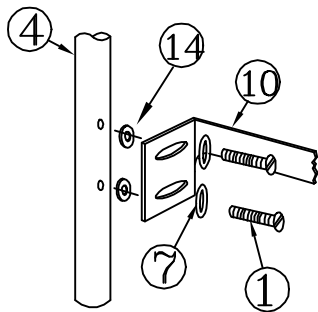
To Attach Posts to Headboard & Footboard Grills

Align holes in post (9) with holes in grill (2). Now insert screws (3) thru holes in post into threaded hole in rails. Do the same in other side. Repeat same instructions in other side. Repeat for the assembly of footboard same steps.



To Attach Headboard to Frame

Using screws, washers and nuts which are included in hardware kit. Place rubber washer (14) between post and frame bracket. Insert screws (5) thru aligned holes on post (9) and frame (6), attach washers (7) with nuts (8) and tighten.



To Attach Footboard to Frame

Remove screws (1) and washers (7) from footboard posts. NOTE: If washers and screws are not in footboard posts, they can be found in a bag in bed post carton. Place rubber washer (14) between post and frame bracket. Align holes in post with holes in frame brackets (10). Insert screw thru washer and frame bracket into post (4). Repeat on other posts. Tighten all connections.

Fashion Bed Group

A Division of Leggett & Platt Incorporated
5950 West 51st Street - Chicago, IL 60638

Part List For Springhill Twin Bed / Trundle

SCREW FINISH "BRASS"

PART #3121T01 HARDWARE BAG FOR BED

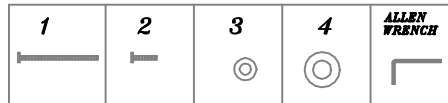
- (1) 1/4-20 X 2 3/4 ALLEN SOCKET HEAD SCREW(12)
- (2) 1/4-20 X 1 ALLEN HEAD SCREW(8)
- (3) 5/8" OD FLAT WASHER(8)
- (4) 15/16" OD RUBBER WASHER(8)
- ALLEN WRENCH



SCREW FINISH "ANTIQUÉ COPPER"

PART #3121T03 HARDWARE BAG FOR CHICORY BLUE & B. RED FINISH BED

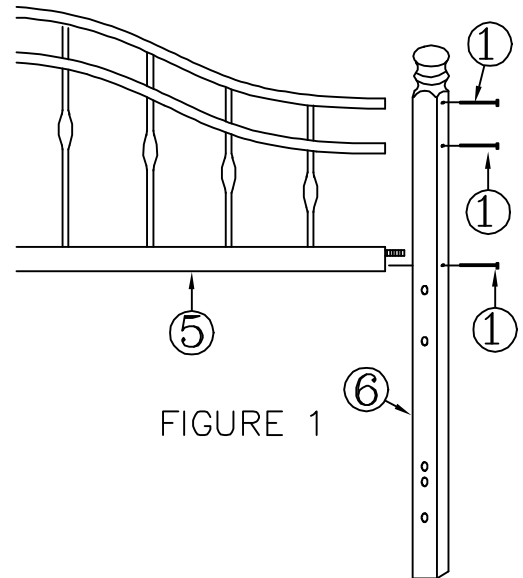
- (1) 1/4-20 X 2 3/4 ALLEN SOCKET HEAD SCREW(12)
- (2) 1/4-20 X 1 ALLEN HEAD SCREW(8)
- (3) 5/8" OD FLAT WASHER(8)
- (4) 15/16" OD RUBBER WASHER(8)
- ALLEN WRENCH



Instructions

Step 1- To Attach Posts to Headboard & Footboard Grills

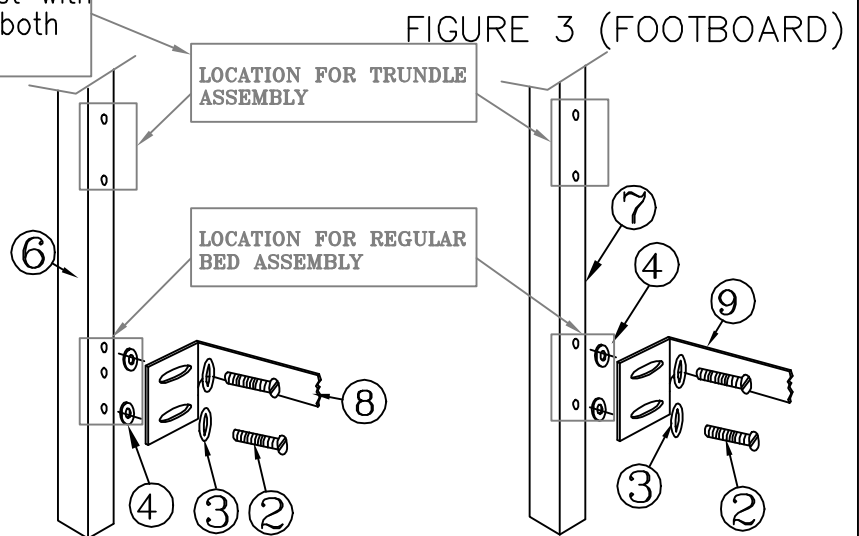
Align holes in post (6) with holes in grill (5). Now insert screws (1) thru holes in post into threaded hole in rails. Do the same with other headboard post assembly. Follow same instructions for footboard assembly. See Figure 1



Step 2- To Attach Headboard & Footboard to Mattress Support System

Align holes in post (6) with holes in frame bracket (8). Place rubber washer (4) between post (6) and frame bracket (8). Insert screw (2) thru washer (3) and frame bracket (8) into post (6). See Fig. 2 Repeat on other posts. Tighten all connections. Follow same instructions for footboard connection. See Fig. 3

Note: If you are going to use this product with a trundle unit, then use upper holes on both panels for mounting the link spring unit.



FOR ASSISTANCE IN ASSEMBLY ONLY OF THIS PRODUCT. CALL OUR HELP DESK AT 1-800-324-3415, BETWEEN 8:30 AM & 4:30 PM CENTRAL TIME MONDAY THRU FRIDAY. PLEASE HAVE THE STYLE NUMBER AVAILABLE BEFORE YOU CALL. (STYLE # OR NAME CAN BE FOUND ON PACKING CARTON OR SALES RECEIPT.) OUR PRODUCT IS INSPECTED TO ENSURE IT IS IN GOOD CONDITION. IF YOUR FURNITURE APPEARS TO HAVE BEEN DAMAGED IN SHIPMENT OR YOU ARE IN NEED OF REPLACEMENT PARTS PLEASE CONTACT THE DEALER FROM WHOM YOU PURCHASED THE PRODUCT.

Fashion Bed Group

A Division of Leggett & Platt Incorporated
5950 West 51st Street - Chicago, IL 60638

Part List For Springhill Twin Headboard

SCREW FINISH "BRASS PLATTED"

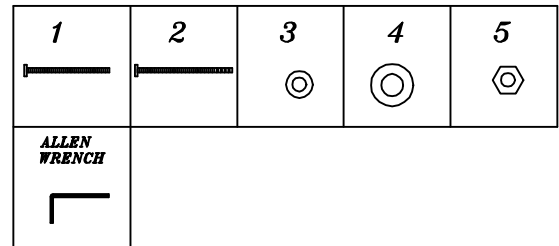
PART #312102 HARDWARE BAG FOR HDBD

- (1) 1/4-20 X 2 3/4 ALLEN SOCKET HEAD SCREW-6
- (2) 1/4-20 X 3 ALLEN HEAD SCREW-4
- (3) 5/8" OD FLAT WASHER-4
- (4) 15/16" OD RUBBER WASHER-4
- (5) 1/4-20 HEX NUT-4

SCREW FINISH "ANTIQUÉ COPPER"

PART #312104 HARDWARE BAG FOR CHICORY BLUE & B. RED HDBD

- (1) 1/4-20 X 2 3/4 ALLEN SOCKET HEAD SCREW-6
 - (2) 1/4-20 X 3 ALLEN HEAD SCREW-4
 - (3) 5/8" OD FLAT WASHER-4
 - (4) 15/16" OD RUBBER WASHER-4
 - (5) 1/4-20 HEX NUT-4
- ALLEN WRENCH



Instructions

Step 1- To Attach Posts to Headboard Grill

Align holes in post (7) with holes in grill (6). Now insert screws (1) thru holes in post into threaded hole in rails. Do the same with other headboard post assembly.

See Figure 1

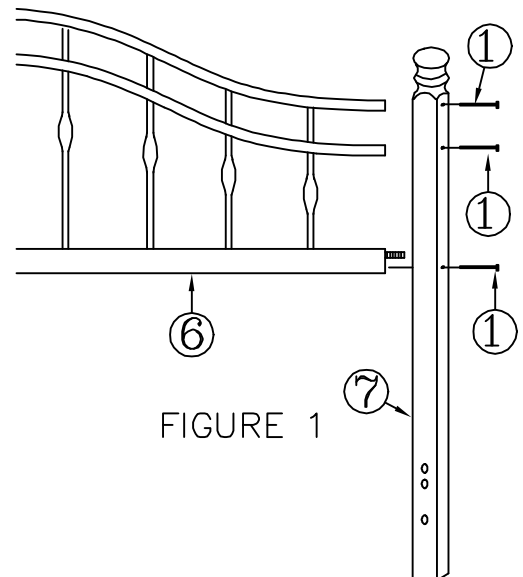


FIGURE 1

Step 2- To Attach Headboard to Mattress Support System

Place headboard and frame in desired location in room. Place 2 screws (2) through holes located in post (7).

(See Figure 2) Slide rubber washer (4) over screws.

Align bed frame bracket over screws.

Place a flat washer (3) first and then a nut (5) on each screw. Hand-tighten, DO NOT TIGHTEN screws all the way.

Repeat on other side of headboard.

Tighten all screws securely using the Allen wrench.

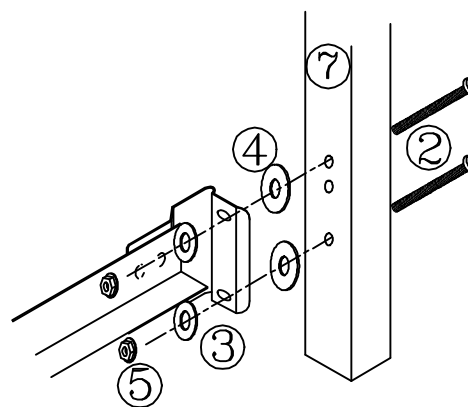


FIGURE 2

FOR ASSISTANCE IN ASSEMBLY ONLY OF THIS PRODUCT. CALL OUR HELP DESK AT 1-800-324-3415, BETWEEN 8:30 AM & 4:30 PM CENTRAL TIME MONDAY THRU FRIDAY. PLEASE HAVE THE STYLE NUMBER AVAILABLE BEFORE YOU CALL. (STYLE # OR NAME CAN BE FOUND ON PACKING CARTON OR SALES RECEIPT.) OUR PRODUCT IS INSPECTED TO ENSURE IT IS IN GOOD CONDITION. IF YOUR FURNITURE APPEARS TO HAVE BEEN DAMAGED IN SHIPMENT OR YOU ARE IN NEED OF REPLACEMENT PARTS PLEASE CONTACT THE DEALER FROM WHOM YOU PURCHASED THE PRODUCT.