

# Fashion Bed Group

A Division of Leggett & Platt Incorporated  
5950 West 51st Street - Chicago, IL 60638

JCP LOT NUMBER:  
899-3677 TWIN SIZE GRILL  
JCP LOT NUMBER:  
899-3685 FULL SIZE GRILL  
JCP LOT NUMBER:  
899-3693 QUEEN SIZE GRILL  
JCP LOT NUMBER:  
899-3701 KING SIZE GRILL  
JCP LOT NUMBER:  
899-3719 WOOD POSTS

## Shiloh Parts List

### PART #290913 BED FRAME MOUNTING HDWR

- 1 (8) 3 1/2" SCREWS 6mm
- 2 (1) ALLEN WRENCH 5/32
- 3 (16) METAL WASHERS 1/8"(ID)
- 4 (8) HEX NUT 6mm

### PART #290901 SHILOH B/GRILL MOUNTING HDWR

- 6 (12) 6mm 3 1/2" SCREWS ALLEN HEAD
- 7 (1) ALLEN WRENCH 5/32

### PART #294203 HDBD FRAME MOUNTING HDWR

- 1 (4) 3 1/2" SCREWS 6mm
- 2 (1) ALLEN WRENCH 5/32
- 3 (8) METAL WASHERS 1/8"(ID)
- 4 (4) HEX NUT 6mm

### PART #290904 SHILOH H/GRILL MOUNTING HDWR

- 6 (6) 6mm 3 1/2" SCREWS ALLEN HEAD
- 7 (1) ALLEN WRENCH 5/32

# Instruction Sheet

NOTE: If you have purchased a bed, you have 4 posts (2 long headboard posts, and 2 short footboard posts). If you have purchased a headboard only, you have 2 long posts only.

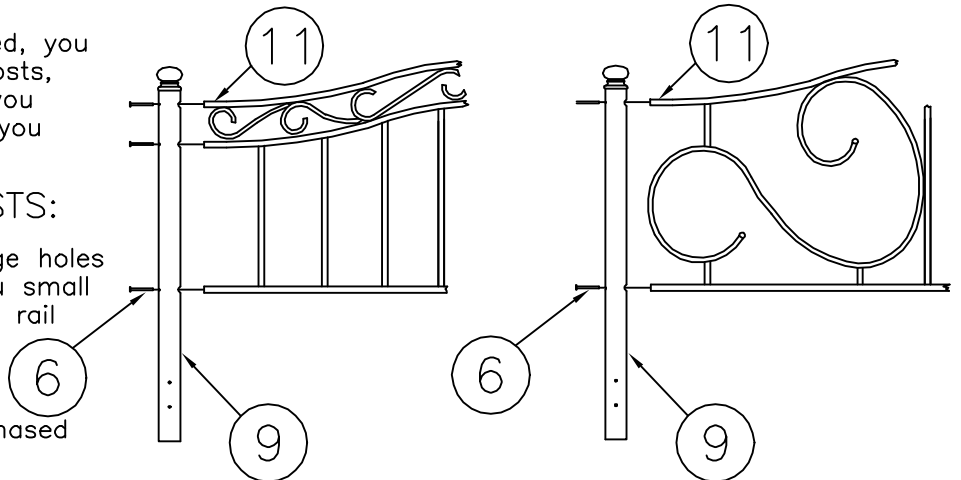
## ASSEMBLE PANELS TO POSTS:

Insert panel rail ends (11) into large holes in post (9). Insert screws (6) thru small holes on opposite side of post into rail ends.

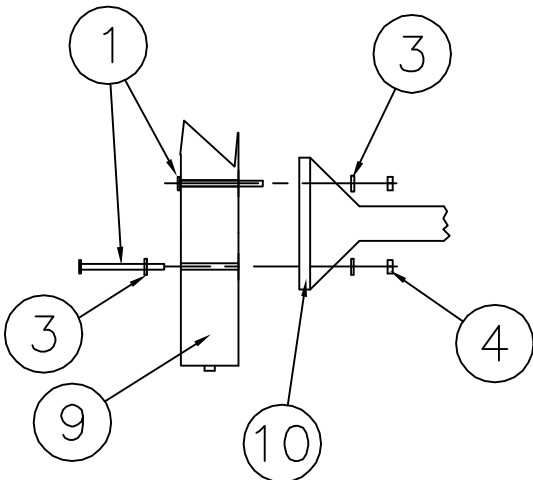
Repeat on other post.

TIGHTEN ALL SCREWS SECURELY.

Repeat on other panel if you purchased a bed.



NOTE: YOUR HEADBOARD PANEL MAY LOOK LIKE THE RIGHT OR LEFT ILLUSTRATION ABOVE. YOUR FOOTBOARD PANEL WILL ONLY HAVE ONE TOP CROSS RAIL AND ONE BOTTOM CROSS RAIL.

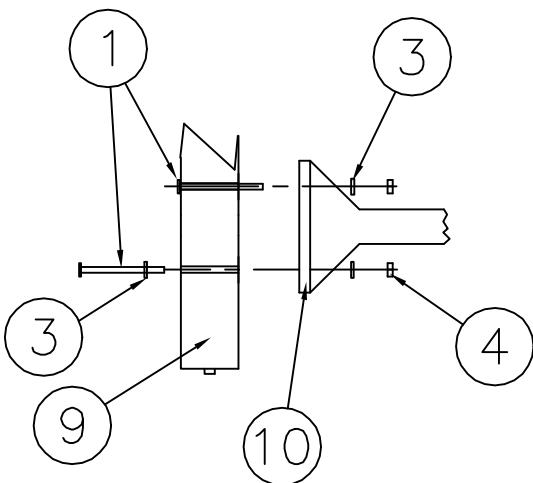


HEADBOARD FRAME ASSEMBLY

## ATTACHING THE HEADBOARD TO THE FRAME:

Insert screw (1) with washer (3) thru post (9). Align screws in headboard panel post to holes in frame (10). Slide metal washer (3) over the screw and screw the nut (4) onto the screw.

REPEAT ON OTHER HEADBOARD POST



FOOTBOARD FRAME ASSEMBLY

## ATTACHING THE FOOTBOARD TO THE FRAME:

Insert screw (1) with washer (3) thru post (9). Align screws in headboard panel post to holes in frame (10). Slide metal washer (3) over the screw and screw the nut (4) onto the screw.

REPEAT ON OTHER FOOTBOARD POST

TIGHTEN ALL SCREWS SECURELY.

FOR ASSISTANCE IN ASSEMBLY ONLY OF THIS PRODUCT. CALL OUR HELP DESK AT 1-800-324-3415, BETWEEN 8:30 AM & 4:30 PM CENTRAL TIME MONDAY THRU FRIDAY. PLEASE HAVE THE STYLE # AVAILABLE BEFORE YOU CALL. (STYLE # OR NAME CAN BE FOUND ON PACKING CARTON OR SALES RECEIPT.)