

# Fashion Bed Group

A Division of Leggett & Platt Incorporated  
5950 West 51st Street - Chicago, IL 60638

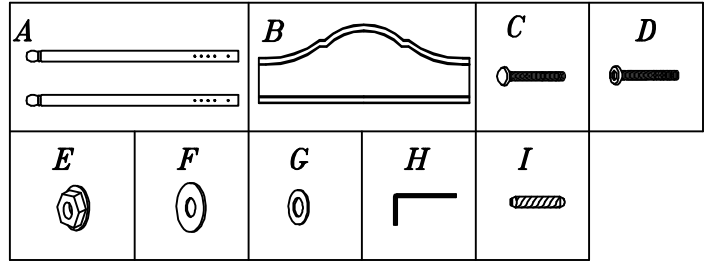
## Part List For Richmond HB

### PARTS IN TWIN HEADBOARD BOX:

- (A) HEADBOARD POSTS-2
- (B) HEADBOARD GRILL-1

#### PART #335001 HARDWARE FOR TWIN HB

- (C) 1/4-20 2 3/4" STOVE HEAD BOLT-4
- (D) 1/4-20 3" FLAT ALLEN HEAD SCREW-4
- (E) 1/4-20 HEX NUT-4
- (F) 7/8" OD RUBBER WASHER-4
- (G) 1/4" ID METAL WASHER-4
- (H) ALLEN WRENCH
- (I) WOOD DOWEL-4

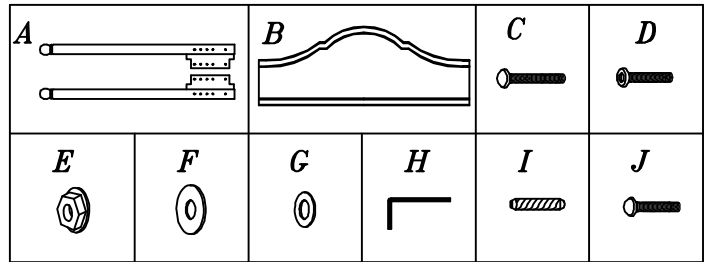


### PARTS IN FULL & QUEEN HEADBOARD BOX:

- (A) HEADBOARD POSTS-2
- (B) HEADBOARD GRILL-1

#### PART #335002 HARDWARE FOR FULL & QUEEN HB

- (C) 1/4-20 2 3/4" STOVE HEAD BOLT-4
- (D) 1/4-20 3" FLAT ALLEN HEAD SCREW-4
- (E) 1/4-20 HEX NUT-4
- (F) 7/8" OD RUBBER WASHER-4
- (G) 1/4" ID METAL WASHER-4
- (H) ALLEN WRENCH
- (I) WOOD DOWEL-4
- (J) 1/4-20 2" STOVE HEAD BOLT-4

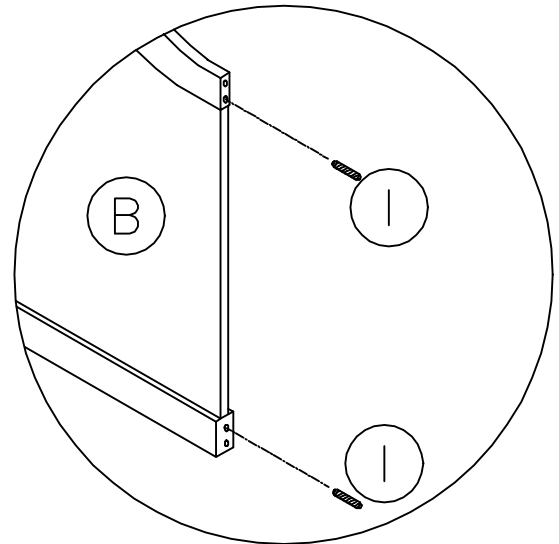
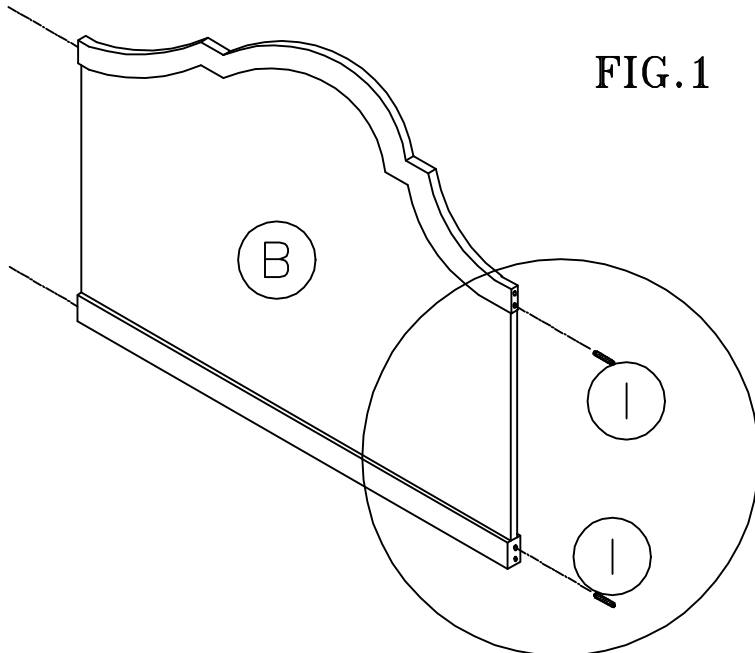


SAVE ALL PACKAGING MATERIALS UNTIL PRODUCT IS FULLY ASSEMBLED. HARDWARE AND SMALL PIECES MAY NOT BE SEEN AND BE ACCIDENTALLY DISCARDED WITH PACKAGING MATERIALS.

### Step 1

## Instruction Sheet

- Insert wood dowels (I) into holes in grill (B). (See Fig. 1)

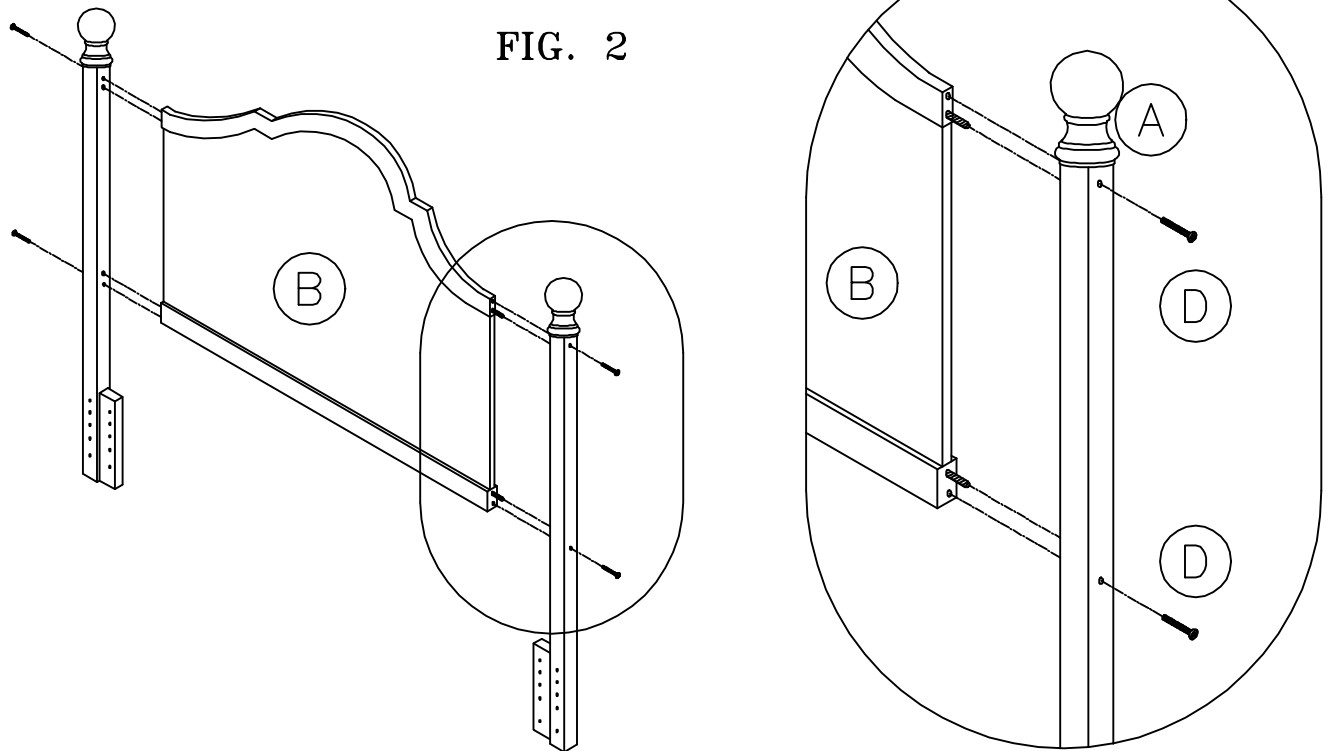


FOR ASSISTANCE IN ASSEMBLY ONLY OF THIS PRODUCT. CALL OUR HELP DESK AT 1-800-324-3415, BETWEEN 8:30 AM & 4:30 PM CENTRAL TIME MONDAY THRU FRIDAY. PLEASE HAVE THE STYLE NUMBER AVAILABLE BEFORE YOU CALL. (STYLE # OR NAME CAN BE FOUND ON PACKING CARTON OR SALES RECEIPT.) OUR PRODUCT IS INSPECTED TO ENSURE IT IS IN GOOD CONDITION. IF YOUR FURNITURE APPEARS TO HAVE BEEN DAMAGED IN SHIPMENT OR YOU ARE IN NEED OF REPLACEMENT PARTS PLEASE CONTACT THE DEALER FROM WHOM YOU PURCHASED THE PRODUCT.

## Step 2

# Instruction Sheet

- Secure posts (A) to the grill panel with screws (D). (See Fig. 2)
- USE WRENCH (H) TO TIGHTEN ALL SCREWS SECURELY.



## Step 3

- Insert screw (C) through post (A). (See Figure 3)
- Slide rubber washers (F) over screws (C).
- Align screws in headboard panel post to holes in frame bracket. Secure screw with washers (G) and nuts (E). (See Fig. 3)
- REPEAT ON OTHER HEADBOARD POST
- TIGHTEN ALL SCREWS SECURELY.
- NOTE: FOR FULL SIZE ASSEMBLY USE SCREWS (J) THAT ARE INCLUDED IN THE HARDWARE

