

Fashion Bed Group

A Division of Leggett & Platt Incorporated
5950 West 51st Street - Chicago, IL 60638

Part List For Murray Platform

PARTS ENCLOSE:

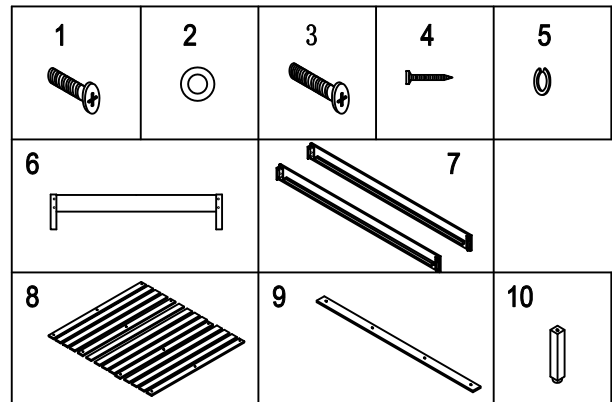
- (6) PANEL-2
- (7) SIDE RAILS-2
- (8) SLAT SYSTEM-1
- (9) CENTER SUPPORT RAIL-1
- (10) SUPPORT LEG-2

PART #357505 HARDWARE BAG FOR BED

- (1) 6mm X 20mm PHILLIPS HEAD SCREW-8
- (2) 18mm OD METAL WASHER-14
- (3) 6mm X 35mm PHILLIPS HEAD SCREW-6
- (4) 32mm FLAT PHILLIPS COUNTERSUNK HEAD WOOD SCREW-8
- (5) 6mm ID LOCK WASHER-8

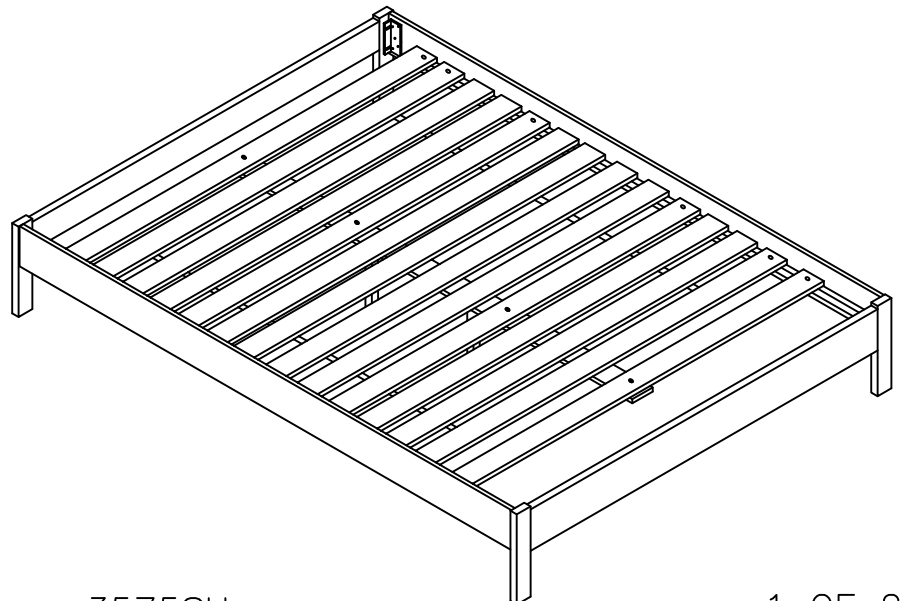
TOOLS REQUIRED

- * PHILIPS SCREW DRIVER (NOT INCLUDED)



SAVE ALL PACKAGING MATERIALS UNTIL PRODUCT IS FULLY ASSEMBLED. HARDWARE AND SMALL PIECES MAY NOT BE SEEN AND BE ACCIDENTALLY DISCARDED WITH PACKAGING MATERIALS.

- Step 1
- Place panel (6) and side rails (7) in desired location in the room.
 - Secure side rails to headboard posts with screw (1) and washers (2 & 5). (See Figure 1)
 - Do Not Tighten all screws all the way.
 - Do the same for the other panel (6) attachment.
- Step 2
- Place slat system (8) between side rails (7). (See Figure 5)
 - Secure center rail (9) to center holes in slat system (8). (See Figure 5 & 2)
 - Use screws (3) to secure each location. Tighten all screws
- Step 3
- Secure support legs (10) to center rail (9) with screws (3). (See Figure 3 & 5) Tighten all screws
- Step 4
- Secure both ends of slat system (8) to the side rails (7) with screw (4). (See Figure 4) Tighten all screws



FOR ASSISTANCE IN ASSEMBLY ONLY OF THIS PRODUCT. CALL OUR HELP DESK AT 1-800-324-3415, BETWEEN 8:30 AM & 4:30 PM CENTRAL TIME MONDAY THRU FRIDAY. PLEASE HAVE THE STYLE NUMBER AVAILABLE BEFORE YOU CALL. (STYLE # OR NAME CAN BE FOUND ON PACKING CARTON OR SALES RECEIPT.) OUR PRODUCT IS INSPECTED TO ENSURE IT IS IN GOOD CONDITION. IF YOUR FURNITURE APPEARS TO HAVE BEEN DAMAGED IN SHIPMENT OR YOU ARE IN NEED OF REPLACEMENT PARTS PLEASE CONTACT THE DEALER FROM WHOM YOU PURCHASED THE PRODUCT.

5-22-07

3575SU

1 OF 2

Instruction Sheet

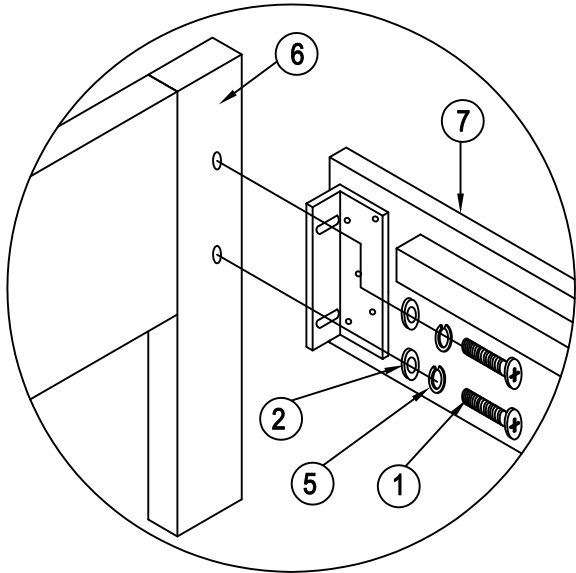


FIGURE 1

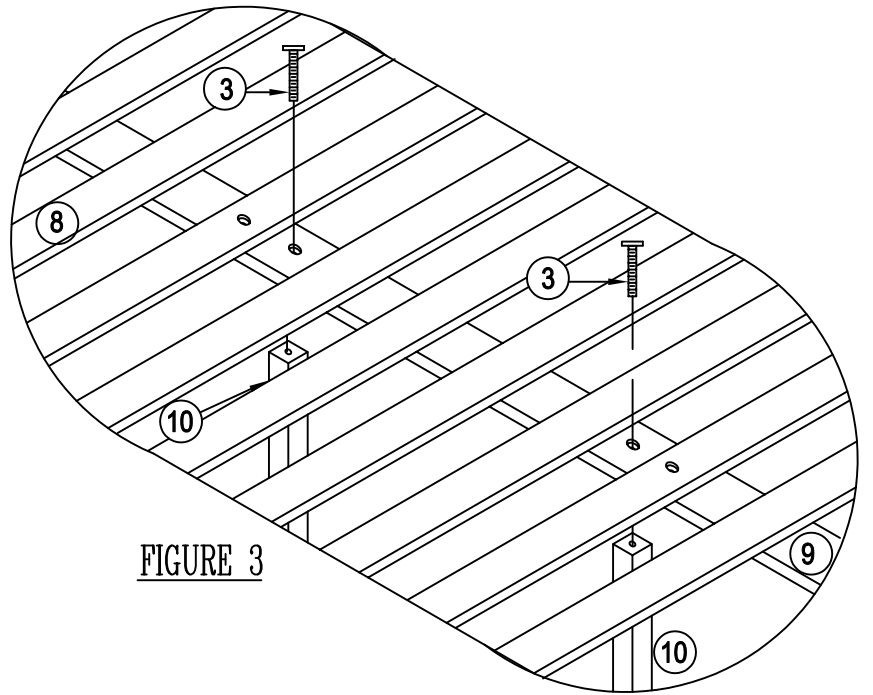


FIGURE 3

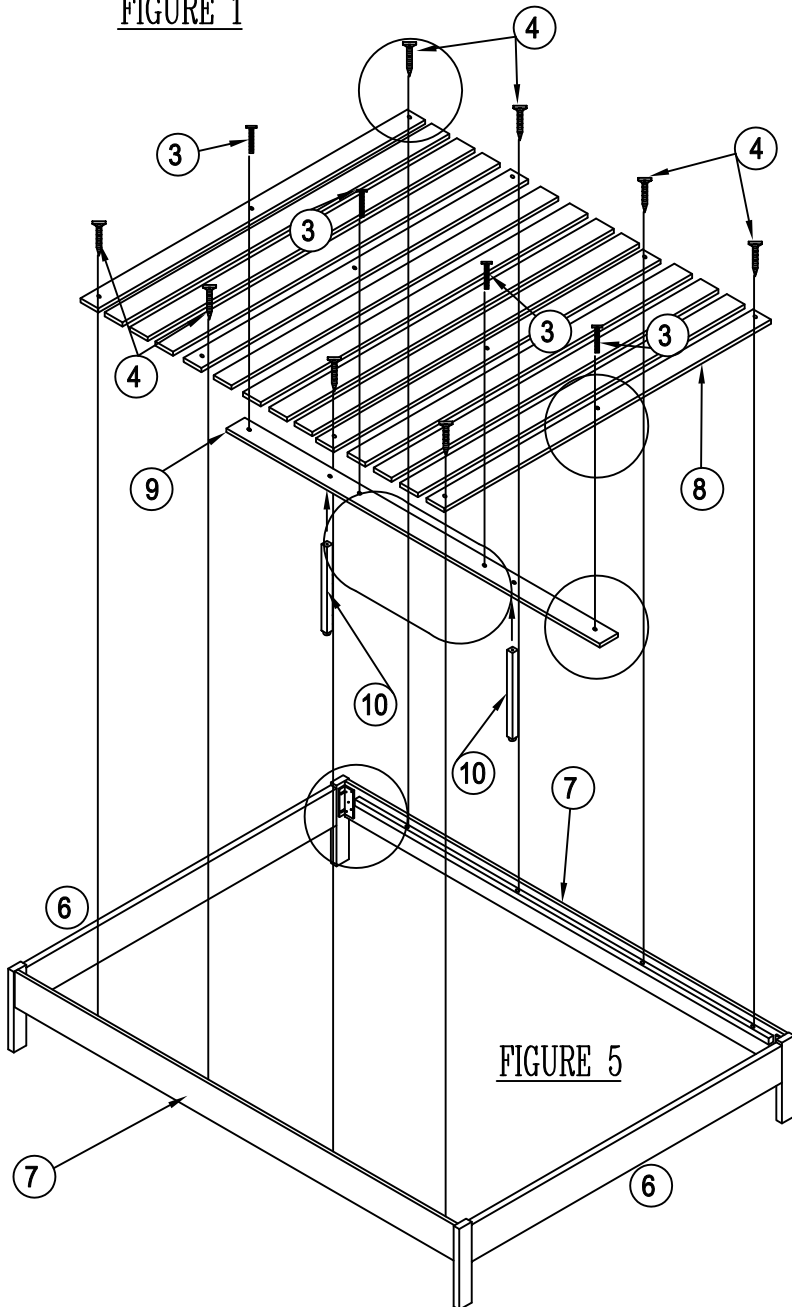


FIGURE 5

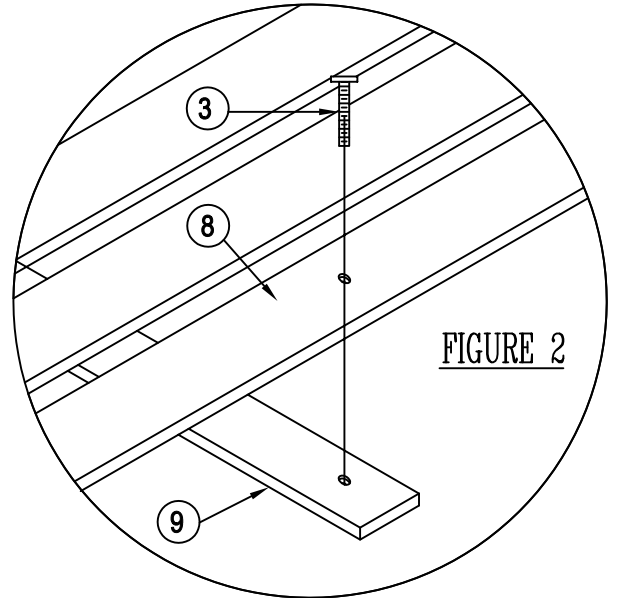


FIGURE 2

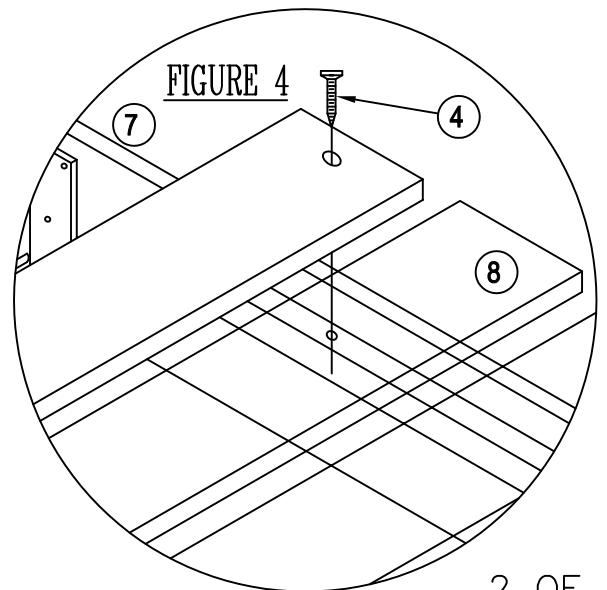


FIGURE 4