

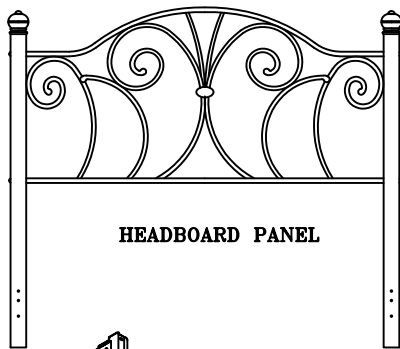
Fashion Bed Group

A Division of Leggett & Platt Incorporated
5950 West 51st Street - Chicago, IL 60638

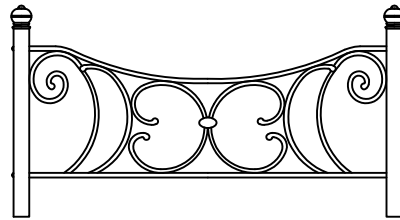
Parts List For Monaco Bed

BED CARTONS	HEADBOARD CARTONS	
GRILL BOX (1) HEADBOARD PANEL-1 (2) FOOTBOARD PANEL-1	GRILL BOX (1) HEADBOARD PANEL-1	
POSTS BOX PART #358601 HARDWARE BAG FOR BED ASSEMBLY (3) 1/4-20 3 1/2" FLAT ALLEN HEAD SCREW-12 (4) 1/4-20 1" FLAT ALLEN HEAD SCREW-4 (5) 5/8" OD FLAT WASHER-8 (6) 1/4-20 FLANGE HEX NUT-4 (7) ALLEN WRENCH-1 (8) 7/8" OD RUBBER WASHER-8 (9) WOOD PLUGS-8 (10) HEADBOARD POST-2 (11) FOOTBOARD RIGHT POST-1 (12) FOOTBOARD LEFT POST-1	POSTS BOX PART #358602 HARDWARE BAG FOR BED ASSEMBLY (3) 1/4-20 3 1/2" FLAT ALLEN HEAD SCREW-8 (5) 5/8" OD FLAT WASHER-4 (6) 1/4-20 FLANGE HEX NUT-4 (7) ALLEN WRENCH-1 (8) 7/8" OD RUBBER WASHER-4 (9) WOOD PLUGS-4 (10) HEADBOARD POST-2 (11) FOOTBOARD RIGHT POST-1 (12) FOOTBOARD LEFT POST-1	

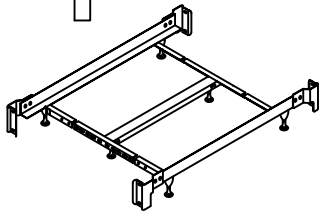
PRODUCT FULLY ASSEMBLED



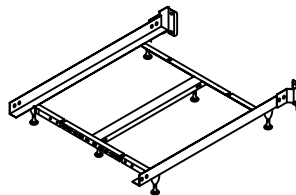
HEADBOARD PANEL



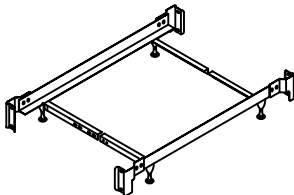
FOOTBOARD PANEL



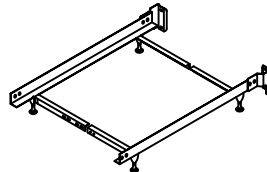
QUEEN - KING BED FRAME FULLY ASSEMBLED
NOTE: SEE INSTRUCTIONS INCLUDED IN FRAME CARTON FOR FRAME ASSEMBLY



QUEEN - KING HEADBOARD ONLY FRAME FULLY ASSEMBLED
NOTE: SEE INSTRUCTIONS INCLUDED IN FRAME CARTON FOR FRAME ASSEMBLY



TWIN - FULL BED FRAME FULLY ASSEMBLED
NOTE: SEE INSTRUCTIONS INCLUDED IN FRAME CARTON FOR FRAME ASSEMBLY



TWIN - FULL HEADBOARD ONLY FRAME FULLY ASSEMBLED
NOTE: SEE INSTRUCTIONS INCLUDED IN FRAME CARTON FOR FRAME ASSEMBLY

FOR ASSISTANCE IN ASSEMBLY ONLY OF THIS PRODUCT. CALL OUR HELP DESK AT 1-800-324-3415, BETWEEN 8:30 AM & 4:30 PM CENTRAL TIME MONDAY THRU FRIDAY. PLEASE HAVE THE STYLE NUMBER AVAILABLE BEFORE YOU CALL. (STYLE # OR NAME CAN BE FOUND ON PACKING CARTON OR SALES RECEIPT.) OUR PRODUCT IS INSPECTED TO ENSURE IT IS IN GOOD CONDITION. IF YOUR FURNITURE APPEARS TO HAVE BEEN DAMAGED IN SHIPMENT OR YOU ARE IN NEED OF REPLACEMENT PARTS PLEASE CONTACT THE DEALER FROM WHOM YOU PURCHASED THE PRODUCT.

Instruction Sheet

SAVE ALL PACKAGING MATERIALS UNTIL PRODUCT IS FULLY ASSEMBLED. HARDWARE AND SMALL PIECES MAY NOT BE SEEN AND BE ACCIDENTALLY DISCARDED WITH PACKAGING MATERIALS.

FIGURE 1

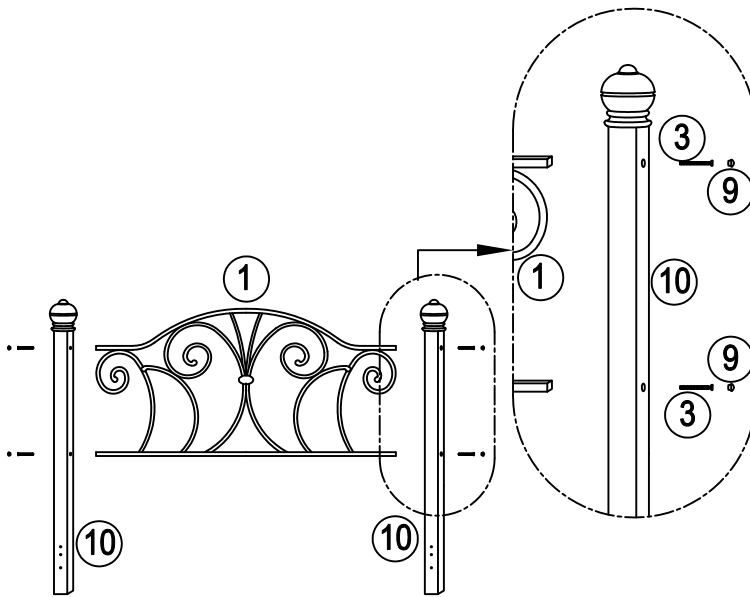


FIGURE 2

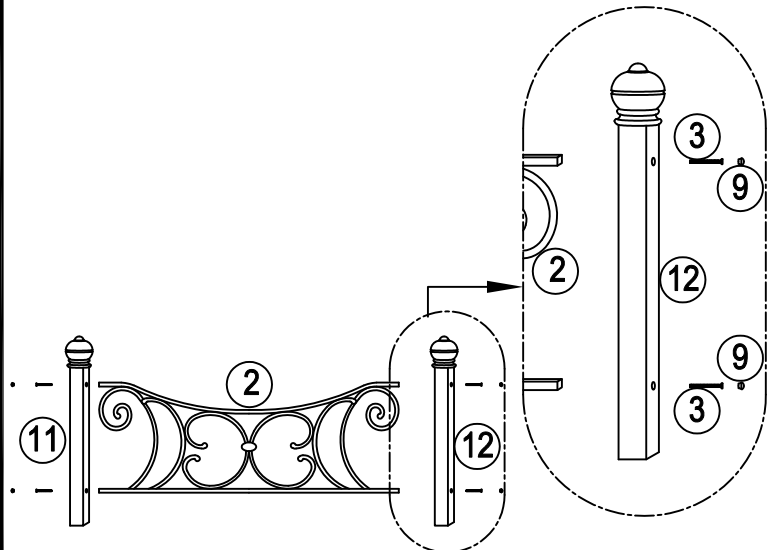
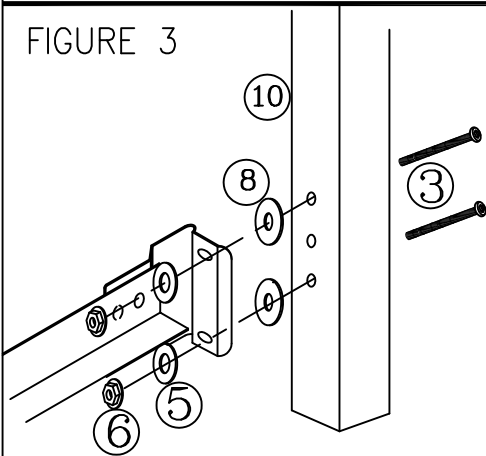


FIGURE 3



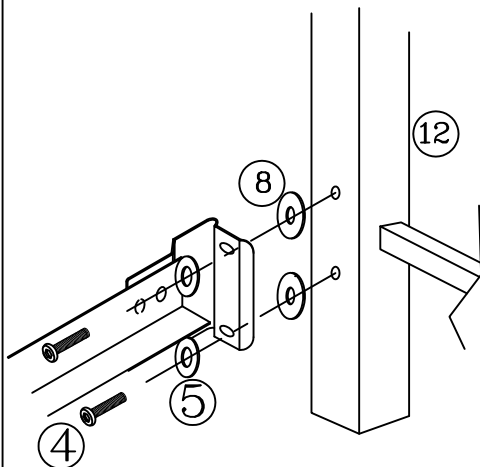
Step 1

- Align grill (1) end holes with holes in headboard post (10). See Figure 1
- Secure post (10) to grill (1) with screws (3). See Figure 1
- Repeat on other side of headboard panel and Footboard. See Figures 1 & 2
- Tighten all screws securely using Allen wrench (7).
- Now insert wood plugs (9) to cover screw holes. See Figures 1 & 2

Step 2

- Place headboard and frame in desired location in room.
- Place 2 screws (3) through holes located in post (10). (See Figure 3) Slide rubber washers (8) over screws (3).
- Align bed frame bracket over screws.
- Place a flat washer (5) first and then a nut (6) on each screw. Hand-tighten, DO NOT TIGHTEN screws all the way.
- Repeat on other side of headboard.
- Tighten all screws securely using the Allen wrench (7).

FIGURE 4



Step 3

- Position footboard panel and align holes in the post (12) with holes in the frame bracket. See Figure 4
- Place flat washer (5) on each screw (4). Insert through bracket, rubber washer (8) and into post. Hand-tighten, DO NOT TIGHTEN screws all the way.
- Repeat on other side of footboard panel.
- Tighten all screws securely using the Allen wrench (7).