

Fashion Bed Group

A Division of Leggett & Platt Incorporated
 5950 West 51st Street - Chicago, IL 60638

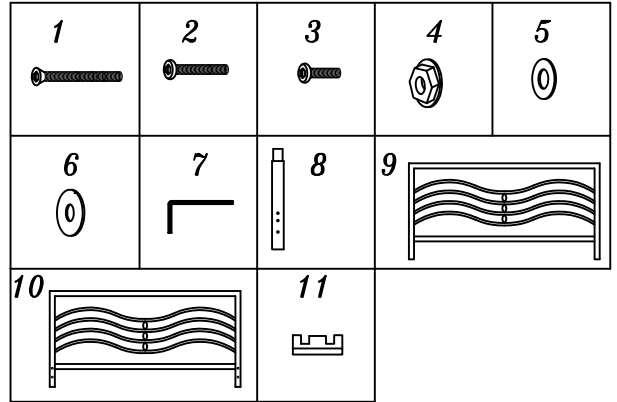
Parts List For Malibu

BED CARTON

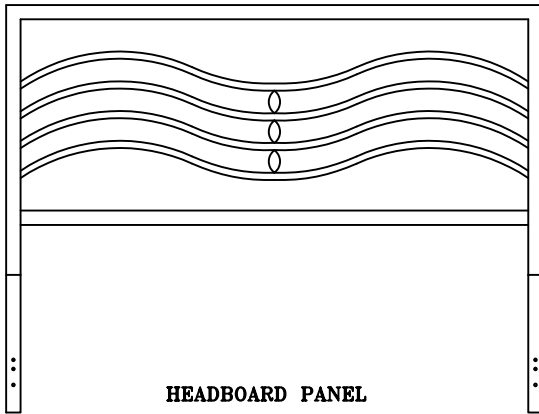
- (9) HEADBOARD PANEL
- (10) FOOTBOARD PANEL

PART #317901 HARDWARE BAG FOR BED ATTACHMENT TO FRAME

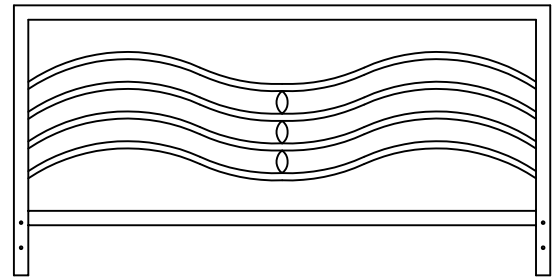
- (1) 1/4-20 2 1/2" FLAT ALLEN HEAD SCREW(4)
- (2) 1/4-20 1" SOCKET ALLEN HEAD SCREW(4)
- (3) 1/4-20 3/4" SOCKET ALLEN HEAD SCREW(4)
- (4) 1/4-20 FLANGE HEX NUT(4)
- (5) 5/8" OD FLAT WASHER(12)
- (6) 7/8" OD RUBBER WASHER(8)
- (7) ALLEN WRENCH
- (8) LEG EXTENSION #317902149(2)
- (11) PLASTIC GLIDE #317902(4)



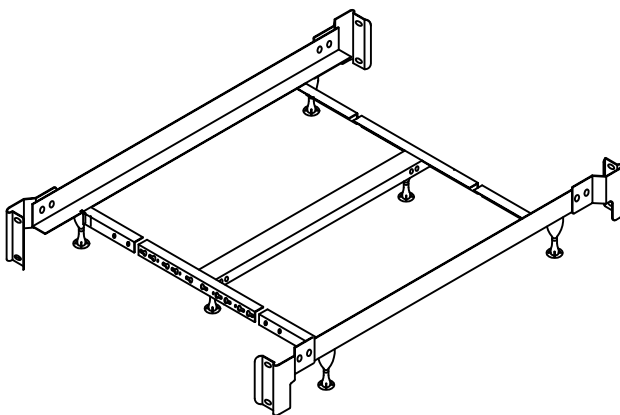
PRODUCT FULLY ASSEMBLED



HEADBOARD PANEL

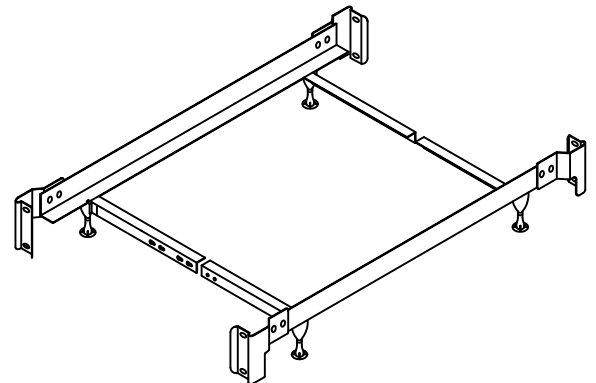


FOOTBOARD PANEL



QUEEN - KING FRAME FULLY ASSEMBLED FRAMES

NOTE: SEE INSTRUCTIONS INCLUDED IN FRAME CARTON FOR FRAME ASSEMBLY



TWIN - FULL FRAME FULLY ASSEMBLED

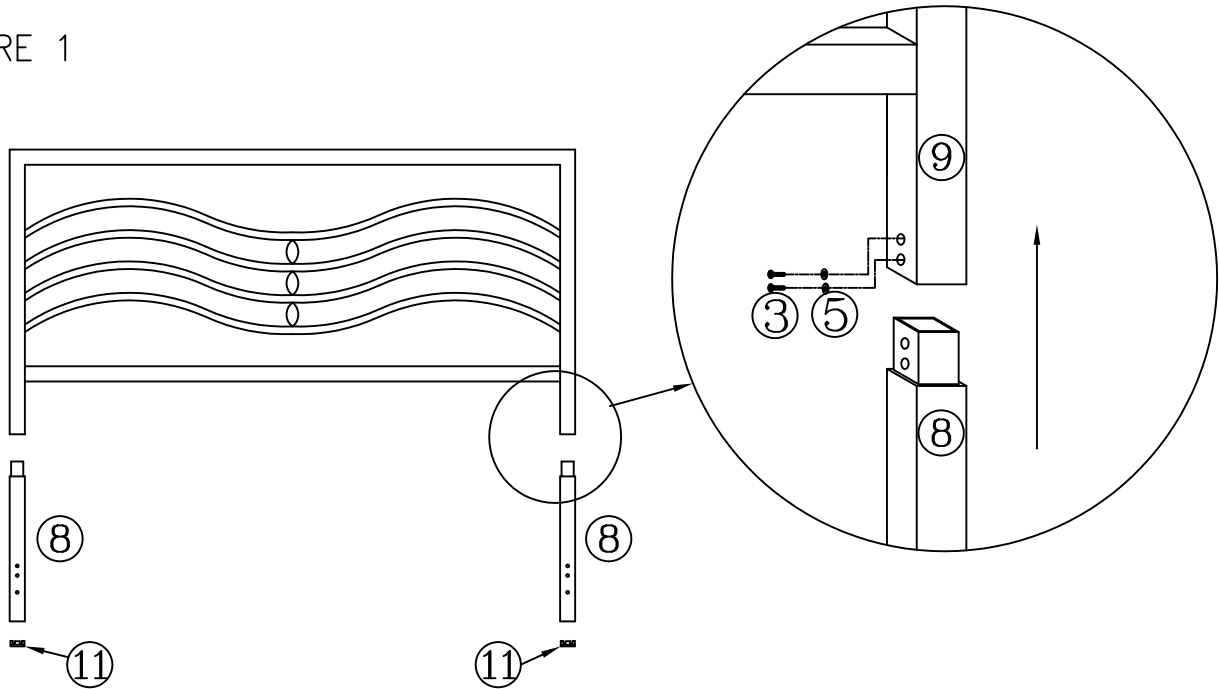
NOTE: SEE INSTRUCTIONS INCLUDED IN FRAME CARTON FOR FRAME ASSEMBLY

FOR ASSISTANCE IN ASSEMBLY ONLY OF THIS PRODUCT. CALL OUR HELP DESK AT 1-800-324-3415, BETWEEN 8:30 AM & 4:30 PM CENTRAL TIME MONDAY THRU FRIDAY. PLEASE HAVE THE STYLE NUMBER AVAILABLE BEFORE YOU CALL. (STYLE # OR NAME CAN BE FOUND ON PACKING CARTON OR SALES RECEIPT.) OUR PRODUCT IS INSPECTED TO ENSURE IT IS IN GOOD CONDITION. IF YOUR FURNITURE APPEARS TO HAVE BEEN DAMAGED IN SHIPMENT OR YOU ARE IN NEED OF REPLACEMENT PARTS PLEASE CONTACT THE DEALER FROM WHOM YOU PURCHASED THE PRODUCT.

Instruction Sheet

SAVE ALL PACKAGING MATERIALS UNTIL PRODUCT IS FULLY ASSEMBLED. HARDWARE AND SMALL PIECES MAY NOT BE SEEN AND BE ACCIDENTALLY DISCARDED WITH PACKAGING MATERIALS.

FIGURE 1



Step 1

- Insert plastic glides (11) into extension legs (8) and into bottom of footboard posts. See Figure 1
- Align top reduction of extension legs (8) with bottom of headboard posts. (See Figure 1) Make sure the 3 holes on extension legs are perpendicular to headboard panel.
- Now carefully insert extension legs (8) into bottom of posts (9).
- Secure extension legs with screws (3) and washers (5). See Figure 1

Step 2

- Place headboard and frame in desired location in room.
- Place 2 screws (1) through holes located in leg (8). (See Figure 2) Slide rubber washers (6) over screws (1).
- Align bed frame bracket over screws.
- Place a flat washer (5) first and then a nut (4) on each screw. Hand-tighten, DO NOT TIGHTEN screws all the way.
- Repeat on other side of headboard.
- Tighten all screws securely using the Allen wrench.

Step 3

- Position footboard panel and align holes in the post (10) with holes in the frame bracket. See figure 3
- Place flat washer (5) on each screw (2). Insert through bracket, rubber washer (6) and into post. Hand-tighten, DO NOT TIGHTEN screws all the way.
- Repeat on other side of footboard panel.
- Tighten all screws securely using the Allen wrench.

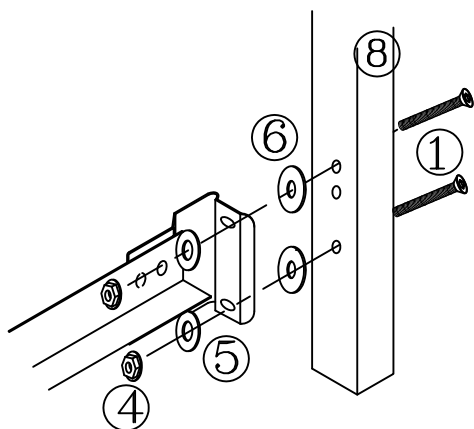


FIGURE 2

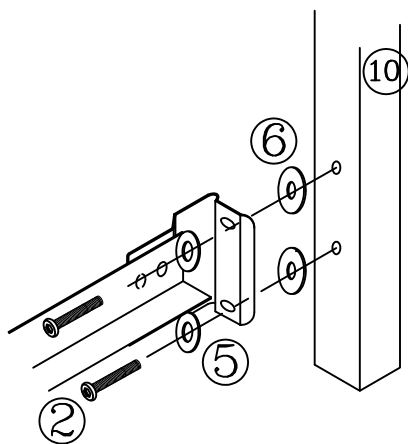


FIGURE 3

Fashion Bed Group

A Division of Leggett & Platt Incorporated
5950 West 51st Street - Chicago, Il 60638

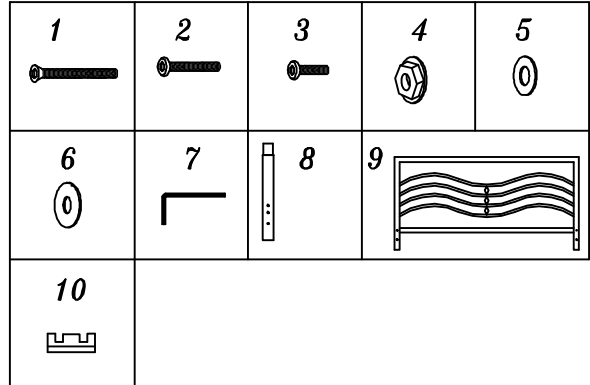
Malibu Duo/Headboard/Footboard Parts List

HEADBOARD CARTON

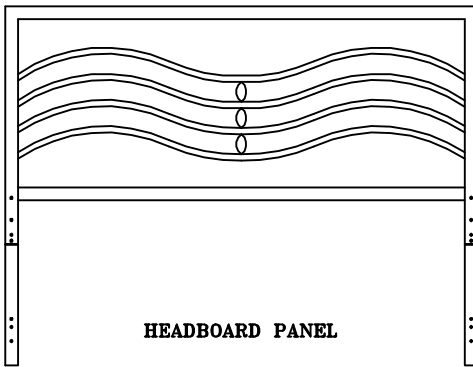
(9) HEADBOARD PANEL

PART #3179D01 HARDWARE BAG FOR BED ATTACHMENT TO FRAME

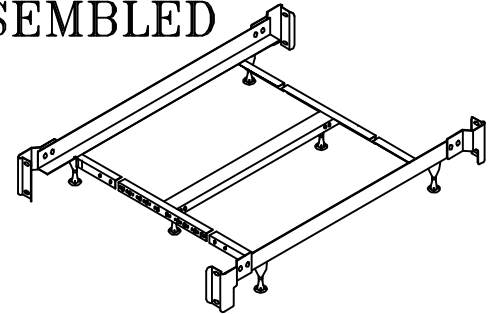
- (1) 1/4-20 2 1/2" FLAT ALLEN HEAD SCREW(4)
- (2) 1/4-20 1" SOCKET ALLEN HEAD SCREW(4)
- (3) 1/4-20 3/4" SOCKET ALLEN HEAD SCREW(4)
- (4) 1/4-20 FLANGE HEX NUT(4)
- (5) 5/8" OD FLAT WASHER(8)
- (6) 7/8" OD RUBBER WASHER(4)
- (7) ALLEN WRENCH
- (8) LEG EXTENSION #317902149(2)
- (10) PLASTIC GLIDE #317902(2)



PRODUCT FULLY ASSEMBLED

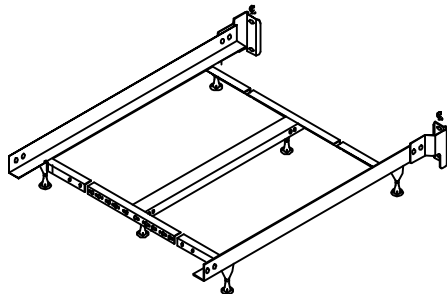


HEADBOARD PANEL



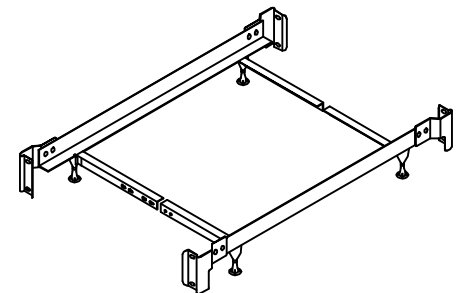
QUEEN - KING BED FRAME FULLY ASSEMBLED

NOTE: SEE INSTRUCTIONS INCLUDED IN FRAME CARTON FOR FRAME ASSEMBLY



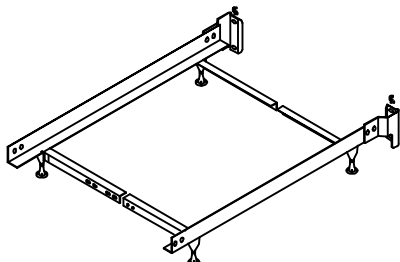
QUEEN - KING HEADBOARD FRAME FULLY ASSEMBLED

NOTE: SEE INSTRUCTIONS INCLUDED IN FRAME CARTON FOR FRAME ASSEMBLY



TWIN - FULL BED FRAME FULLY ASSEMBLED

NOTE: SEE INSTRUCTIONS INCLUDED IN FRAME CARTON FOR FRAME ASSEMBLY



TWIN - FULL HEADBOARD FRAME FULLY ASSEMBLED

NOTE: SEE INSTRUCTIONS INCLUDED IN FRAME CARTON FOR FRAME ASSEMBLY

FOR ASSISTANCE IN ASSEMBLY ONLY OF THIS PRODUCT, CALL OUR HELP DESK AT 1-800-324-3415, BETWEEN 8:30 AM & 4:30 PM CENTRAL TIME MONDAY THRU FRIDAY. PLEASE HAVE THE STYLE NUMBER AVAILABLE BEFORE YOU CALL. (STYLE # OR NAME CAN BE FOUND ON PACKING CARTON OR SALES RECEIPT.) OUR PRODUCT IS INSPECTED TO ENSURE IT IS IN GOOD CONDITION. IF YOUR FURNITURE APPEARS TO HAVE BEEN DAMAGED IN SHIPMENT OR YOU ARE IN NEED OF REPLACEMENT PARTS PLEASE CONTACT THE DEALER FROM WHOM YOU PURCHASED THE PRODUCT.

Instruction Sheet

SAVE ALL PACKAGING MATERIALS UNTIL PRODUCT IS FULLY ASSEMBLED. HARDWARE AND SMALL PIECES MAY NOT BE SEEN AND BE ACCIDENTALLY DISCARDED WITH PACKAGING MATERIALS.

FIGURE 1

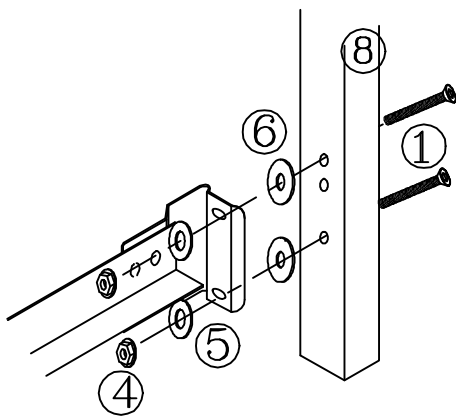
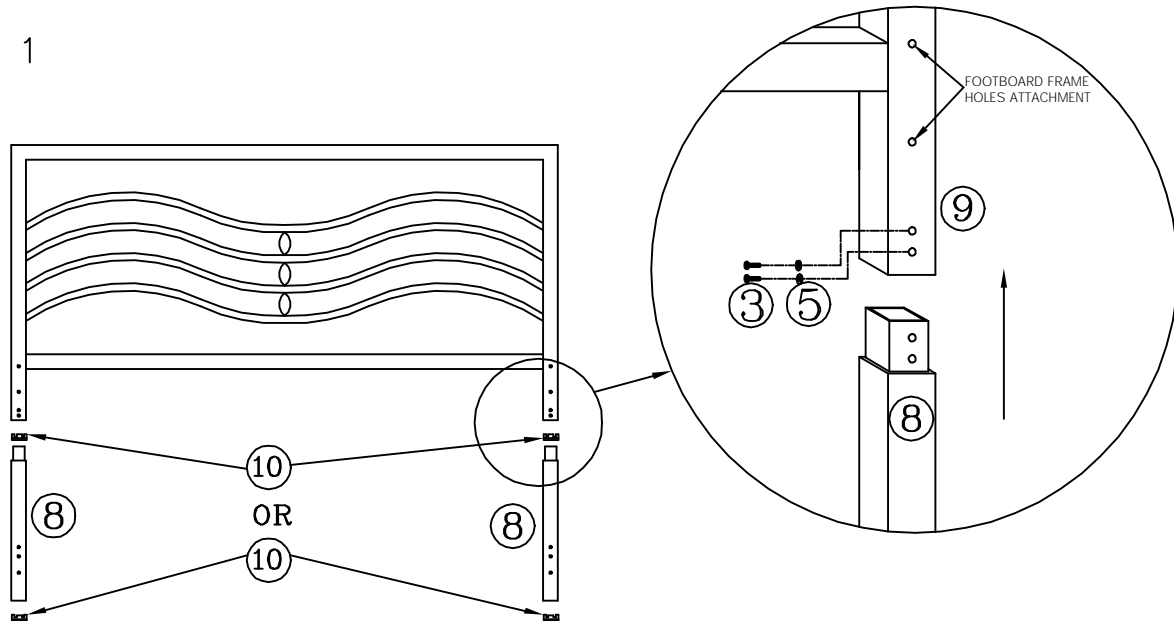


FIGURE 2

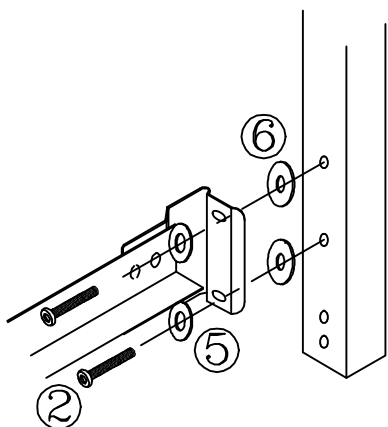


FIGURE 3

NOTE: This product can be used as Headboard only or as Headboard/Footboard bed. Insert plastic glide (10) into leg extension (8) for headboard assembly. For footboard assembly insert plastic glide (10) into bottom of panel (9) posts. See Figure 1

Step 1 Headboard assembly

- Align top reduction of extension legs (8) with bottom of headboard posts. (See Figure 1) Make sure the 3 holes on extension legs are perpendicular to headboard panel.
- Now carefully insert extension legs (8) into bottom of posts (9).
- Secure extension legs with screws (3) and washers (5). See Figure 1

Step 2

- Place headboard and frame in desired location in room.
- Place 2 screws (1) through holes located in leg (8). (See Figure 2) Slide rubber washers (6) over screws (1).
- Align bed frame bracket over screws.
- Place a flat washer (5) first and then a nut (4) on each screw. Hand-tighten, DO NOT TIGHTEN screws all the way.
- Repeat on other side of headboard.
- Tighten all screws securely using the Allen wrench.

Step 3 Footboard Assembly

- Discard Leg extension (8) for footboard attachment to frame.
- Position footboard panel (9) and align holes in the post with holes in the frame bracket. See figure 3
- Place flat washer (5) on each screw (2). Insert through bracket, rubber washer (6) and into post. Hand-tighten, DO NOT TIGHTEN screws all the way.
- Repeat on other side of footboard panel.
- Tighten all screws securely using the Allen wrench.