

Fashion Bed Group

A Division of Leggett & Platt Incorporated
5950 West 51st Street - Chicago, IL 60638

Part List for Lillian Bed

PART # 2988L01 HARDWARE BAG FOR BED

- (9) (4) 1/4-20 1" ALLEN HEAD SCREW
- (6) (4) 1/4-20 2 1/2 ALLEN HEAD SCREW
- (7) (8) 1/4" I.D. METAL WASHER
- (8) (4) 1/4-20 FLANGE NUTS
- (3) (8) 1/4" ID PLASTIC WASHER
- (4) (4) 1 3/4 PLASTIC GLIDE (UNIVERSAL)
- (1) ALLEN WRENCH
- (13) (2) FOOT CONNECTOR (part# 2988L0311)

PART # 2988L02 HARDWARE BAG FOR DUO

- (9) (4) 1/4-20 1" ALLEN HEAD SCREW
- (6) (4) 1/4-20 2 1/2 ALLEN HEAD SCREW
- (7) (4) 1/4" I.D. METAL WASHER
- (8) (4) 1/4-20 FLANGE NUTS
- (3) (4) 1/4" ID PLASTIC WASHER
- (4) (2) 1 3/4 PLASTIC GLIDE (UNIVERSAL)
- (1) ALLEN WRENCH
- (13) (2) FOOT CONNECTOR (part# 2988L0311)

(5) PART # 2988L0411 LEG EXT. BRASS PLATED

FOR ASSISTANCE IN ASSEMBLY ONLY OF THIS PRODUCT. CALL OUR HELP DESK AT 1-800-324-3415, BETWEEN 8:30 AM & 4:30 PM CENTRAL TIME MONDAY THRU FRIDAY. PLEASE HAVE THE STYLE NUMBER AVAILABLE BEFORE YOU CALL. (STYLE # OR NAME CAN BE FOUND ON PACKING CARTON OR SALES RECEIPT.) OUR PRODUCT IS INSPECTED TO ENSURE IT IS IN GOOD CONDITION. IF YOUR FURNITURE APPEARS TO HAVE BEEN DAMAGED IN SHIPMENT OR YOU ARE IN NEED OF REPLACEMENT PARTS PLEASE CONTACT THE DEALER FROM WHOM YOU PURCHASED THE PRODUCT.

Fashion Bed Group

A Division of Leggett & Platt Incorporated
5950 West 51st Street – Chicago, IL 60638

Instruction Sheet

SAVE ALL PACKING MATERIALS UNTIL PRODUCT IS COMPLETELY ASSEMBLED

STEP 1: To attach leg extensions to headboard.

Lay the bed down on a soft surface. Insert leg extension (5) into bed end post (2) with holes facing up, (as shown) insert leg extension into bottom of post (2) until the reduction is no longer visible. Insert plastic glide (4) into bottom of leg extension. (To firmly insert glide, you may need to use a padded hammer). (Figure 1)

NOTE: If you have a duo version assemble foot connector (13) with glide under leg extension.

NOTE: If you have purchase two duo versions discard one set of leg extensions for the assembly of footboard.

STEP 2: To attach headboard to frame

Making sure that the frame holes in the leg extension on the headboard will be facing the mattress, align frame holes over the holes in the leg extension (5). Secure with long screws (6), washers (3), washer (7), and nuts (8) which are supplied in hardware kit. (Figure 2)

STEP 3: To attach foot connector to footboard

Insert plastic glide (4) with foot connector (13) into bottom of footboard post. Do the same in other post. (To firmly insert glide, you may need to use a padded hammer). (Figure 3)

STEP 4: To attach footboard to frame

Align frame over holes in footboard. (Figure 3)
Place washer (7) onto short screw (9), insert screw thru frame, washer (3) and into footboard hole. Tighten securely.

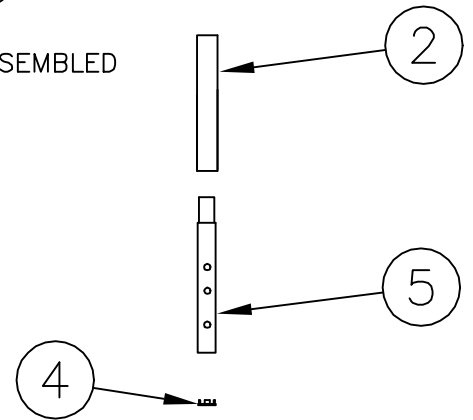


FIGURE 1

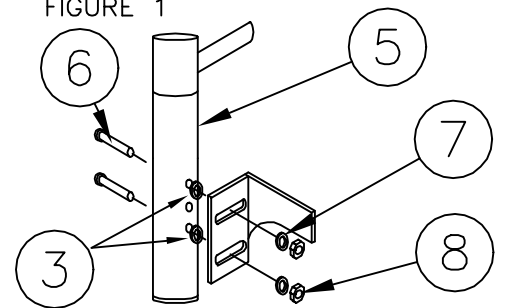


FIGURE 2

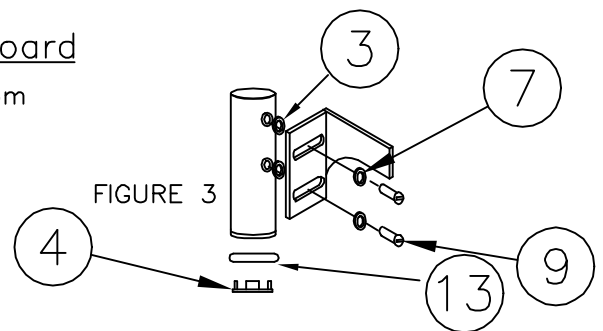


FIGURE 3