

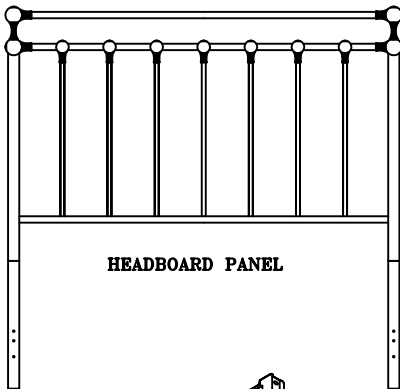
Fashion Bed Group

A Division of Leggett & Platt Incorporated
5950 West 51st Street - Chicago, IL 60638

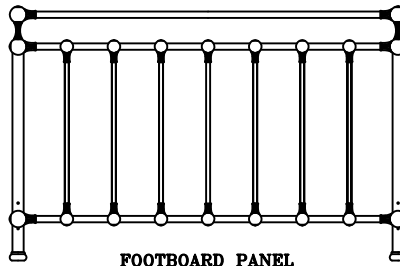
Parts List For Langley Bed

| BED CARTON | HEADBOARD CARTON | | | | | |
|--|--|---|---|---|---|---|
| <p>(7) HEADBOARD PANEL (8) FOOTBOARD PANEL</p> | <p>(7) HEADBOARD PANEL</p> | 1 | 2 | 3 | 4 | 5 |
| <p>PART #358301 HARDWARE BAG FOR BED ATTACHMENT TO FRAME</p> | <p>PART #358302 HARDWARE BAG FOR HEADBOARD ATTACHMENT TO FRAME</p> | | | | | |
| <p>(1) 1/4-20 2 1/2" COUNTER SUNK ALLEN HEAD SCREW-4 (2) 1/4-20 1" FLAT ALLEN HEAD SCREW-4 (3) 1/4-20 HEX NUT-4 (4) 5/8" OD FLAT WASHER-8 (5) ALLEN WRENCH (6) LEG EXTENSION-2</p> | <p>(1) 1/4-20 2 1/2" COUNTER SUNK ALLEN HEAD SCREW-4 (3) 1/4-20 HEX NUT-4 (4) 5/8" OD FLAT WASHER-4 (5) ALLEN WRENCH (6) LEG EXTENSION-2</p> | | | | | |

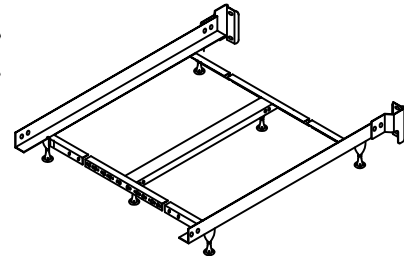
PRODUCT FULLY ASSEMBLED



HEADBOARD PANEL

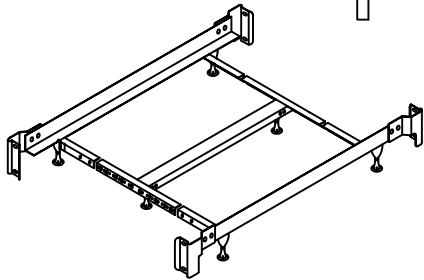


FOOTBOARD PANEL



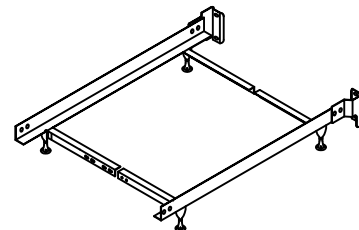
QUEEN - KING HEADBOARD ONLY FRAME FULLY ASSEMBLED

NOTE: SEE INSTRUCTIONS INCLUDED IN FRAME CARTON FOR FRAME ASSEMBLY



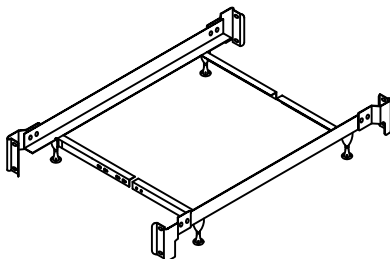
QUEEN - KING BED FRAME FULLY ASSEMBLED

NOTE: SEE INSTRUCTIONS INCLUDED IN FRAME CARTON FOR FRAME ASSEMBLY



TWIN - FULL HEADBOARD ONLY FRAME FULLY ASSEMBLED

NOTE: SEE INSTRUCTIONS INCLUDED IN FRAME CARTON FOR FRAME ASSEMBLY



TWIN - FULL BED FRAME FULLY ASSEMBLED

NOTE: SEE INSTRUCTIONS INCLUDED IN FRAME CARTON FOR FRAME ASSEMBLY

FOR ASSISTANCE IN ASSEMBLY ONLY OF THIS PRODUCT. CALL OUR HELP DESK AT 1-800-324-3415, BETWEEN 8:30 AM & 4:30 PM CENTRAL TIME MONDAY THRU FRIDAY. PLEASE HAVE THE STYLE NUMBER AVAILABLE BEFORE YOU CALL. (STYLE # OR NAME CAN BE FOUND ON PACKING CARTON OR SALES RECEIPT.) OUR PRODUCT IS INSPECTED TO ENSURE IT IS IN GOOD CONDITION. IF YOUR FURNITURE APPEARS TO HAVE BEEN DAMAGED IN SHIPMENT OR YOU ARE IN NEED OF REPLACEMENT PARTS PLEASE CONTACT THE DEALER FROM WHOM YOU PURCHASED THE PRODUCT.

Instruction Sheet

SAVE ALL PACKAGING MATERIALS UNTIL PRODUCT IS FULLY ASSEMBLED. HARDWARE AND SMALL PIECES MAY NOT BE SEEN AND BE ACCIDENTALLY DISCARDED WITH PACKAGING MATERIALS.

FIGURE 1

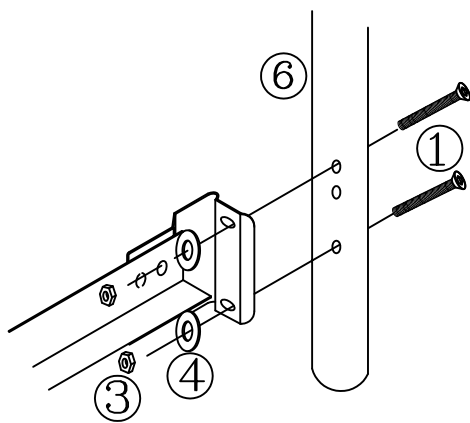
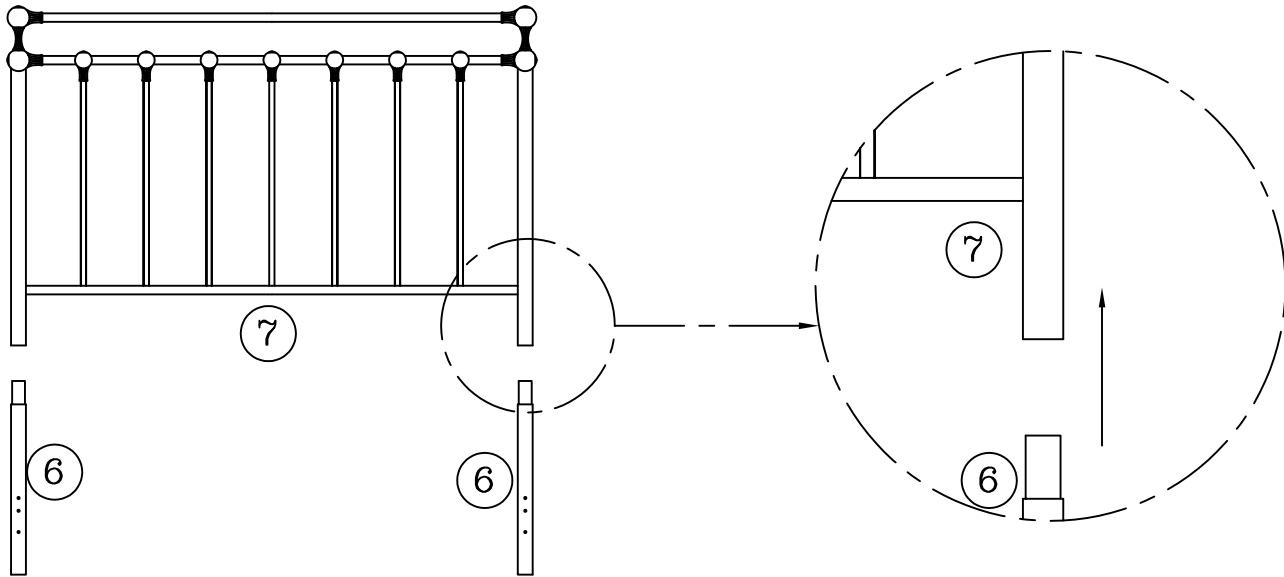


FIGURE 2

Step 1

- Align top reduction of extension legs (6) with bottom of headboard posts. (See Figure 1) Make sure the 3 holes on extension legs are perpendicular to headboard panel.
- Now carefully insert extension legs (6) into bottom of headboard (7) posts. (See Figure 1)

Step 2

- Place headboard and frame in desired location in room.
- Place 2 screws (1) through holes located in leg (6). (See Figure 2)
- Align bed frame bracket over screws.
- Place a flat washer (4) first and then a nut (3) on each screw. Hand-tighten, DO NOT TIGHTEN screws all the way.
- Repeat on other side of headboard.
- Tighten all screws securely using the Allen wrench (5).

Step 3

- Position footboard panel (8) and align holes in the post with holes in the frame bracket. (See figure 3)
- Place a flat washer (4) on each screw (2). Insert through bracket and into post. Hand-tighten, DO NOT TIGHTEN screws all the way.
- Repeat on other side of footboard panel.
- Tighten all screws securely using the Allen wrench (5).

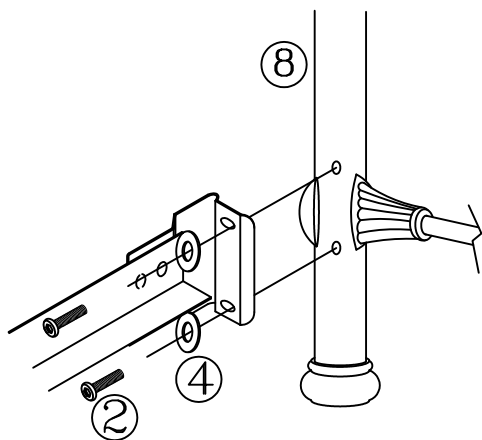


FIGURE 3