

Fashion Bed Group

A Division of Leggett & Platt
 5950 West 51st Street - Chicago, IL
 60638

Parts List For Hudson Daybed

HARDWARE BAG FOR DAYBED PART # 662401

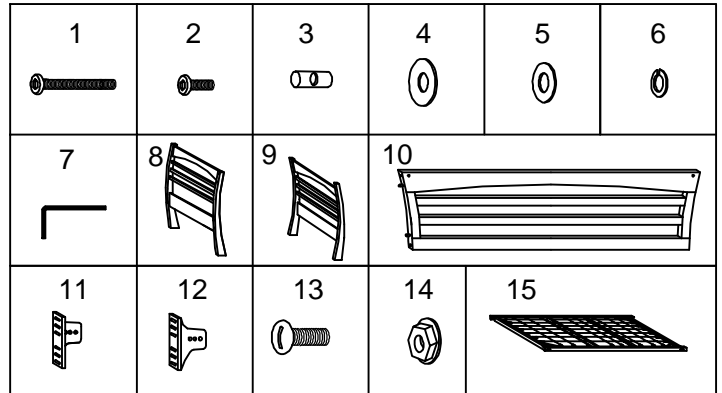
- (1) 6mm x 3 1/2" FLAT ALLEN HEAD SCREW (BLACK)-4
- (2) 6mm x 3/4" FLAT ALLEN HEAD SCREW (BLACK)-8
- (3) 6mm BARREL NUT ZINC-4
- (4) 7/8" OD PVC WASHER-8
- (5) 5/8" OD STEEL WASHER-8
- (6) 1/4" ID LOCK WASHER-8
- (7) ALLEN WRENCH-1

DAYBED PARTS:

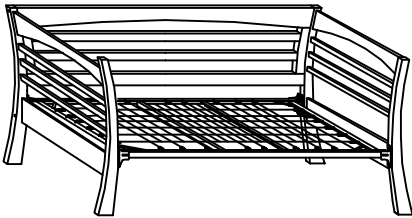
- (8) RIGHT SIDE-1
- (9) LEFT SIDE-1
- (10) BACK PANEL-1

LINK SPRING PARTS:

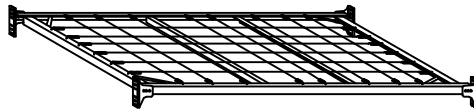
- (11) LEFT BRACKET-2
- (12) RIGHT BRACKET-2
- (13) 5/16-18 SCREW-4
- (14) 5/16-18 HEX NUT-4
- (15) SUPPORT DECK-1



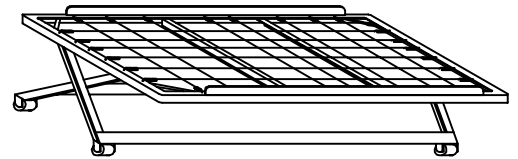
SAVE ALL PACKAGING MATERIALS UNTIL PRODUCT IS FULLY ASSEMBLED. HARDWARE AND SMALL PIECES MAY NOT BE SEEN AND BE ACCIDENTALLY DISCARDED WITH PACKAGING MATERIALS.



DAYBED FULLY ASSEMBLED



MATTRESS LINK SPRING FULLY ASSEMBLED



POP-UP TRUNDLE

Instruction Sheet

NOTES: For ease of assembly you will need a helper.
 • Loosely secure hardware, tighten after securing to daybed.

Step 1- Locate Hardware bags for Daybed & Link Spring Assembly

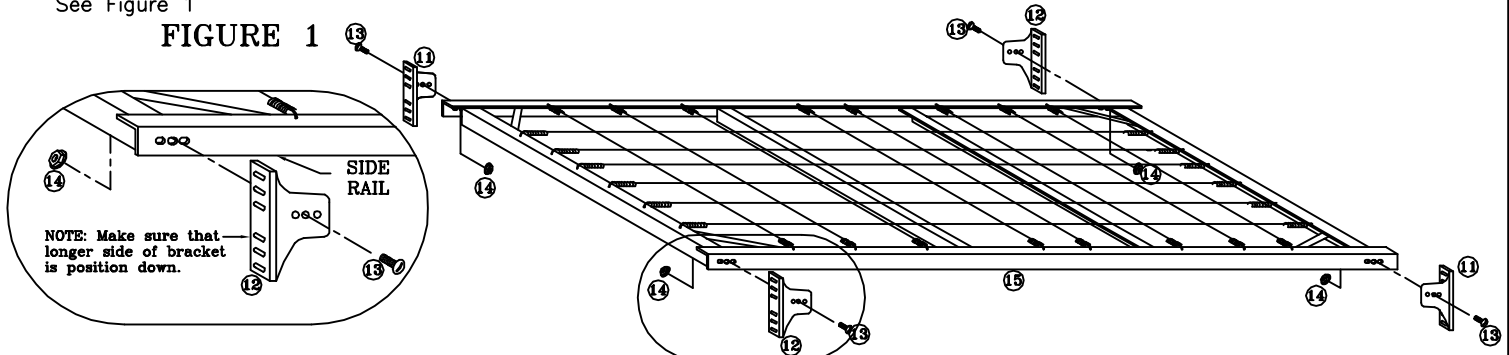
- Hardware bag for assembly of the Daybed is located inside the daybed carton box.
- Link spring hardware bag is located below the link spring cross bar.

Step 2- Link Spring Assembly

- Loosely tighten left & right brackets (9 & 10) to side rails using screws (11) and nuts (12).

See Figure 1

FIGURE 1



Instruction Sheet

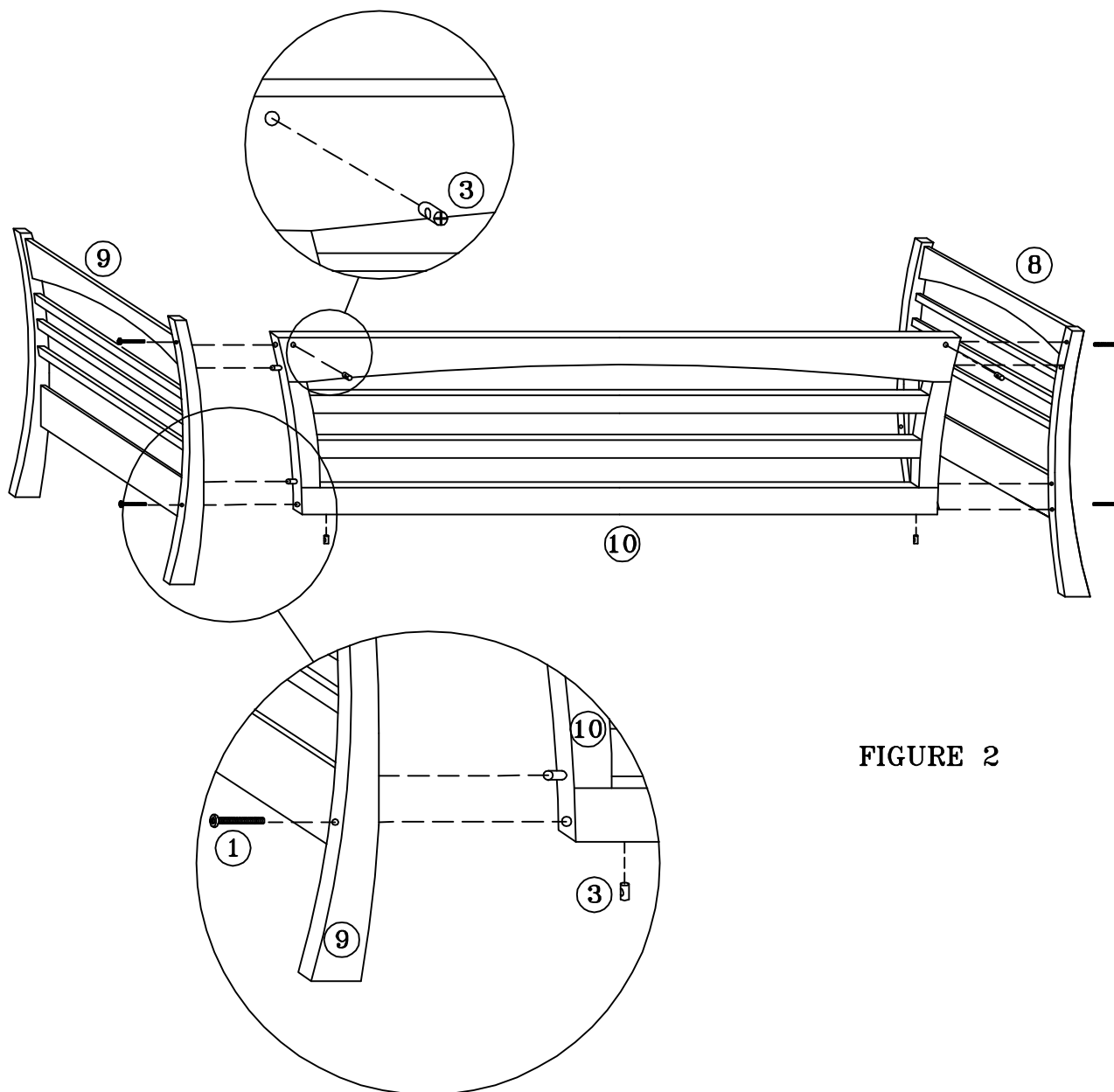


FIGURE 2

Step 3- Attachment of Back Panel to Daybed sides

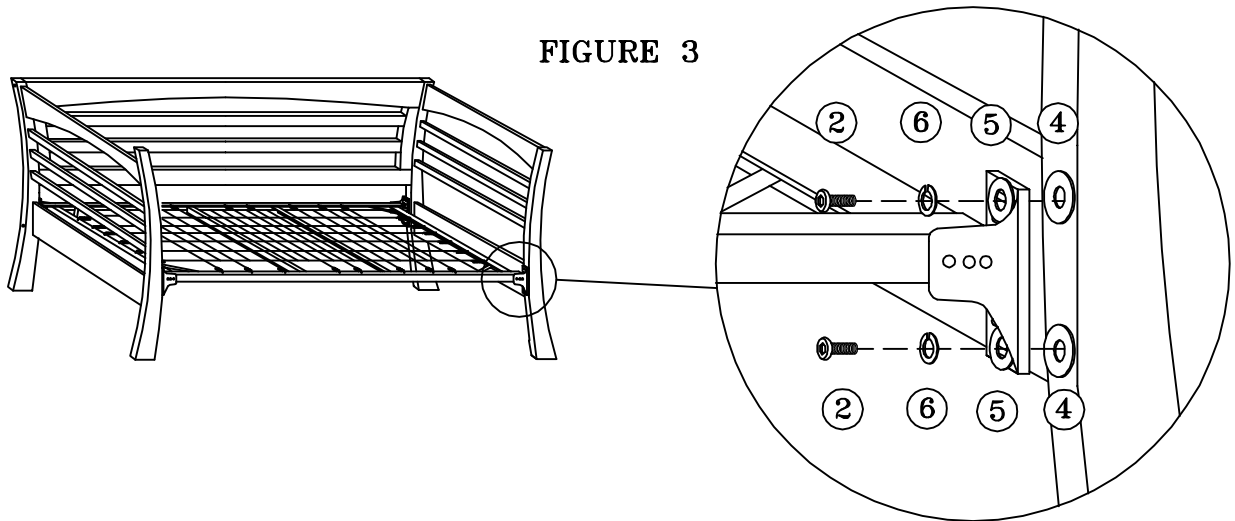
- Align holes in post (9) with holes and wood dowels in the back panel (10).
- Insert barrel nuts (3) into holes in the baybed back (10).
- Now insert screws (1) thru back post (9) into barrel nuts (3).
- Loosely tighten connections with allen wrench (7).
- Repeat for opposite daybed side.

FOR ASSISTANCE IN ASSEMBLY ONLY OF THIS PRODUCT, CALL OUR HELP DESK AT 1-800-324-3415, BETWEEN 8:30 AM & 4:30 PM CENTRAL TIME MONDAY THRU FRIDAY. PLEASE HAVE THE STYLE NUMBER AVAILABLE BEFORE YOU CALL. (STYLE # OR NAME CAN BE FOUND ON PACKING CARTON OR SALES RECEIPT.) OUR PRODUCT IS INSPECTED TO ENSURE IT IS IN GOOD CONDITION. IF YOUR FURNITURE APPEARS TO HAVE BEEN DAMAGED IN SHIPMENT OR YOU ARE IN NEED OF REPLACEMENT PARTS PLEASE CONTACT THE DEALER FROM WHOM YOU PURCHASED THE PRODUCT.

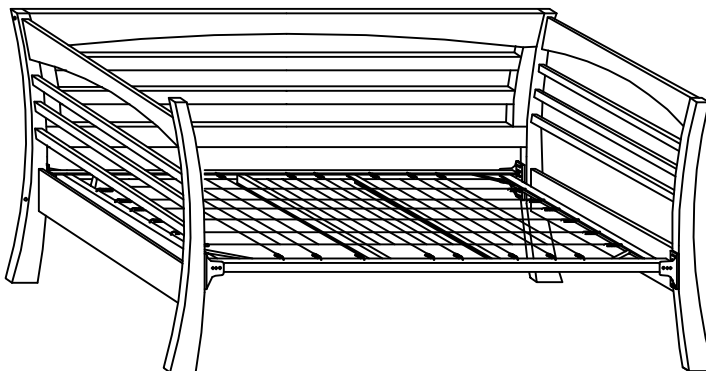
Instruction Sheet

Step 4- Attachment of Link Spring to Daybed sides

Bolt one metal bracket of the link spring to one daybed side post.
For each post use 2 screws (2), 2 lock washers (6), 2 metal washers (5) and 2 pvc washers (4).
Loosely tighten (See Figure 3)
Repeat on other daybed posts.
Tighten all screws with Allen wrench (5).



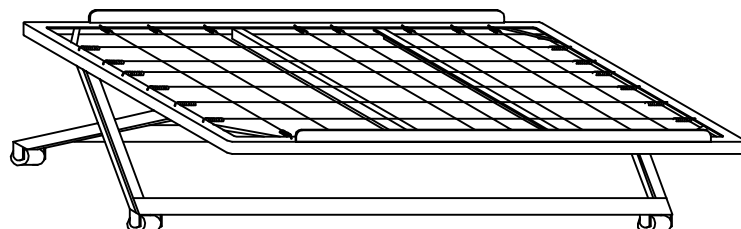
DAYBED FULLY ASSEMBLED



CENTRAL TIP
HAVE THE STYLE NUMBER AVAILABLE BEFORE YOU
CALL. (STYLE # OR NAME CAN BE FOUND ON
PACKING CARTON OR SALES RECEIPT.)

CONTACT THE DEALER FROM WHOM YOU
PURCHASED THE PRODUCT.

SE



POP-UP TRUNDLE

3624 OPTIONAL