

Fashion Bed Group

A Division of Leggett & Platt Incorporated
5950 West 51st Street - Chicago, IL 60638

FOR ASSISTANCE IN ASSEMBLY ONLY OF THIS PRODUCT. CALL OUR HELP DESK AT 1-800-324-3416, BETWEEN 8:30 AM & 4:30 PM CENTRAL TIME MONDAY THRU FRIDAY. PLEASE HAVE THE STYLE NUMBER AVAILABLE BEFORE YOU CALL. (STYLE # OR NAME CAN BE FOUND ON PACKING CARTON OR SALES RECEIPT.) OUR PRODUCT IS INSPECTED TO ENSURE IT IS IN GOOD CONDITION. IF YOUR FURNITURE APPEARS TO HAVE BEEN DAMAGED IN SHIPMENT OR YOU ARE IN NEED OF REPLACEMENT PARTS PLEASE CONTACT THE DEALER FROM WHOM YOU PURCHASED THE PRODUCT.

Part List For Grenada Bed

BED GRILL CARTON

(1) PANEL-2

PART #303801 HARDWARE BAG FOR BED ATTACHMENT TO FRAME

- (2) 1/4-20 3 1/2" FLAT ALLEN HEAD SCREW-8
- (3) 1/4-20 1" FLAT ALLEN HEAD SCREW-2
- (4) 1/4-20 FLANGE HEX NUT-8
- (5) 7/8" OD RUBBER WASHER-8
- (6) ALLEN WRENCH
- (7) FOOT CASTING -2 (PART# 30380494)
- (8) FINIAL -4 (PART# 30380394)

BED POST CARTON

(9) HEADBOARD POST-2
(10) FOOTBOARD POST-2

PART #303805 HARDWARE BAG FOR BED POST MOUNTING

- (11) 1 1/4" LONG SELF DRILLING SCREW FOR WOOD -8

HEADBOARD GRILL CARTON

(1) PANEL-1

PART #303802 HARDWARE BAG FOR HEADBOARD ATTACHMENT TO FRAME

- (2) 1/4-20 3 1/2" FLAT ALLEN HEAD SCREW-4
- (4) 1/4-20 FLANGE HEX NUT-4
- (5) 7/8" OD RUBBER WASHER-4
- (6) ALLEN WRENCH
- (8) FINIAL -2 (PART# 30380394)

BED POST CARTON

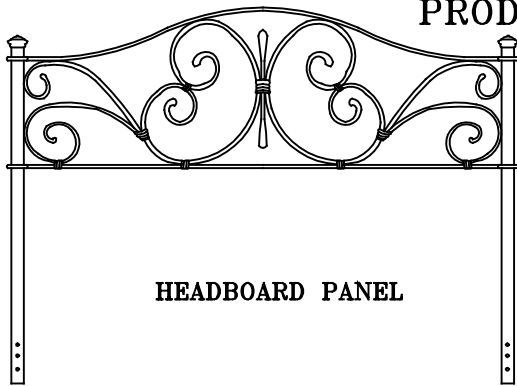
(9) HEADBOARD POST-2

PART #303806 HARDWARE BAG FOR HEADBOARD POST MOUNTING

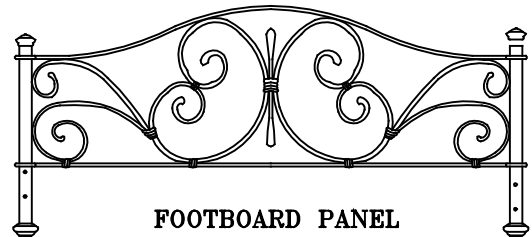
- (11) 1 1/4" LONG SELF DRILLING SCREW FOR WOOD -4

1 	2 	3 	4
5 	6 	7 	8
9 	10 	11 	

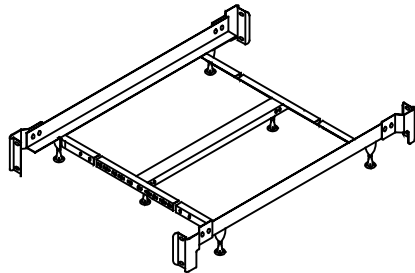
PRODUCT FULLY ASSEMBLED



HEADBOARD PANEL

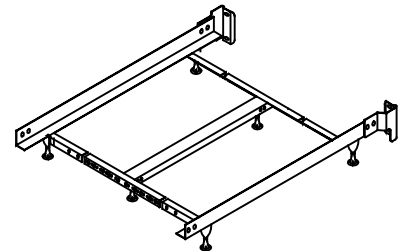


FOOTBOARD PANEL



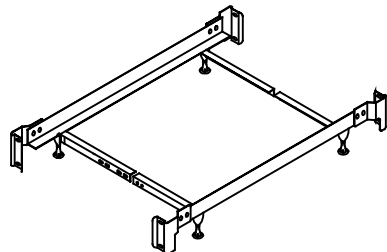
QUEEN - KING BED FRAME FULLY ASSEMBLED

NOTE: SEE INSTRUCTIONS INCLUDED IN FRAME CARTON FOR FRAME ASSEMBLY



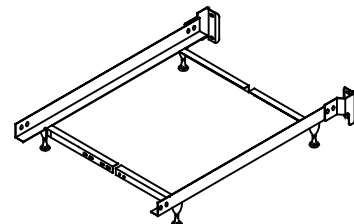
QUEEN - KING HEADBOARD ONLY FRAME FULLY ASSEMBLED FRAMES

NOTE: SEE INSTRUCTIONS INCLUDED IN FRAME CARTON FOR FRAME ASSEMBLY



TWIN - FULL BED FRAME FULLY ASSEMBLED

NOTE: SEE INSTRUCTIONS INCLUDED IN FRAME CARTON FOR FRAME ASSEMBLY



TWIN - FULL HEADBOARD ONLY FRAME FULLY ASSEMBLED

NOTE: SEE INSTRUCTIONS INCLUDED IN FRAME CARTON FOR FRAME ASSEMBLY

Instruction Sheet

SAVE ALL PACKAGING MATERIALS UNTIL PRODUCT IS FULLY ASSEMBLED. HARDWARE AND SMALL PIECES MAY NOT BE SEEN AND BE ACCIDENTALLY DISCARDED WITH PACKAGING MATERIALS.

FIGURE 1

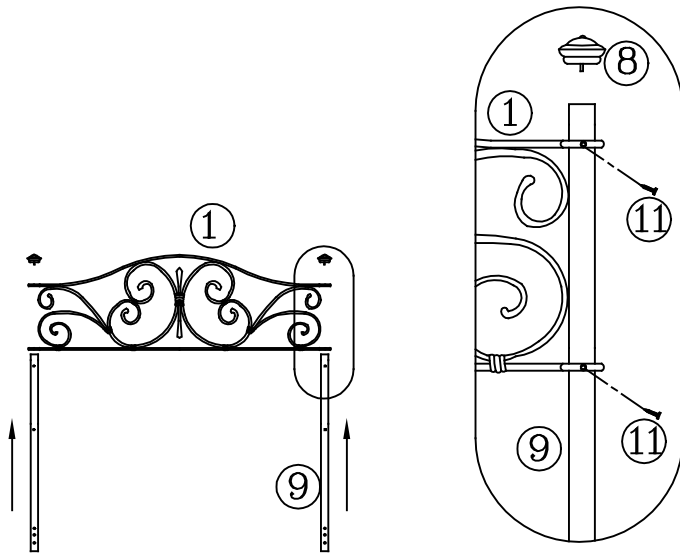


FIGURE 2

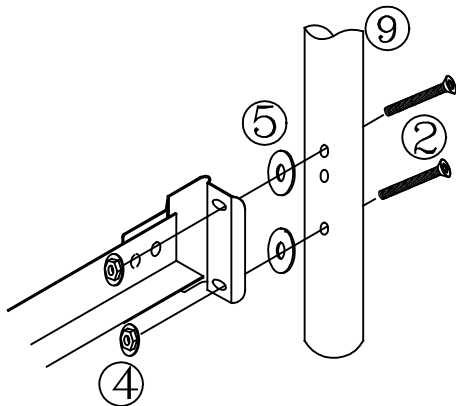
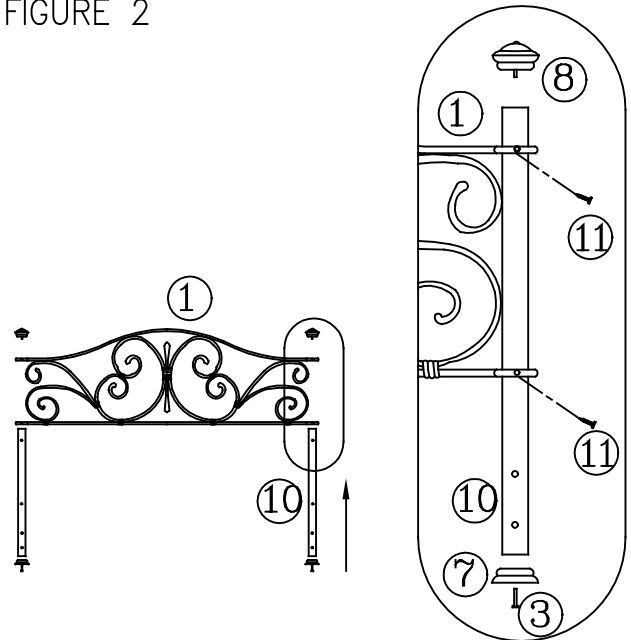


FIGURE 3

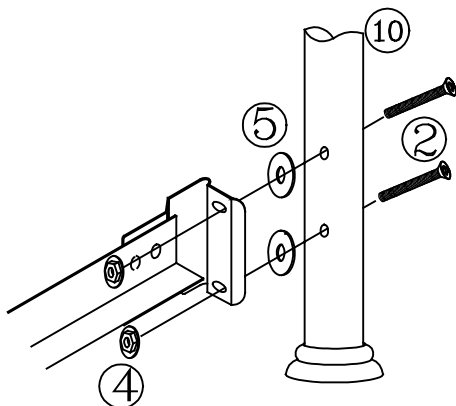


FIGURE 4

Step 1

- Note: Use long posts for headboard assembly.
- Place grill (1) on a flat surface for easy assembly. Making sure welding joints are facing up.
- Insert post (9) thru rings on grill (1). Be sure to align pre-drill holes in post (9) with holes in rings.
- Now insert self drilling screw (11) thru ring into post (9).
- Do the same on other post. For assembly of footboard follow same instructions as for headboard. Make sure all wood screws are tighten. (See Fig.1 & 2)

Step 2

- Secure foot casting (7) with screw (3) under post (10). (See Fig.2)
- Screw finial (8) on top of headboard and footboard posts. (See Fig.1 & 2)

Step 3

- Place headboard and frame in desired location in room.
- Place 2 screws (2) through holes located in post (9). (See Figure 3) Slide rubber washer (5) over screw (2).
- Align bed frame bracket over screws.
- Place a nut (4) on each screw. Hand-tighten, DO NOT TIGHTEN screws all the way.
- Repeat on other side of headboard.
- Tighten all screws securely using the Allen wrench.

Step 4

- Position footboard panel and align holes in the post with holes in the frame bracket. (See figure 4)
- Place 2 screws (2) through holes located in post (10). (See Figure 3) Slide rubber washer (5) over screw (2).
- Align bed frame bracket over screws.
- Place a then a nut (4) on each screw. Hand-tighten, DO NOT TIGHTEN screws all the way.
- Repeat on other side of footboard panel.
- Tighten all screws securely using the Allen wrench.