

Fashion Bed Group

A Division of Leggett & Platt Incorporated
5950 West 51st Street - Chicago, IL 60638

Parts List For Fraser Daybed

PART #328901 HARDWARE BAG FOR DAYBED

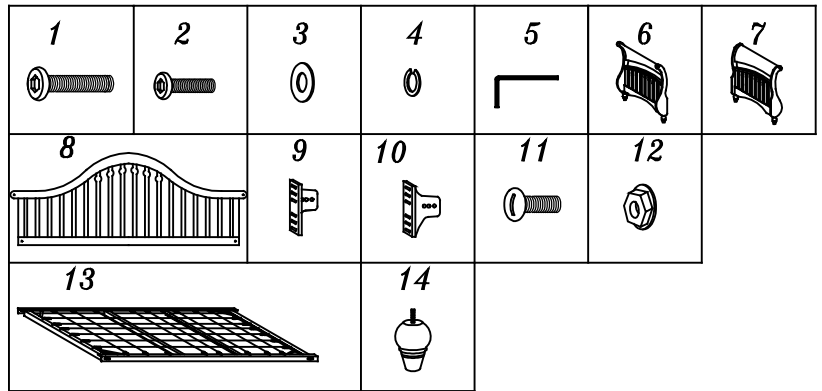
- (1) 1/4-20 X 1 1/2" FLAT ALLEN HEAD SCREW-4
- (2) 1/4-20 X 1" FLAT ALLEN HEAD SCREW-8
- (3) 5/8" OD METAL WASHER-8
- (4) 1/4" ID LOCK WASHER-8
- (5) ALLEN WRENCH-1

DAYBED PARTS:

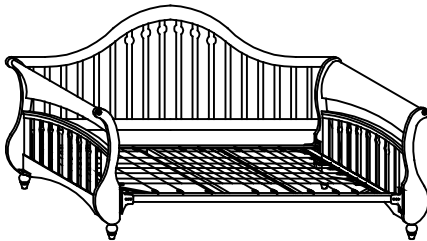
- (6) LEFT SIDE-1
- (7) RIGHT SIDE-1
- (8) BACK PANEL-1
- (14) FOOT-4

LINK SPRING PARTS:

- (9) LEFT BRACKET-2
- (10) RIGHT BRACKET-2
- (11) 5/16-18 SCREW-4
- (12) 5/16-18 HEX NUT-4
- (13) SUPPORT DECK-1

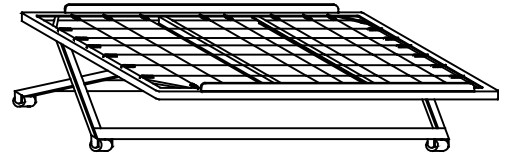
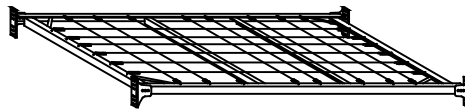


SAVE ALL PACKAGING MATERIALS UNTIL PRODUCT IS FULLY ASSEMBLED. HARDWARE AND SMALL PIECES MAY NOT BE SEEN AND BE ACCIDENTALLY DISCARDED WITH PACKAGING MATERIALS.



DAYBED FULLY ASSEMBLED

MATTRESS LINK SPRING FULLY ASSEMBLED



POP-UP TRUNDLE

Instruction Sheet

NOTES: ●For ease of assembly you will need a helper.
●Periodically retighten all screws.

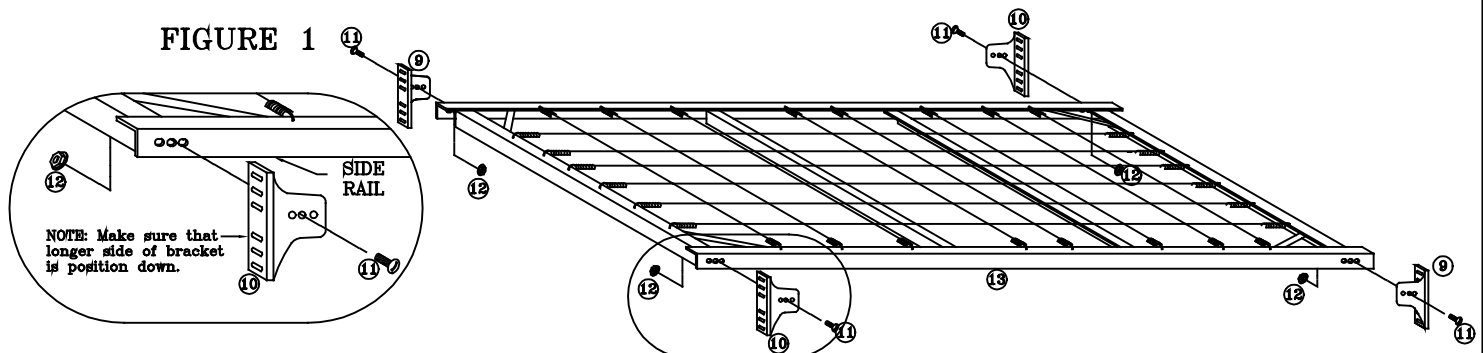
Step 1- Locate Hardware bags for Daybed & Link Spring Assembly

- Hardware bag for assembly Daybed is located inside the daybed carton box.
- Link spring hardware bag is located below the link spring cross bar.

Step 2- Link Spring Assembly

- Attach left & right brackets (9 & 10) to side rails using screws (11) and nuts (12).
See Figure 1

FIGURE 1

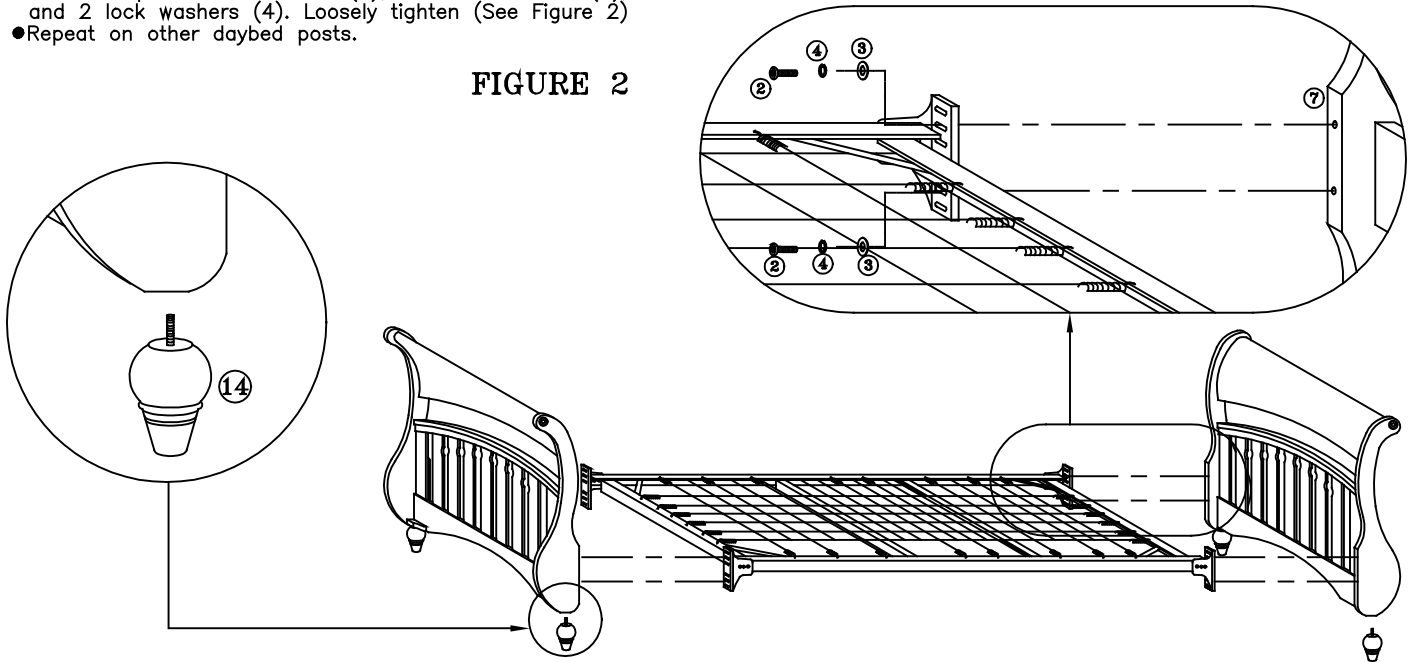


Instruction Sheet

Step 3- Attachment of Link Spring to Daybed sides

- Screw in foot (14) into bottom of left and right sides. (See Figure 2)
- Bolt one metal bracket of the link spring to one daybed side post.
- For each post use 2 screws (2), 2 metal washers (3), and 2 lock washers (4). Loosely tighten (See Figure 2)
- Repeat on other daybed posts.

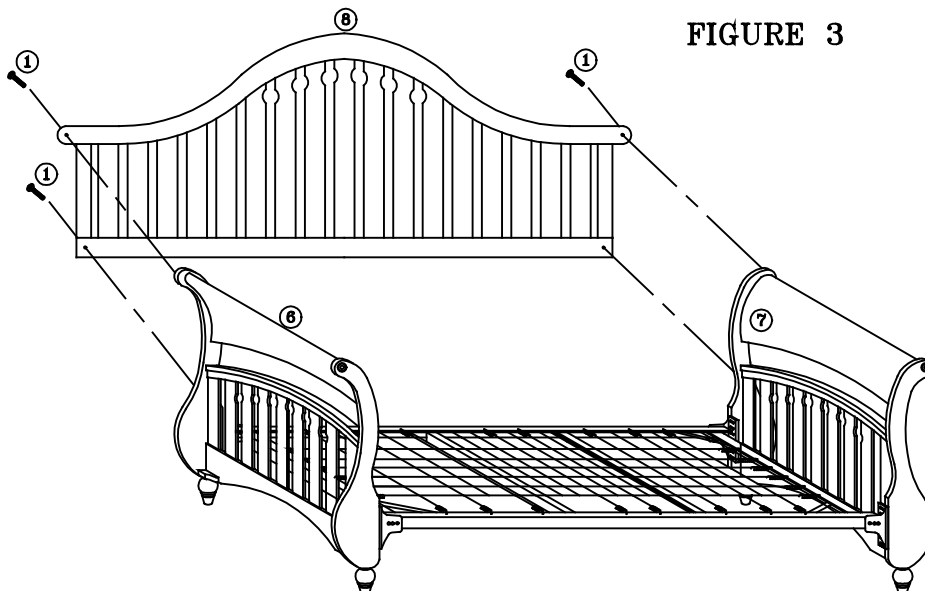
FIGURE 2



Step 4- Attachment of Back panel to Daybed sides

- Align rail ends of back panel (8) to holes in left side (6) back post. (See Figure 3)
- Secure panel to post by using screws (1). DO NOT TIGHTEN SCREWS.
- Repeat same step for assembly of right side (7) back post to back panel. (See Figure 3)
- Tighten all screws with Allen wrenches (5).
- You are now ready for mattress installation.

FIGURE 3



Instruction Sheet

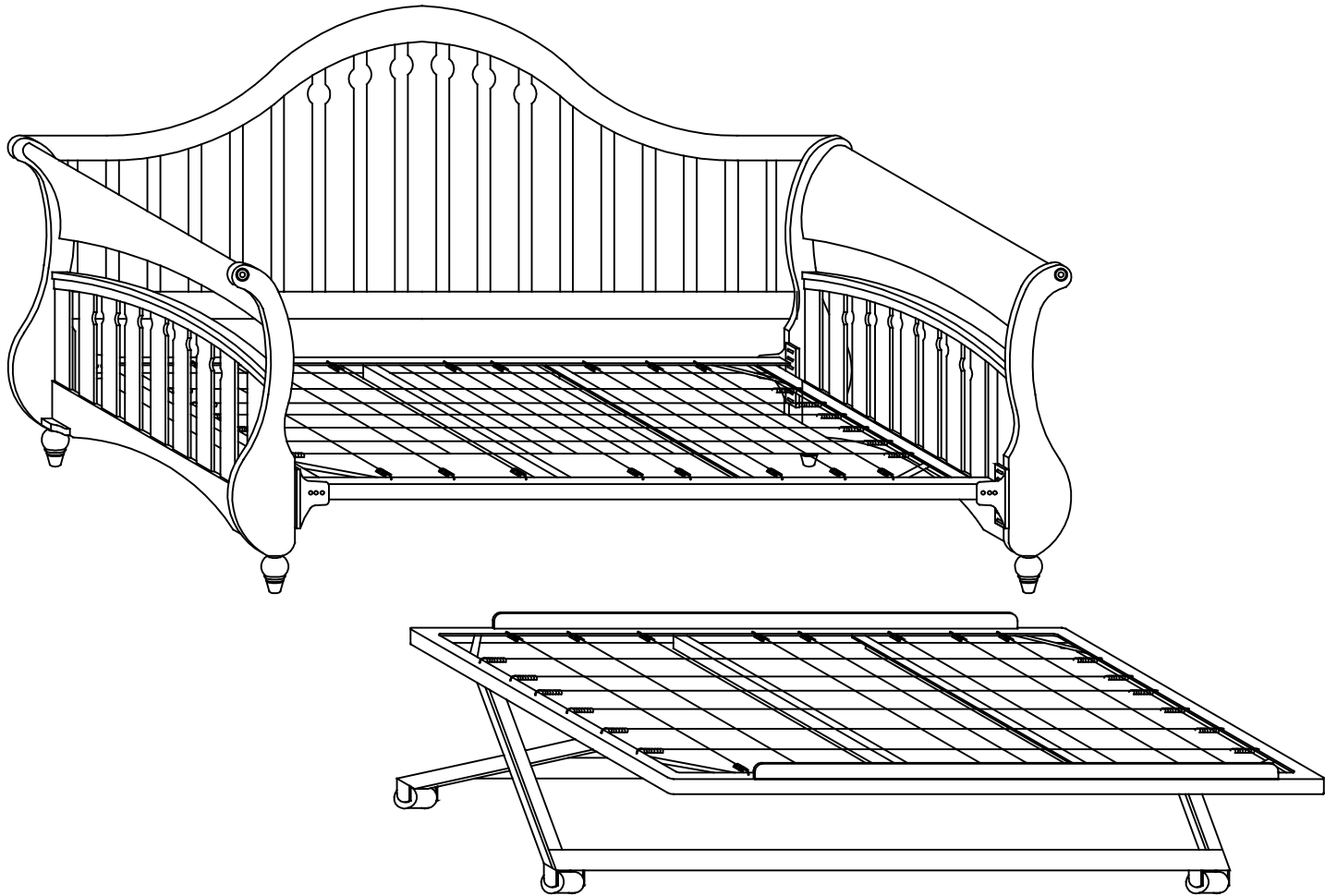


FIGURE 4

FOR ASSISTANCE IN ASSEMBLY ONLY OF THIS PRODUCT. CALL OUR HELP DESK AT 1-800-324-3415, BETWEEN 8:30 AM & 4:30 PM CENTRAL TIME MONDAY THRU FRIDAY. PLEASE HAVE THE STYLE NUMBER AVAILABLE BEFORE YOU CALL. (STYLE # OR NAME CAN BE FOUND ON PACKING CARTON OR SALES RECEIPT.) OUR PRODUCT IS INSPECTED TO ENSURE IT IS IN GOOD CONDITION. IF YOUR FURNITURE APPEARS TO HAVE BEEN DAMAGED IN SHIPMENT OR YOU ARE IN NEED OF REPLACEMENT PARTS PLEASE CONTACT THE DEALER FROM WHOM YOU PURCHASED THE PRODUCT.

Fashion Bed Group

A Division of Leggett & Platt Incorporated
5950 West 51st Street - Chicago, IL 60638

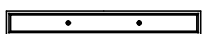







Parts List For Fraser Front Panel

PARTS ENCLOSED:

(1) FRONT PANEL-1

PART #348901 HARDWARE BAG FOR FRONT PANEL

- (2) 1/4-20 X 3/4" FLAT ALLEN HEAD SCREW-4
- (3) 1/4" ID FLAT WASHER-4
- (4) 1/4" ID LOCK WASHER-4
- (5) 3/4" LONG COUNTER SUNK PHILLIPS HEAD SCREW-2
- (6) ALLEN WRENCH
- (7) FORMED WIRE-2
- (8) FORMED MOUNTING CLIP-2

1 	2 	3 	4 
5 	6 	7 	8 

FOR ASSISTANCE IN ASSEMBLY ONLY OF THIS PRODUCT. CALL OUR HELP DESK AT 1-800-324-3415, BETWEEN 8:30 AM & 4:30 PM CENTRAL TIME MONDAY THRU FRIDAY. PLEASE HAVE THE STYLE NUMBER AVAILABLE BEFORE YOU CALL. (STYLE # OR NAME CAN BE FOUND ON PACKING CARTON OR SALES RECEIPT.) OUR PRODUCT IS INSPECTED TO ENSURE IT IS IN GOOD CONDITION. IF YOUR FURNITURE APPEARS TO HAVE BEEN DAMAGED IN SHIPMENT OR YOU ARE IN NEED OF REPLACEMENT PARTS PLEASE CONTACT THE DEALER FROM WHOM YOU PURCHASED THE PRODUCT.

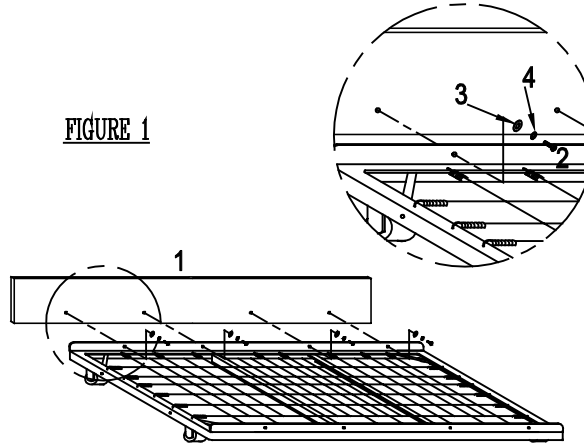
11-21-05

Instruction Sheet

SAVE ALL PACKAGING MATERIALS UNTIL PRODUCT IS FULLY ASSEMBLED. HARDWARE AND SMALL PIECES MAY NOT BE SEEN AND BE ACCIDENTALLY DISCARDED WITH PACKAGING MATERIALS.

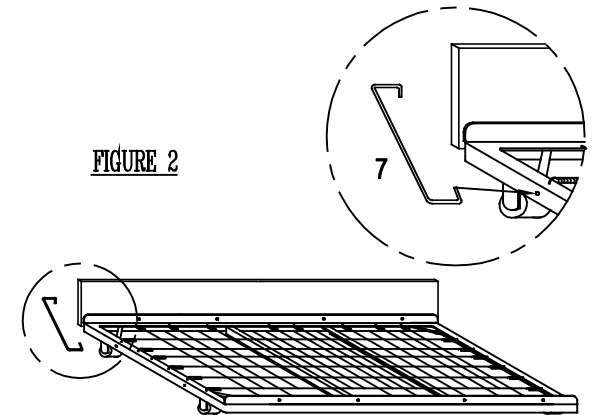
- Step 1**
- Align holes in back panel (1) with holes in roll out unit.
 - Secure connections with screws (2) and washers (3 & 4).
 - Tighten all screws with Allen wrench (6).

FIGURE 1



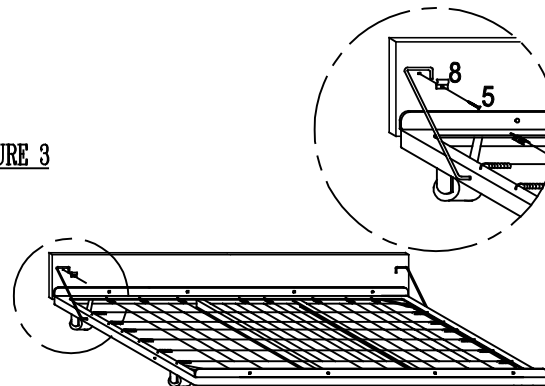
- Step 2**
- Insert one end of formed wires (7) into side hole of roll out unit.

FIGURE 2



- Step 3**
- Secure formed wires (7) to back panel with formed mounting clips (8) and screws (5).
 - TIGHTEN ALL CONNECTIONS

FIGURE 3



FULLY ASSEMBLED

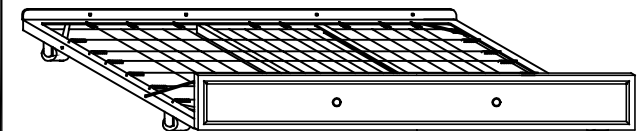


FIGURE 4

3489