

Fashion Bed Group

A Division of Leggett & Platt Incorporated
5950 West 51st Street - Chicago, IL 60638

Part List For Dunhill I

BED CARTONS

HEADBOARD BOX

- (1) HEADBOARD POSTS(2)
- (2) HEADBOARD GRILL(1)
- (3) HEADBOARD RAIL

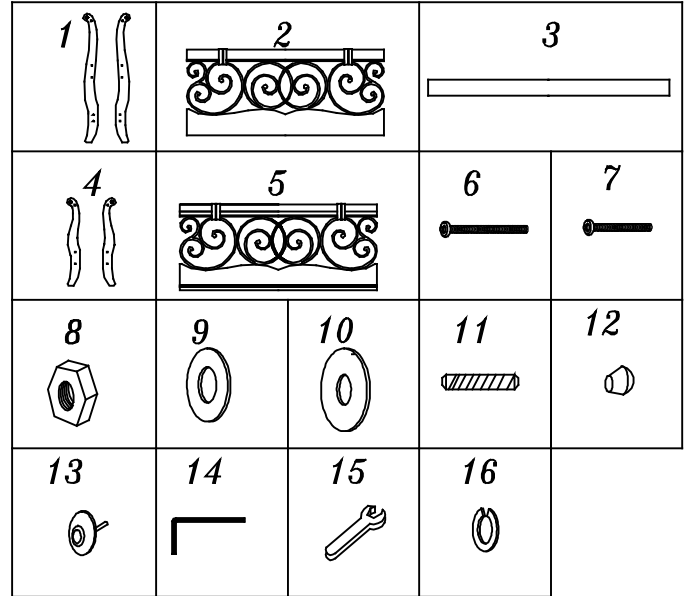
PART #339901 HARDWARE BAG FOR HEADBOARD ASSEMBLY

- (6) 1/4-20 3 1/2" FLAT ALLEN HEAD SCREW-4
- (7) 1/4-20 1 1/4" FLAT ALLEN HEAD SCREW-10
- (8) 1/4-20 HEX NUT-4
- (9) 5/8" OD METAL WASHER-4
- (10) 7/8" OD RUBBER WASHER-4
- (11) #3/8" X 1 1/2" WOOD DOWEL-2
- (12) #1/2" WOOD PLUG-14
- (13) WOOD CAP-2
- (14) ALLEN WRENCH-1
- (15) OPEN-END WRENCH-1
- (16) 1/4" ID LOCK WASHER-4

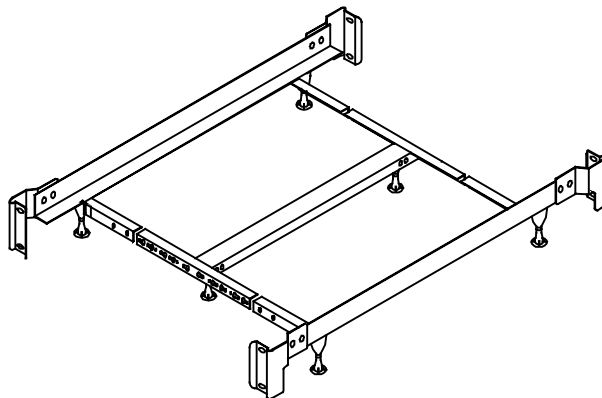
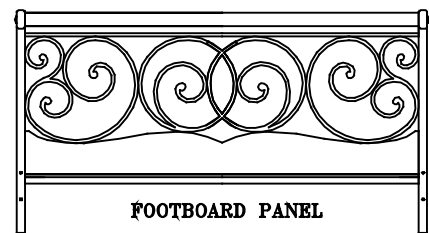
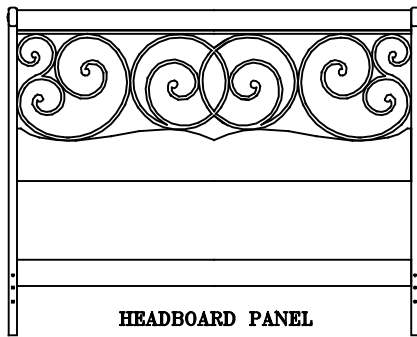
FOOTBOARD BOX

PART #339902 HARDWARE BAG FOR FOOTBOARD ASSEMBLY

- (4) FOOTBOARD POSTS(2)
- (5) FOOTBOARD GRILL(1)
- (6) 1/4-20 3 1/2" FLAT ALLEN HEAD SCREW-4
- (7) 1/4-20 1 1/4" FLAT ALLEN HEAD SCREW-6
- (8) 1/4-20 HEX NUT-4
- (9) 5/8" OD METAL WASHER-4
- (10) 7/8" OD RUBBER WASHER-4
- (11) #3/8" X 1 1/2" WOOD DOWEL-2
- (12) #1/2" WOOD PLUG-8
- (13) WOOD CAP-2
- (14) ALLEN WRENCH-1
- (15) OPEN-END WRENCH-1
- (16) 1/4" ID LOCK WASHER-4

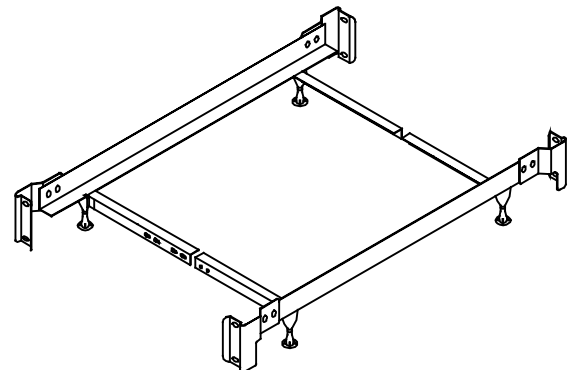


PRODUCT FULLY ASSEMBLED



QUEEN - KING FRAME FULLY ASSEMBLED FRAMES

NOTE: SEE INSTRUCTIONS INCLUDED IN FRAME CARTON FOR FRAME ASSEMBLY



TWIN - FULL FRAME FULLY ASSEMBLED

NOTE: SEE INSTRUCTIONS INCLUDED IN FRAME CARTON FOR FRAME ASSEMBLY

FOR ASSISTANCE IN ASSEMBLY ONLY OF THIS PRODUCT. CALL OUR HELP DESK AT 1-800-324-3415, BETWEEN 8:30 AM & 4:30 PM CENTRAL TIME MONDAY THRU FRIDAY. PLEASE HAVE THE STYLE NUMBER AVAILABLE BEFORE YOU CALL. (STYLE # OR NAME CAN BE FOUND ON PACKING CARTON OR SALES RECEIPT.) OUR PRODUCT IS INSPECTED TO ENSURE IT IS IN GOOD CONDITION. IF YOUR FURNITURE APPEARS TO HAVE BEEN DAMAGED IN SHIPMENT OR YOU ARE IN NEED OF REPLACEMENT PARTS PLEASE CONTACT THE DEALER FROM WHOM YOU PURCHASED THE PRODUCT.

Instruction Sheet

FIGURE 6

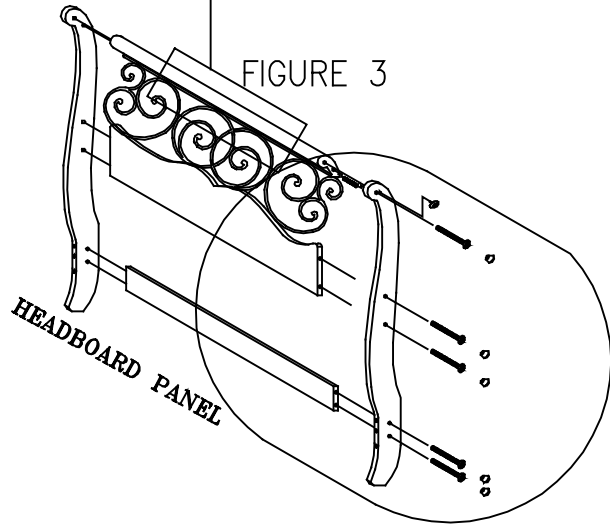
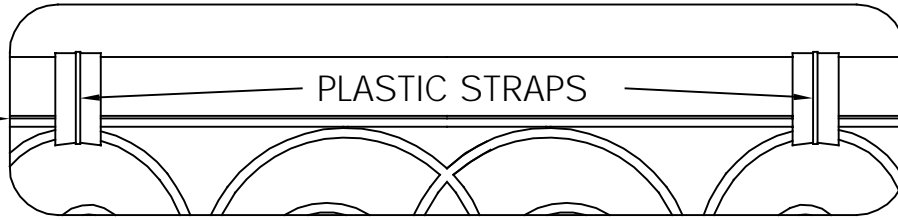


FIGURE 3

FIGURE 1

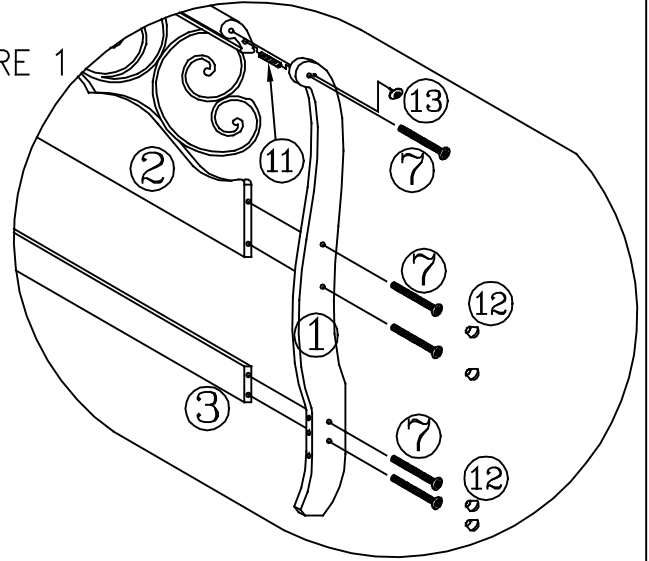


FIGURE 5

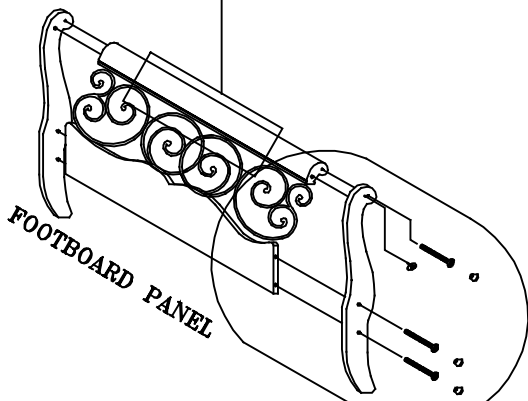
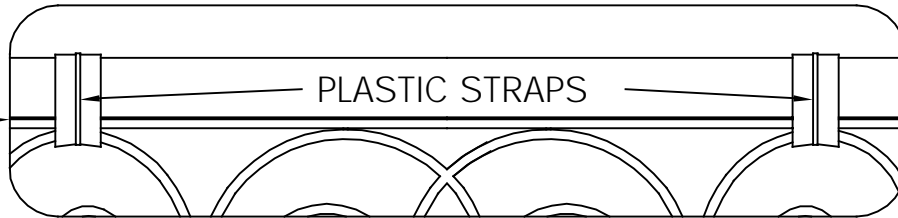
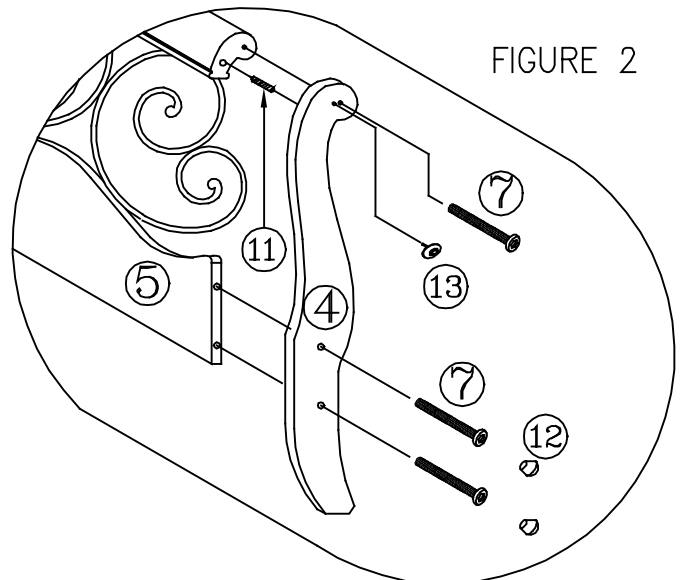


FIGURE 4

FIGURE 2



Instruction Sheet

SAVE ALL PACKAGING MATERIALS UNTIL PRODUCT IS FULLY ASSEMBLED. HARDWARE AND SMALL PIECES MAY NOT BE SEEN AND BE ACCIDENTALLY DISCARDED WITH PACKAGING MATERIALS.

FIGURE 7

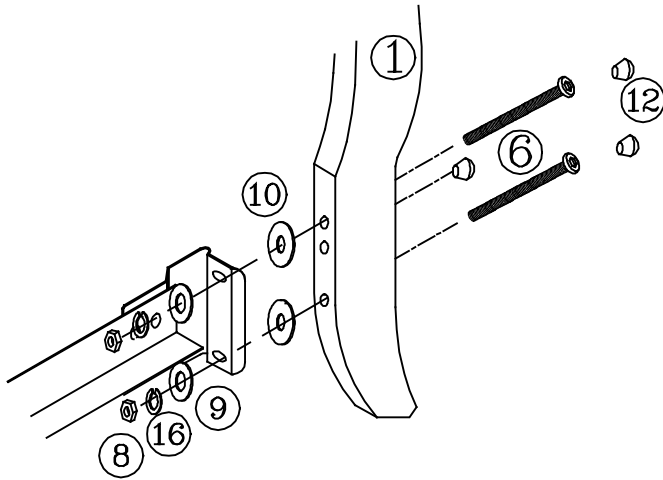
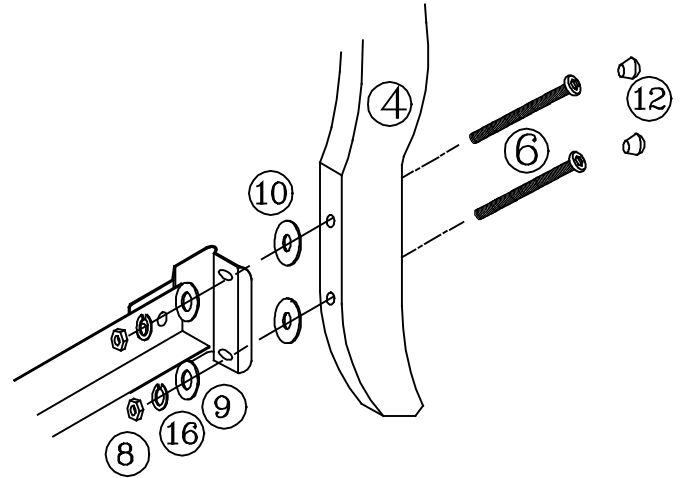


FIGURE 8



NOTE: DO NOT REMOVE PLASTIC STRAPS FROM FOOTBOARD AND HEADBOARD GRILLS UNTIL ASSEMBLY IS FINISHED.
SEE FIGURES 5 & 6

Step 1

- Insert wood dowels (11) into unthreaded bottom hole in top wood rail. (See Figure 1)
- Align small holes in post (1) with hole and wood dowel end in top wood rail. (See Figure 1)
- Secure connection with screw (7). HAND-TIGHTEN, Do not tighten screw all the way. (See Figure 1)
- Secure bottom of grill (2) with screws (7). HAND-TIGHTEN, Do not tighten screw all the way. (See Figure 1)
- Assemble headboard rail (3) by aligning end holes with headboard post (1) small holes.
- Secure connections with screws (7). HAND-TIGHTEN, Do not tighten screw all the way. (See Figure 1)
- Repeat same step for the assembly of the other headboard post.
- Assemble footboard using same step. (See Figures 2 & 4)

Step 2

- Place headboard and frame in desired location in room.
- Place 2 screws (6) through holes located in post (1). (See Figure 7)
- Place rubber washer (10) over screws.
- Align bed frame bracket over screws.
- Place a washer (9), then lock washer (16) second and finally a nut (8) on each screw. Hand-tighten, DO NOT TIGHTEN screws all the way.
- Repeat on other side of headboard.
- Tighten all screws securely using the Allen wrench and open wrench.

Step 3

- Position footboard panel and align holes in the post (4) with holes in frame bracket. (See Figure 8)
- Place 2 screws (6) through holes located in post (4). (See Figure 8)
- Place rubber washer (10) over screws.
- Align bed frame bracket over screws.
- Place a washer (9), then lock washer (16) second and finally a nut (8) on each screw. Hand-tighten, DO NOT TIGHTEN screws all the way.
- Repeat on other side of footboard.
- Tighten all screws securely using the Allen wrench and Open wrench.

Step 4

- Push in wood caps (13) into small top holes in posts. (See Figures 1 & 2)
- Cover each screw hole with wood plug (12). (See Figure 1, 2, 7, & 8)