

Fashion Bed Group

A Division of Leggett & Platt Incorporated
5950 West 51st Street - Chicago, IL 60638

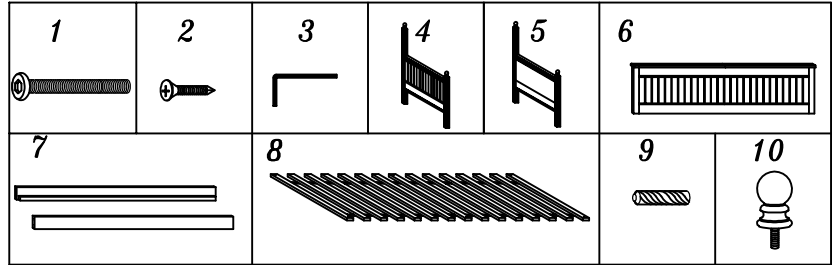
Parts List For Casey II Daybed

PART #331701 HARDWARE BAG FOR DAYBED

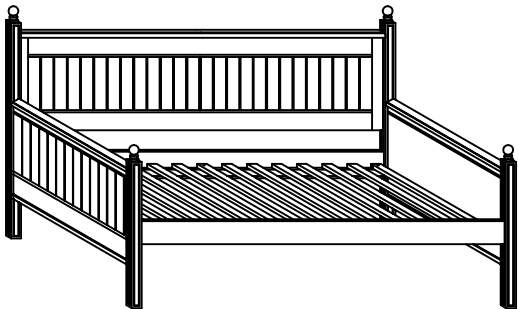
- (1) 1/4-20 X 2 1/2" FLAT ALLEN HEAD SCREW-12
- (2) 1 1/4" LONG BRASS WOOD SCREW-10
- (3) ALLEN WRENCH-1
- (9) 3/8" X 1 1/2" WOOD DOWEL-4

DAYBED PARTS:

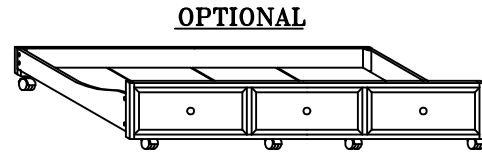
- (4) LEFT SIDE-1
- (5) RIGHT SIDE-1
- (6) BACK PANEL-1
- (7) SIDE RAIL-2
- (8) DECK-1
- (10) FINIAL-4



SAVE ALL PACKAGING MATERIALS UNTIL PRODUCT IS FULLY ASSEMBLED. HARDWARE AND SMALL PIECES MAY NOT BE SEEN AND BE ACCIDENTALLY DISCARDED WITH PACKAGING MATERIALS.



DAYBED FULLY ASSEMBLED



OPTIONAL

TRUNDLE

Instruction Sheet

- NOTES:**
- For ease of assembly you will need a helper.
 - Periodically retighten all screws.

Step 1- Attachment of Side Rails to Daybed sides

- Align end side rail (7) holes with holes in right side (5) front post.
- Secure connection with screws (1) and wood dowels (9). See Figure 1
- Hand-tighten, DO NOT TIGHTEN screws all the way.
- Repeat on other daybed posts.
- Screw in finials (10) onto top of four posts.

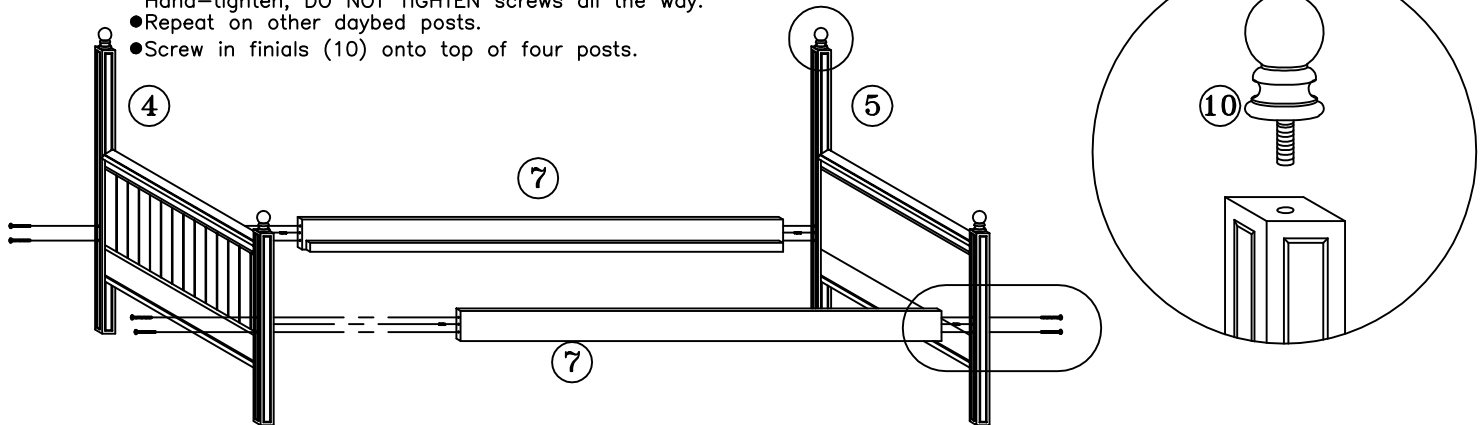
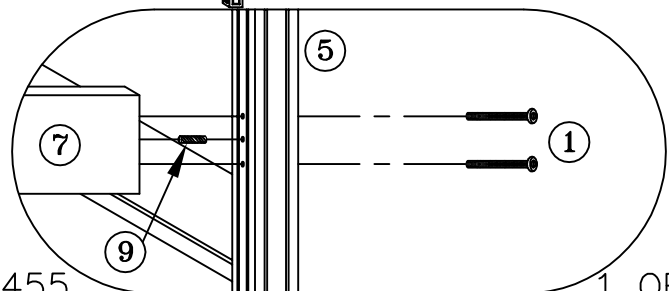


FIGURE 1



Instruction Sheet

Step 2- Attachment of Back Panel to Daybed sides

- Align end holes of back panel (6) to holes in right side (5) back post. See Figure 2
- Secure panel to post by using screws (1). DO NOT TIGHTEN SCREWS.
- Repeat same step for assembly of left side (4) back post to back panel. See Figure 2
- Tighten all screws with Allen wrench (3).

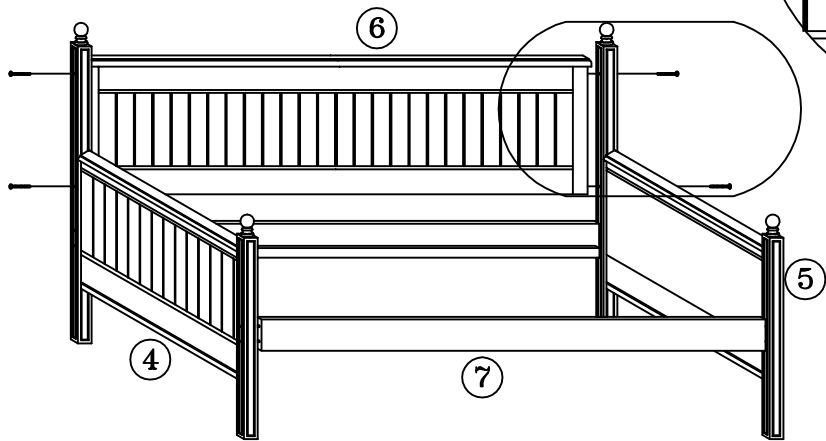
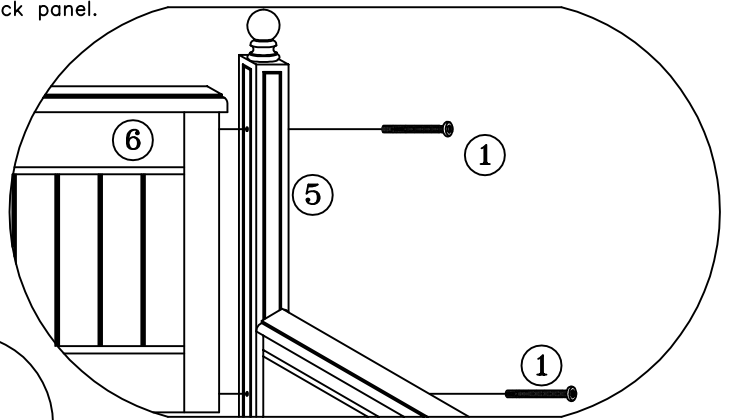


FIGURE 2

Step 3- Attachment of Deck to Side Rails

- Place deck (8) between side rails (7). See Figure 3
- Align holes in side rails (7) with holes in deck (8) slats.
- Secure slats with wood screws (2). Tighten all screws.

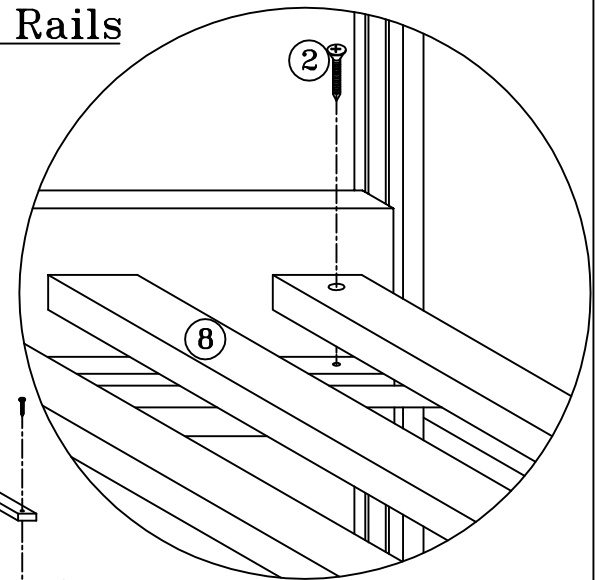
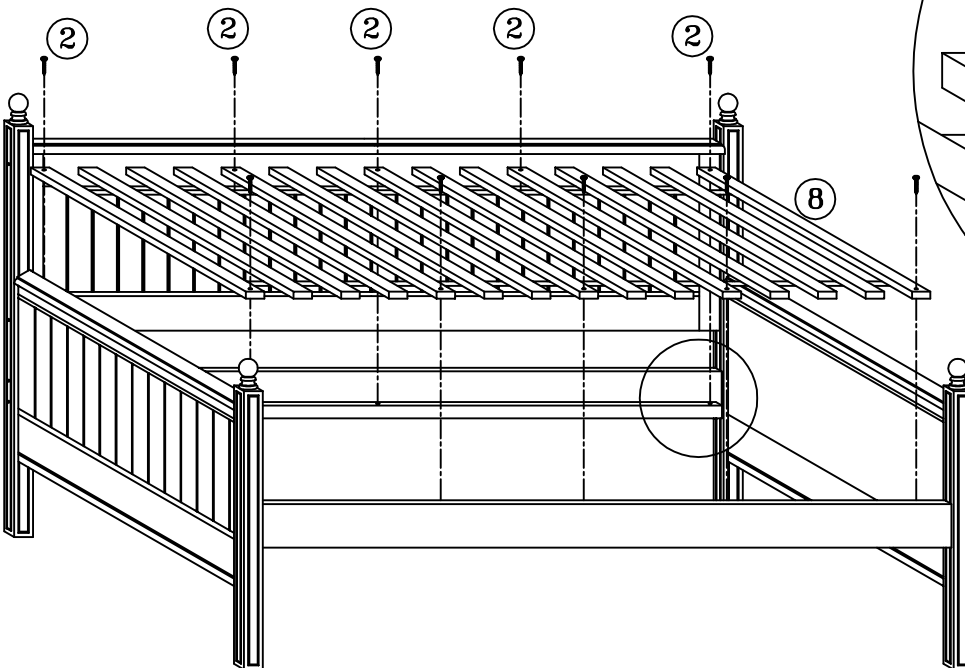
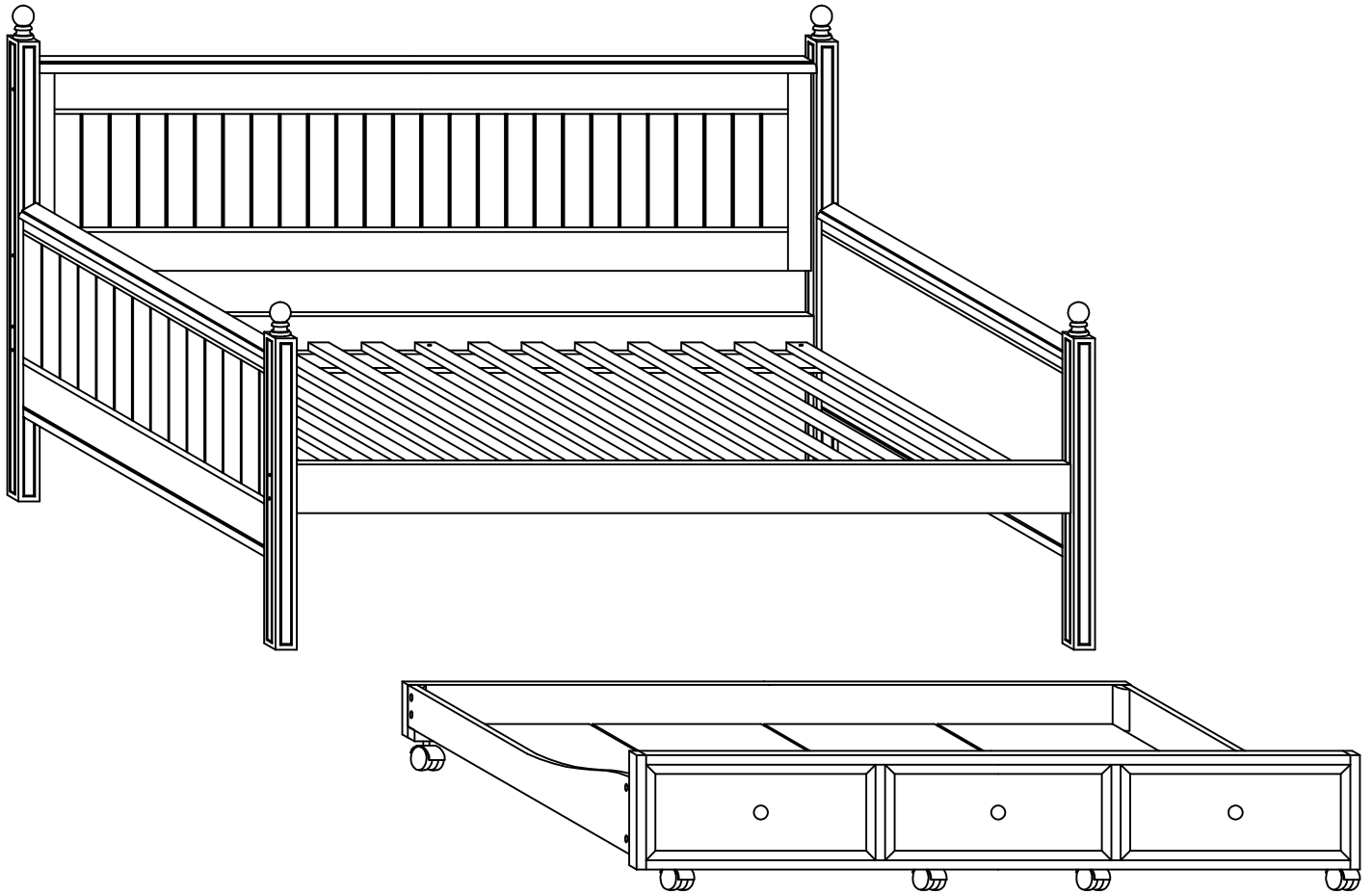


FIGURE 3



Instruction Sheet



OPTIONAL

FIGURE 4

FOR ASSISTANCE IN ASSEMBLY ONLY OF THIS PRODUCT. CALL OUR HELP DESK AT 1-800-324-3415, BETWEEN 8:30 AM & 4:30 PM CENTRAL TIME MONDAY THRU FRIDAY. PLEASE HAVE THE STYLE NUMBER AVAILABLE BEFORE YOU CALL. (STYLE # OR NAME CAN BE FOUND ON PACKING CARTON OR SALES RECEIPT.) OUR PRODUCT IS INSPECTED TO ENSURE IT IS IN GOOD CONDITION. IF YOUR FURNITURE APPEARS TO HAVE BEEN DAMAGED IN SHIPMENT OR YOU ARE IN NEED OF REPLACEMENT PARTS PLEASE CONTACT THE DEALER FROM WHOM YOU PURCHASED THE PRODUCT.

Fashion Bed Group

A Division of Leggett & Platt Incorporated
5950 West 51st Street - Chicago, IL 60638

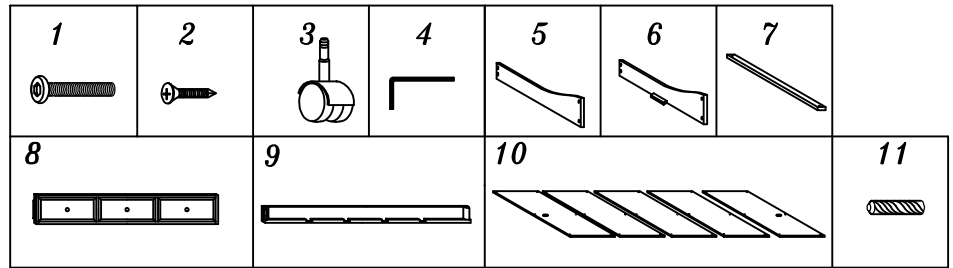
Parts List For Casey II Trundle

PART #331702 HARDWARE BAG FOR TRUNDLE

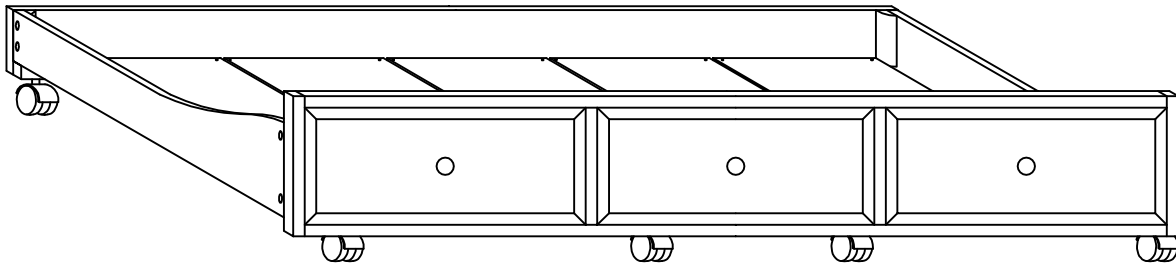
- (1) 1/4-20 X 1 1/2" FLAT ALLEN HEAD SCREW-8
- (2) 1" LONG BRASS WOOD SCREW-38
- (3) CASTER-8
- (4) ALLEN WRENCH-1
- (11) 3/4" X 1 3/8" WOOD DOWEL-2

TRUNDLE BED PARTS:

- (5) LEFT SIDE-1
- (6) RIGHT SIDE-1
- (7) SLAT-4
- (8) FRONT PANEL-1
- (9) BACK PANEL-1
- (10) SUPPORTS-5



SAVE ALL PACKAGING MATERIALS UNTIL PRODUCT IS FULLY ASSEMBLED. HARDWARE AND SMALL PIECES MAY NOT BE SEEN AND BE ACCIDENTALLY DISCARDED WITH PACKAGING MATERIALS.



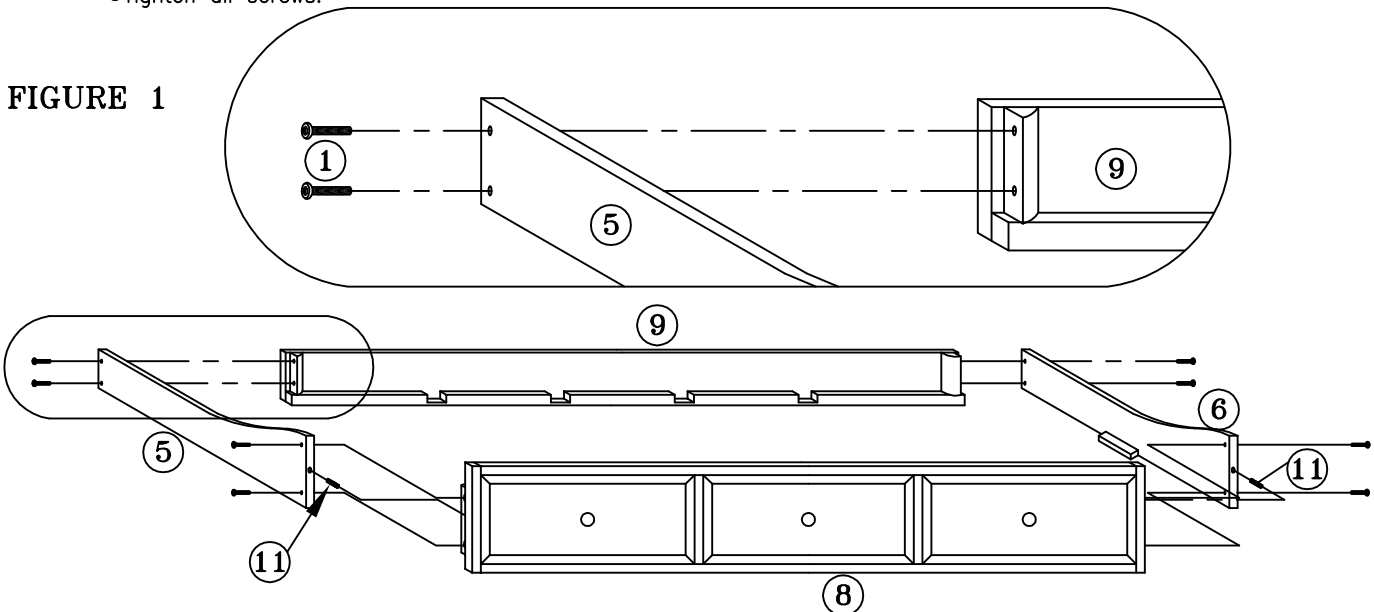
Instruction Sheet

NOTES: •For ease of assembly you will need a helper.
•Periodically retighten all screws.

Step 1- Attachment of Side to Front & Back Panels

- Align left side (5) holes with holes in back panel (9).
- Secure connection with screws (1). See Figure 1
Hand-tighten, DO NOT TIGHTEN screws all the way.
- Repeat on all corners. Use wood dowels (11) for front connections.
- Tighten all screws.

FIGURE 1

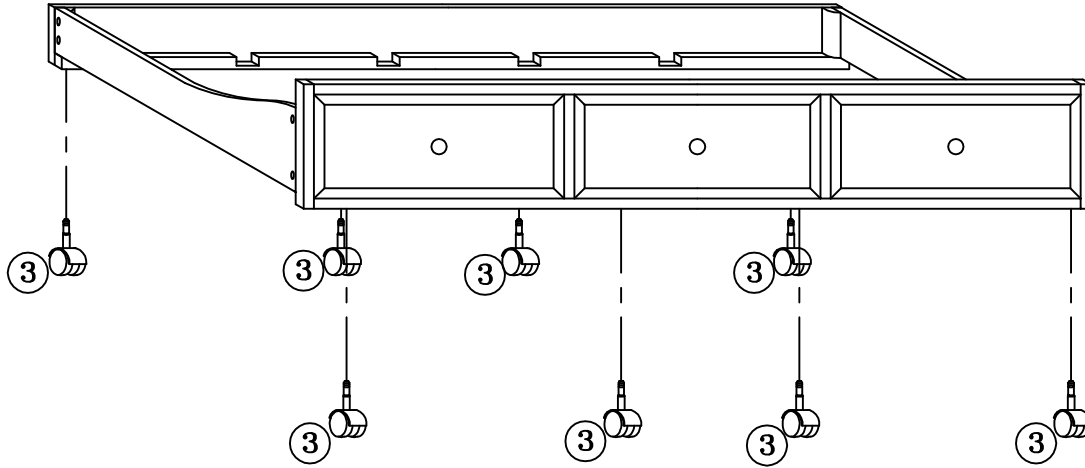


Instruction Sheet

Step 2- Attachment of Caster into Bottom Trundle

- Secure casters (3) into bottom of trundle unit. See Figure 2

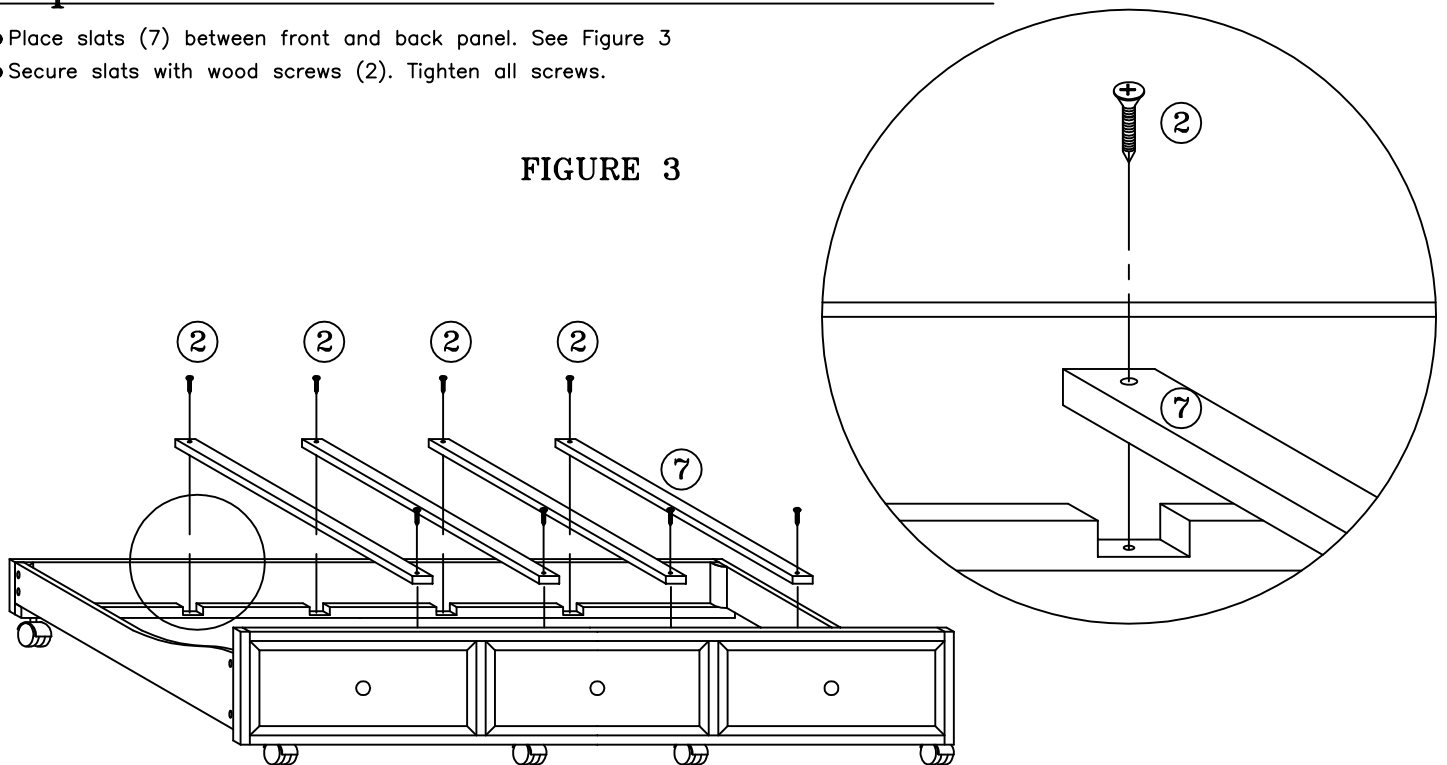
FIGURE 2



Step 3- Attachment of Slats to Trundle

- Place slats (7) between front and back panel. See Figure 3
- Secure slats with wood screws (2). Tighten all screws.

FIGURE 3



Instruction Sheet

Step 4- Drop In Supports into Trundle

- Place supports (10) inside of trundle unit. See Figure 4
- Secure supports (10) with screws (2). See Figure 4

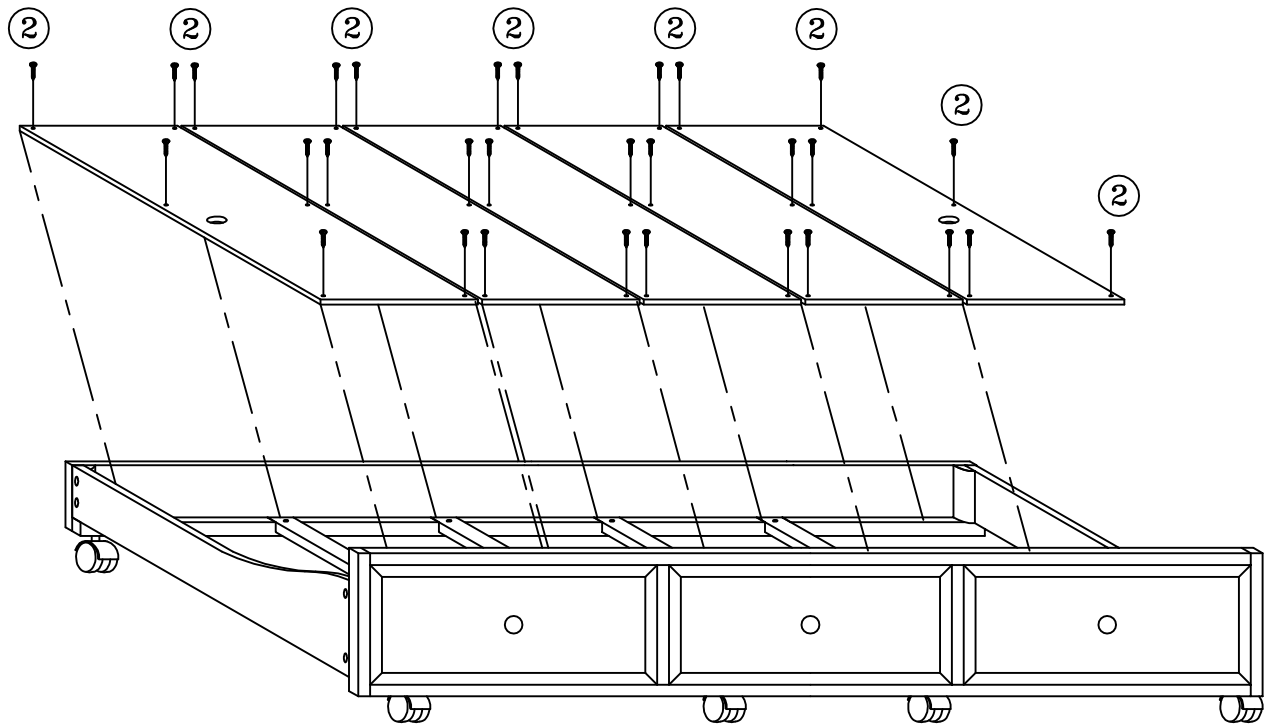


FIGURE 4

FOR ASSISTANCE IN ASSEMBLY ONLY OF THIS PRODUCT. CALL OUR HELP DESK AT 1-800-324-3415, BETWEEN 8:30 AM & 4:30 PM CENTRAL TIME MONDAY THRU FRIDAY. PLEASE HAVE THE STYLE NUMBER AVAILABLE BEFORE YOU CALL. (STYLE # OR NAME CAN BE FOUND ON PACKING CARTON OR SALES RECEIPT.) OUR PRODUCT IS INSPECTED TO ENSURE IT IS IN GOOD CONDITION. IF YOUR FURNITURE APPEARS TO HAVE BEEN DAMAGED IN SHIPMENT OR YOU ARE IN NEED OF REPLACEMENT PARTS PLEASE CONTACT THE DEALER FROM WHOM YOU PURCHASED THE PRODUCT.