

Fashion Bed Group

A Division of Leggett & Platt Incorporated

5950 West 51st Street - Chicago, IL 60638

Parts List For Caroline Daybed

PART #318401 HARDWARE BAG FOR DAYBED FLINT

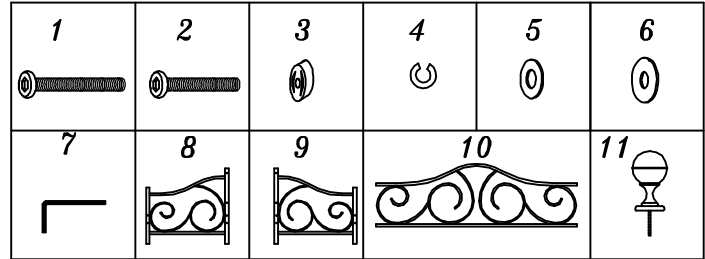
- (1) 1/4-20 X 2 1/8" COUNTERSUNK ALLEN HEAD SCREW-4 BLACK
- (2) 1/4-20 X 1" FLAT ALLEN HEAD SCREW-8 BLACK
- (3) 13/16" ID SEATING RING-4 FLINT
- (4) 1/4" ID LOCK WASHER-8 BLACK
- (5) 5/8" OD METAL WASHER-8 BLACK
- (6) 7/8" OD RUBBER WASHER-8 BLACK
- (7) ALLEN WRENCH

PART #318402 HARDWARE BAG FOR DAYBED WHITE

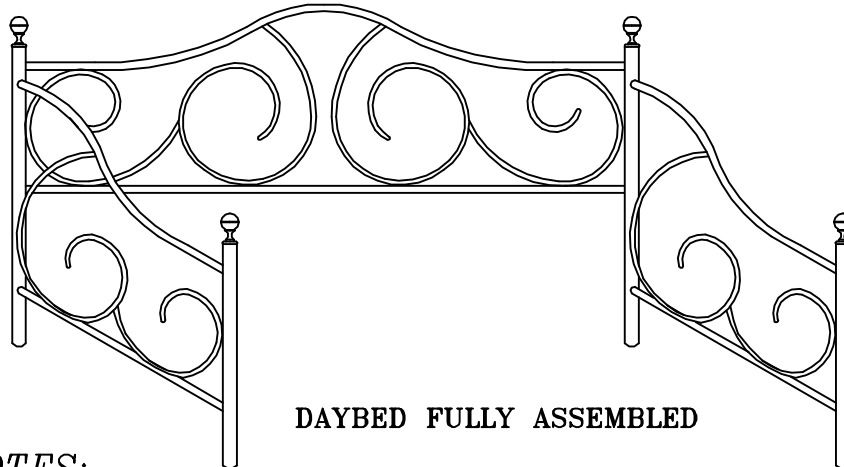
- (1) 1/4-20 X 2 1/8" COUNTERSUNK ALLEN HEAD SCREW-4 BRASS
- (2) 1/4-20 X 1" FLAT ALLEN HEAD SCREW-8 BRASS
- (3) 13/16" ID SEATING RING-4 BRASS
- (4) 1/4" ID LOCK WASHER-8 BRASS
- (5) 5/8" OD METAL WASHER-8 BRASS
- (6) 7/8" OD RUBBER WASHER-8 BRASS
- (7) ALLEN WRENCH

DAYBED PARTS:

- (8) LEFT SIDE-1
- (9) RIGHT SIDE-1
- (10) BACK GRILL-1
- (11) FINIAL-4(FLINT COLOR #318401151& WHITE COLOR #318401120)



SAVE ALL PACKAGING MATERIALS UNTIL PRODUCT IS FULLY ASSEMBLED. HARDWARE AND SMALL PIECES MAY NOT BE SEEN AND BE ACCIDENTALLY DISCARDED WITH PACKAGING MATERIALS.



NOTES:

- For ease of assembly you will need a helper.
- Do not tighten all screws until the mattress support system and the back panel of the daybed have been assembled to the side arms.
- After assembly of the mattress support system and the back panel to the sides tighten all connections
- Periodically retighten all screws.

Step 1

- Align rail ends of back grill (10) to holes in left side (8) back post. Place seating rings (3) between connection. (See Figure 1 & 2)
- Secure grill to post by using screw (1). DO NOT TIGHTEN SCREWS.
- Repeat same step for assembly of right side (9) back post to back panel. (See Figure 1 & 2)

Step 2

- Bolt one end bracket of the mattress support system to one daybed side post.
- For each post use 2 screws (2), 2 lock washers (4), 2 metal washers (5) and 2 rubber washers (6). Loosely tighten (See Figure 3)
- Repeat on other daybed posts.
- Tighten all screws with Allen wrench.
- Screw in finials (11) onto top of posts. (See Figure 1 & 2)
- You are now ready for mattress installation.

Instruction Sheet

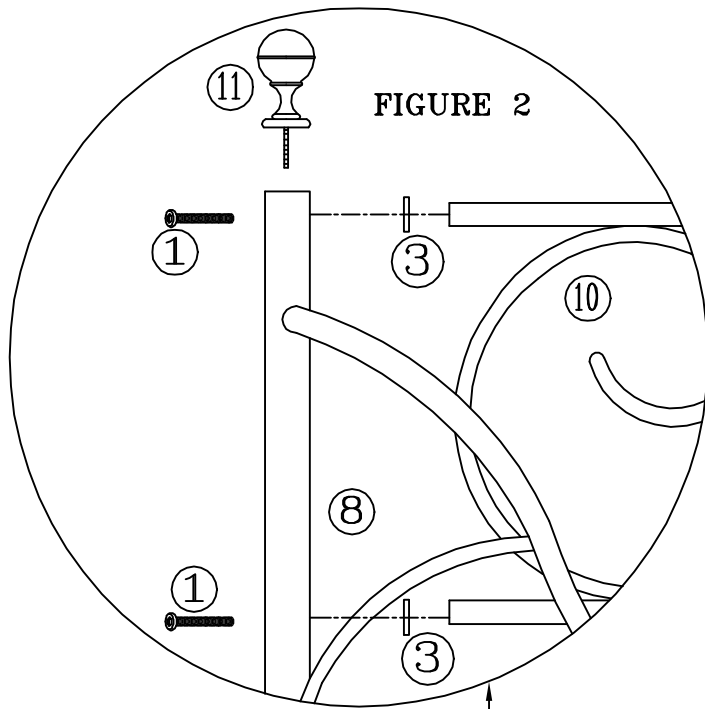


FIGURE 2

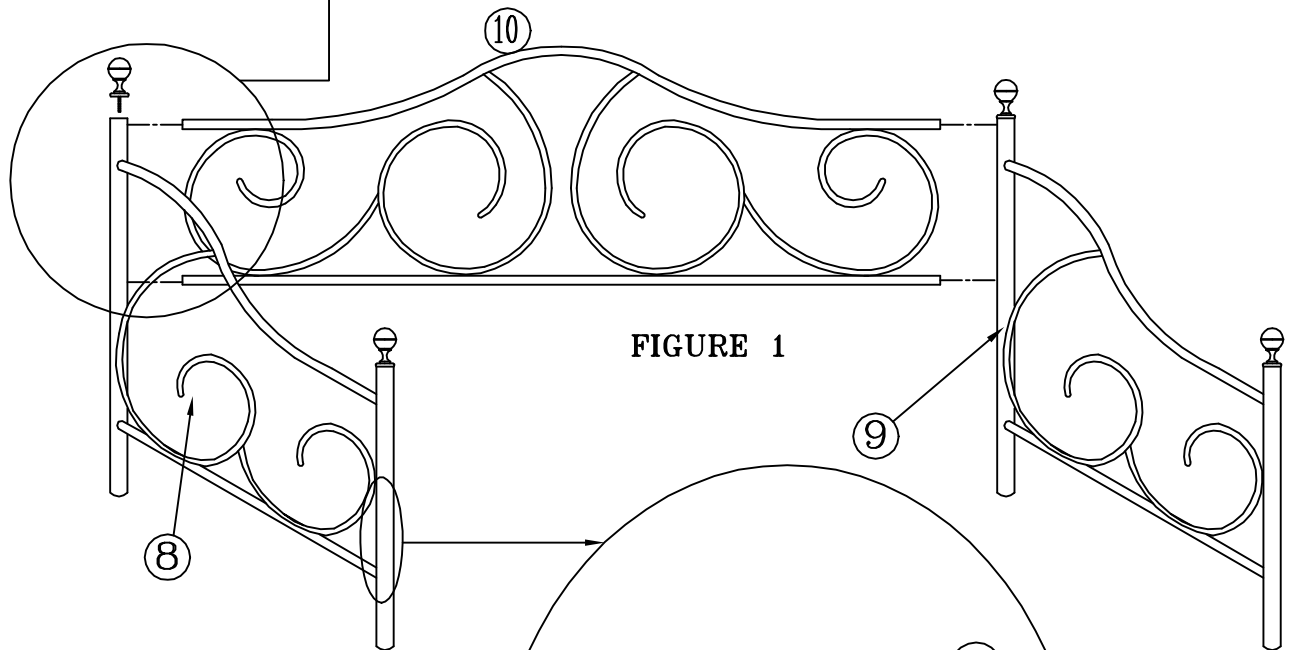


FIGURE 1

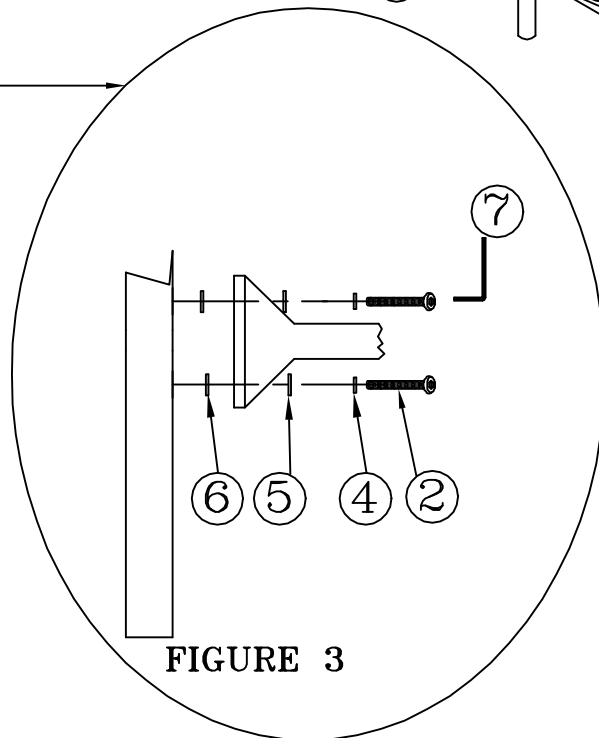


FIGURE 3

FOR ASSISTANCE IN ASSEMBLY ONLY OF THIS PRODUCT. CALL OUR HELP DESK AT 1-800-324-3415, BETWEEN 8:30 AM & 4:30 PM CENTRAL TIME MONDAY THRU FRIDAY. PLEASE HAVE THE STYLE NUMBER AVAILABLE BEFORE YOU CALL. (STYLE # OR NAME CAN BE FOUND ON PACKING CARTON OR SALES RECEIPT.) OUR PRODUCT IS INSPECTED TO ENSURE IT IS IN GOOD CONDITION. IF YOUR FURNITURE APPEARS TO HAVE BEEN DAMAGED IN SHIPMENT OR YOU ARE IN NEED OF REPLACEMENT PARTS PLEASE CONTACT THE DEALER FROM WHOM YOU PURCHASED THE PRODUCT.