

# Fashion Bed Group

A Division of Leggett & Platt Incorporated  
5950 West 51st Street - Chicago, IL 60638

## Panel Parts List

### Components

POST (2)  
PANEL (1)

### Hardware Contents

(A) 1/4-20 X 1 7/8 CONNECTING BOLT (4) #3061012  
(C) 1/4-20 BOLT (4)  
(D) 1/4-20 LOCK NUT /W WASHER - ZINC (4)  
(E) LOCKING HOUSING (4) #306101

### Hardware For Full Size Assembly To Frame

(F) 1/4-20 1 3/4" BOLT (4)

SAVE ALL PACKAGING MATERIALS UNTIL PRODUCT IS FULLY ASSEMBLED. HARDWARE AND SMALL PIECES MAY NOT BE SEEN AND BE ACCIDENTALLY DISCARDED WITH PACKAGING MATERIALS.

FOR ASSISTANCE IN ASSEMBLY ONLY OF THIS PRODUCT. CALL OUR HELP DESK AT 1-800-324-3415, BETWEEN 8:30 AM & 4:30 PM CENTRAL TIME MONDAY THRU FRIDAY. PLEASE HAVE THE STYLE NUMBER AVAILABLE BEFORE YOU CALL. (STYLE # OR NAME CAN BE FOUND ON PACKING CARTON OR SALES RECEIPT.) OUR PRODUCT IS INSPECTED TO ENSURE IT IS IN GOOD CONDITION. IF YOUR FURNITURE APPEARS TO HAVE BEEN DAMAGED IN SHIPMENT OR YOU ARE IN NEED OF REPLACEMENT PARTS PLEASE CONTACT THE DEALER FROM WHOM YOU PURCHASED THE PRODUCT.

# Fashion Bed Group

A Division of Leggett & Platt Incorporated  
5950 West 51st Street - Chicago, IL 60638

## Instruction Sheet

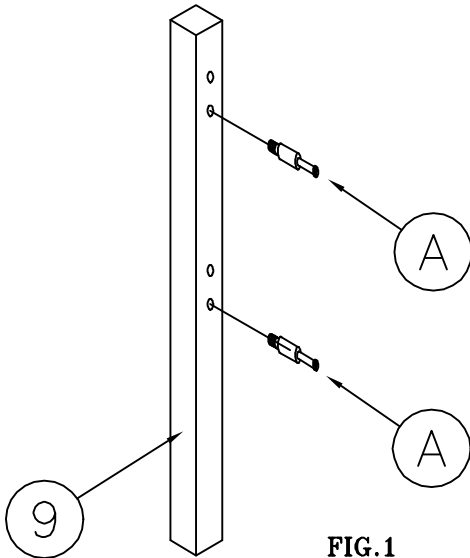


FIG. 1

NOTE: THE ABOVE BED DRAWING IS GENERIC  
AND TO BE USED AS A REFERENCE ONLY

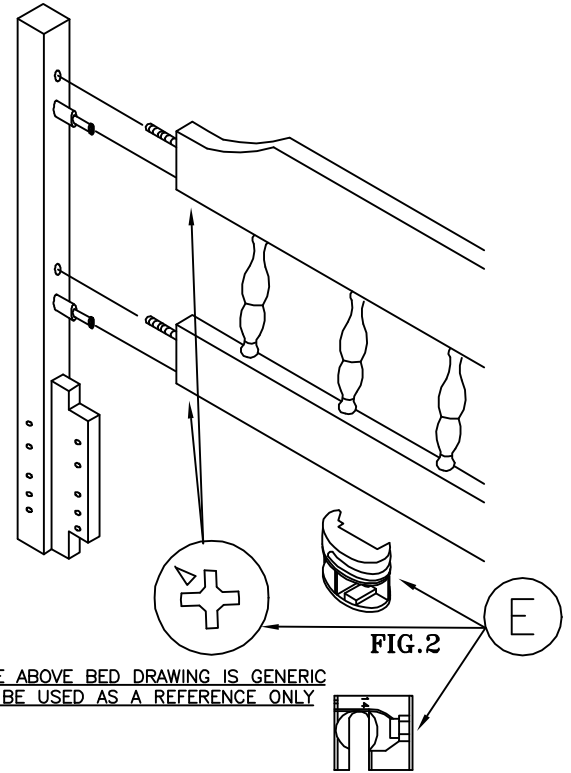


FIG. 2

NOTE: THE ABOVE BED DRAWING IS GENERIC  
AND TO BE USED AS A REFERENCE ONLY

### STEP 1: HEADBOARD ASSEMBLY

STEP 1A: Insert Connecting bolts (A) into post (9). Do not over tighten. (See Fig. 1)

STEP 1B: Insert locking housing (E) into bottom of upper and lower panel rails. Ensure the arrow in locking housing its direction goes towards connecting bolt (A) in post (9).

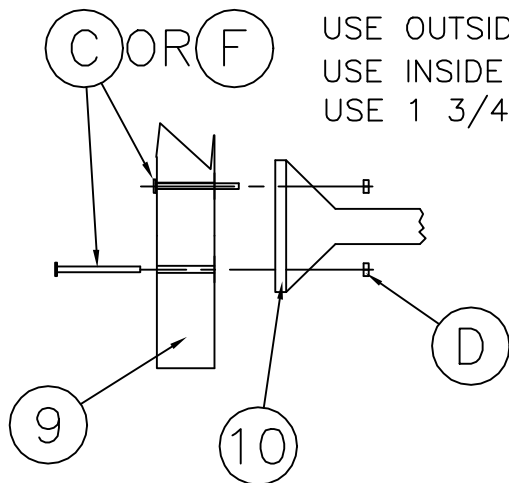
Now Align holes 1st and 3rd in post (9) with wood dowels from panel. Attach grill to post and tighten by turning locking housing clockwise. (See Fig. 2) Do the same for other post.

NOTE: IF YOUR PANEL IS A DUO VERSION (QUEEN OR FULL SIZE)

USE OUTSIDE HOLES FOR BED ASSEMBLY INTO QUEEN SIZE FRAME

USE INSIDE HOLES FOR BED ASSEMBLY INTO FULL SIZE FRAME

USE 1 3/4" SCREWS (F) FOR FULL SIZE FRAME MOUNTING.



HEADBOARD FRAME ASSEMBLY

### ATTACHING THE HEADBOARD TO THE FRAME:

Insert screw (C) thru post (9).  
Align screws in headboard panel post to holes in frame (10). Secure screw with lock nut (D).

REPEAT ON OTHER HEADBOARD POST  
TIGHTEN ALL SCREWS SECURELY.