

Fashion Bed Group

A Division of Leggett & Platt Incorporated
5950 West 51st Street - Chicago, IL 60638

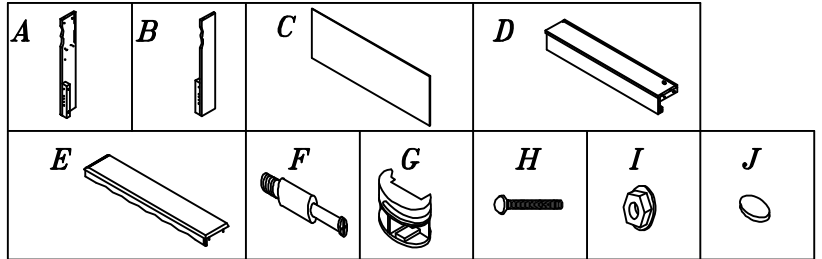
Part List For Barrister HB

PARTS IN BOX:

- (A) RIGHT POST-1
- (B) LEFT POST-1
- (C) BOARD-1
- (D) SHELF-1
- (E) TOP BOARD-1

PART #332401 HARDWARE FOR HB

- (F) 1/4-20 1 3/4" STEEL PIN-10
- (G) ALUMINUM EXTRUDED SELF-LOCKING HOUSING-10
- (H) 1/4-20 2 1/4" SQUARE NECK CARRIAGE SCREW-4
- (I) 1/4-20 FLANGE HEX NUT-4
- (J) PLASTIC GROMMET-1



SAVE ALL PACKAGING MATERIALS UNTIL PRODUCT IS FULLY ASSEMBLED. HARDWARE AND SMALL PIECES MAY NOT BE SEEN AND BE ACCIDENTALLY DISCARDED WITH PACKAGING MATERIALS.

Instruction Sheet

Step 1

- Insert steel pins (F) into posts (A & B) and into bottom of top board (E).
Do not over tighten.(See Fig.1 & Fig.2)
- Insert locking housings (G) into posts (A & B). (See Fig. 1)

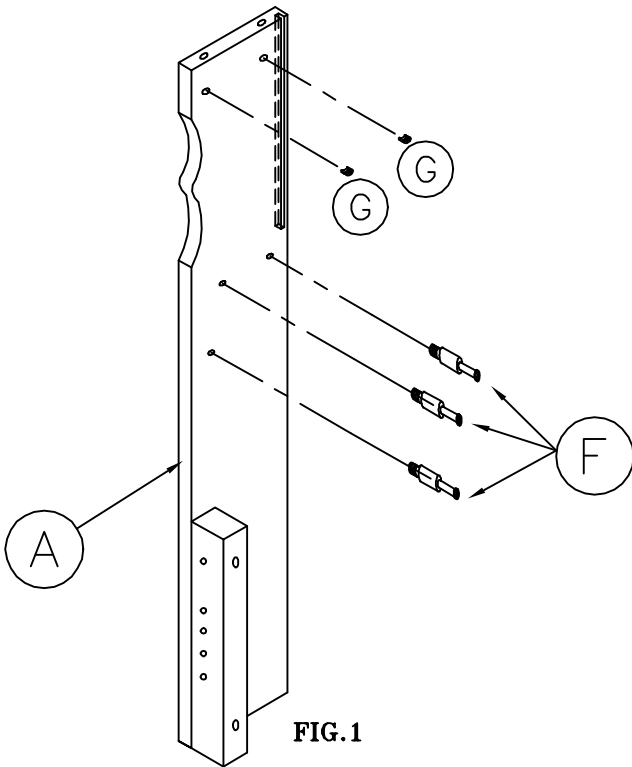


FIG. 1

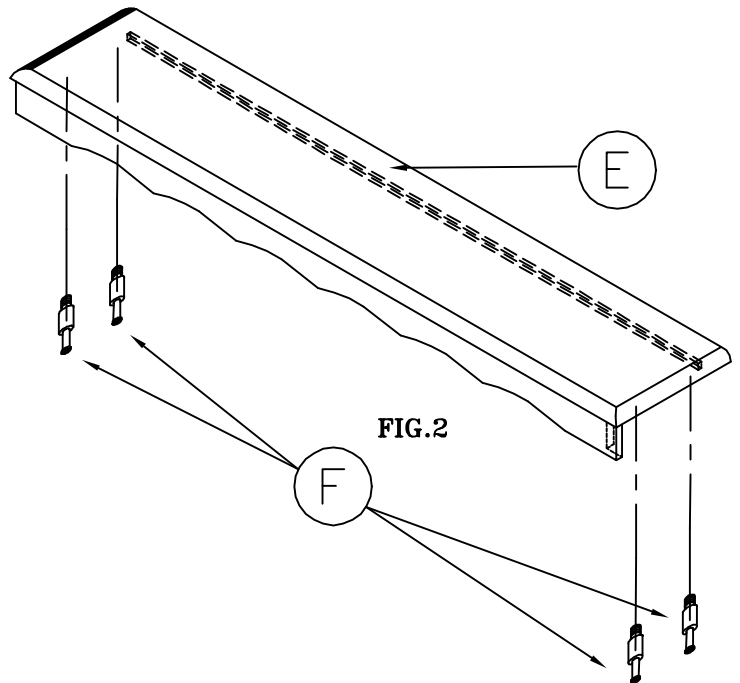


FIG. 2

FOR ASSISTANCE IN ASSEMBLY ONLY OF THIS PRODUCT. CALL OUR HELP DESK AT 1-800-324-3415, BETWEEN 8:30 AM & 4:30 PM CENTRAL TIME MONDAY THRU FRIDAY. PLEASE HAVE THE STYLE NUMBER AVAILABLE BEFORE YOU CALL. (STYLE # OR NAME CAN BE FOUND ON PACKING CARTON OR SALES RECEIPT.) OUR PRODUCT IS INSPECTED TO ENSURE IT IS IN GOOD CONDITION. IF YOUR FURNITURE APPEARS TO HAVE BEEN DAMAGED IN SHIPMENT OR YOU ARE IN NEED OF REPLACEMENT PARTS PLEASE CONTACT THE DEALER FROM WHOM YOU PURCHASED THE PRODUCT.

Instruction Sheet

Step 2

- Insert locking housings (G) into bottom of shelf (D) and posts (A & B). Make sure the arrow in the locking housing is pointing towards steel pins (F) in posts (A & B) and top board (E). (See Fig.3)
- Now Align holes in shelf (D) with steel pins in posts (A & B). Attach shelf to post and tighten by turning locking housing clockwise. (See Fig.3 & 4)
- Place board (C) between posts. Then insert steel pins in board (E) into posts (A & B) top holes.
- Secure top board by turning locking housings clockwise. Insert plastic grommet (J) on top of shelf (D) (See Fig. 5)

FIG.3

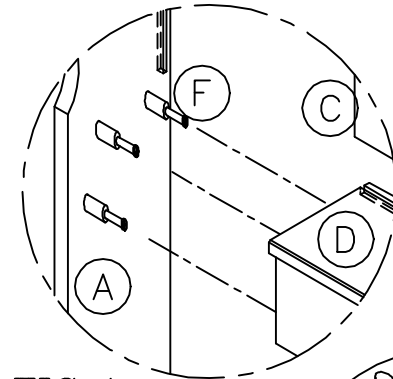
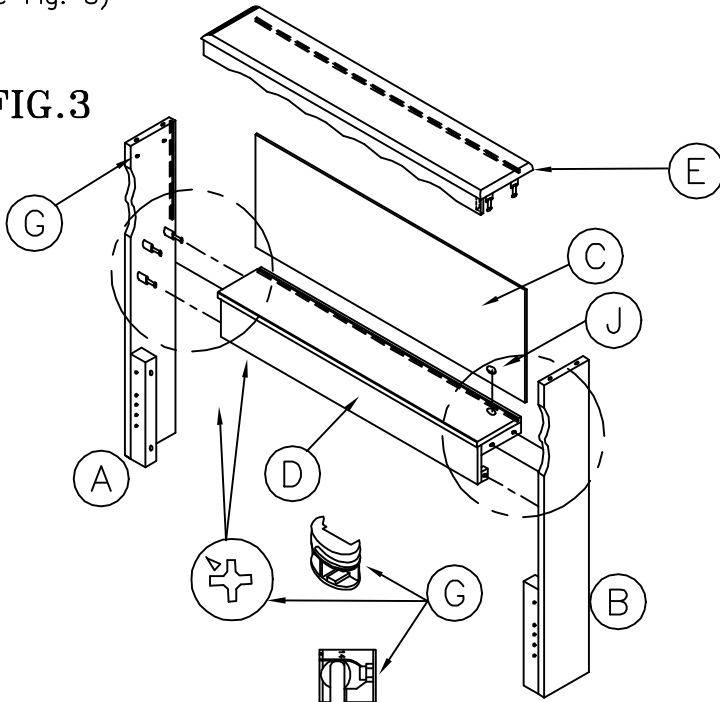


FIG.4

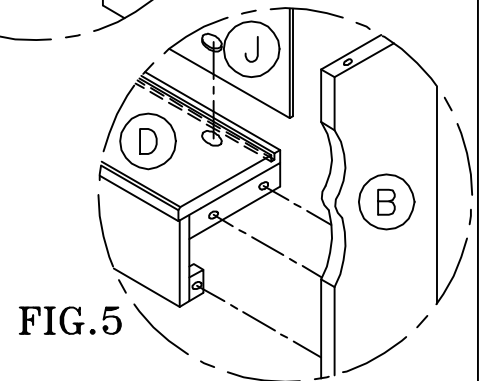


FIG.5

Step 3

- Insert screw (H) thru post (A).
- Align screws in headboard panel post to holes in frame bracket. Secure screw with nut (I). (See Fig. 6)
- REPEAT ON OTHER HEADBOARD POST
- TIGHTEN ALL SCREWS SECURELY.

FIG.6

