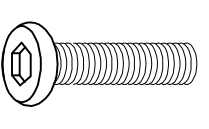
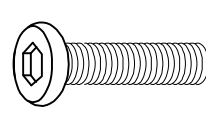
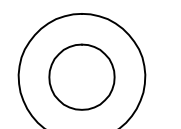



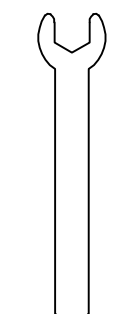
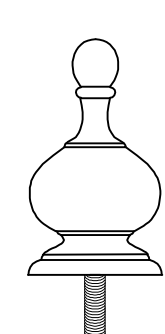
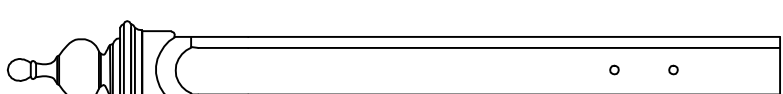
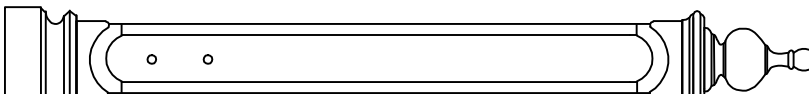
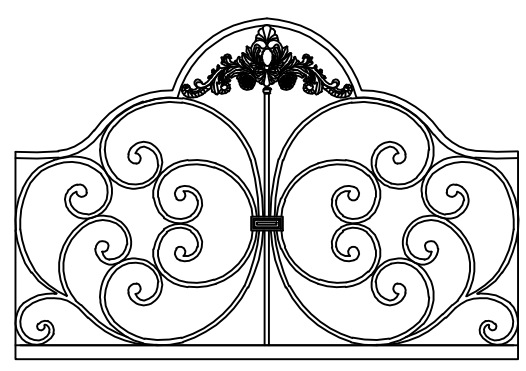
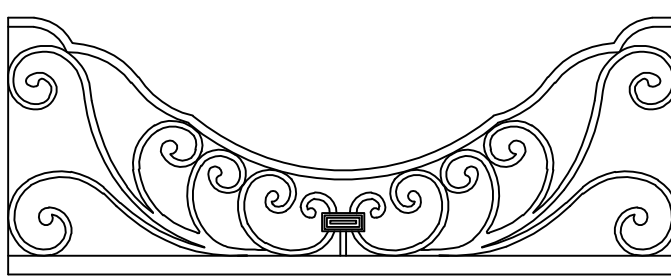
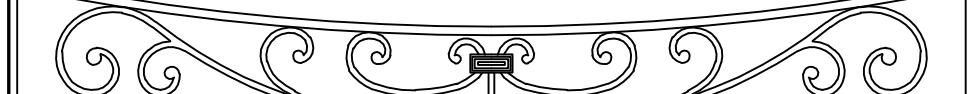
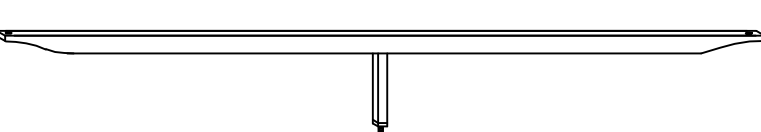
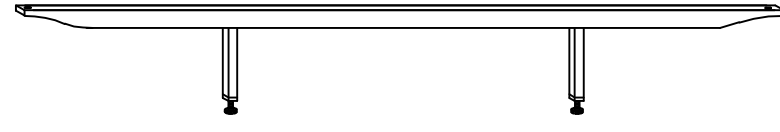
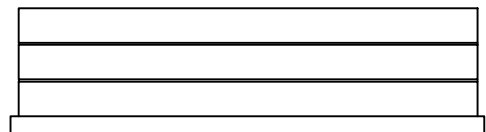


Fashion Bed Group

A Division of Leggett & Platt Incorporated
5950 West 51st Street - Chicago, IL 60638

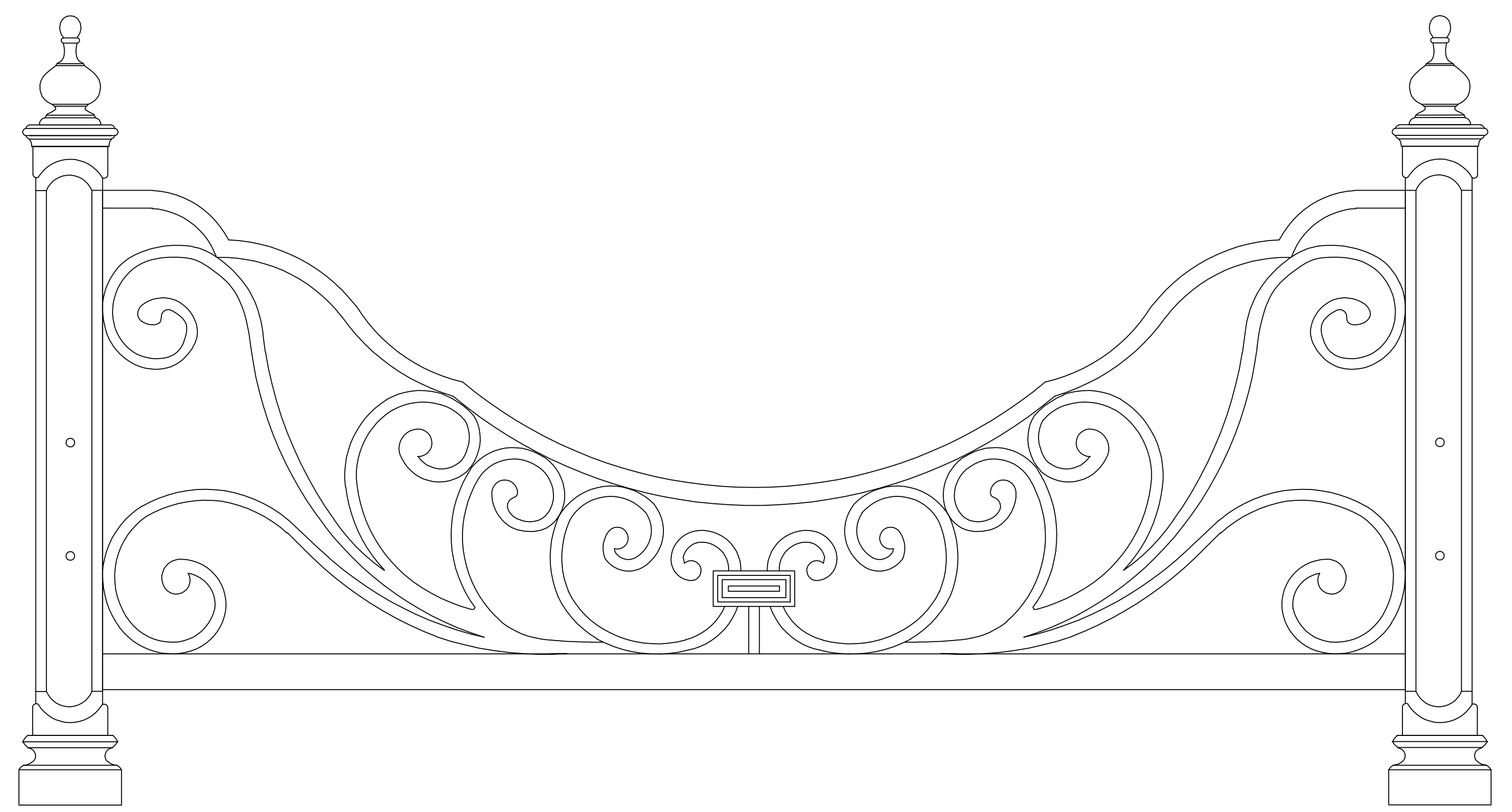
Parts List For Baroque Bed

GRILL CARTON	POST CARTON	1	2	3	4	5	6	7
PART #363001 HARDWARE BAG FOR BED (1) 1/4-20 X 1" COUNTER SUNK ALLEN HEAD SCREW-8 (2) 1/4-20 X 1' FLAT ALLEN HEAD-14 (3) 5/8" OD FLAT METAL WASHER-20 (4) 1/4" OD LOCK METAL WASHER-6 (5) 1/4 -20 HEX NUTS-6 (6) ALLEN WRENCH-1 (7) OPEN WRENCH-1 (11) HEADBOARD GRILL-1 (12) FOOTBOARD GRILL-1 (16) PLASTIC GLIDE-4 #363003 Note: GLIDES COME PRE-INSERTED	(8) FINIALS-4 #363002 (9) HEADBOARD POSTS-2 (10) FOOTBOARD POSTS-2							
	SIDE RAILS CARTON (13) SIDE RAILS-2 (14) CENTER CROSS RAIL-1 (15) END CROSS RAILS-2	(8) 	(9) 	(10) 	(11) 			
		(12) 	(13) 	(14) 				
		(15) 	(16) 					

SAVE ALL PACKAGING MATERIALS UNTIL PRODUCT IS FULLY ASSEMBLED. HARDWARE AND SMALL PIECES MAY NOT BE SEEN AND BE ACCIDENTALLY DISCARDED WITH PACKAGING MATERIALS.



HEADBOARD FULLY ASSEMBLED



FOOTBOARD FULLY ASSEMBLED

FOR ASSISTANCE IN ASSEMBLY ONLY OF THIS PRODUCT. CALL OUR HELP DESK AT 1-800-324-3415, BETWEEN 8:30 AM & 4:30 PM CENTRAL TIME MONDAY THRU FRIDAY. PLEASE HAVE THE STYLE NUMBER AVAILABLE BEFORE YOU CALL. (STYLE # OR NAME CAN BE FOUND ON PACKING CARTON OR SALES RECEIPT.) OUR PRODUCT IS INSPECTED TO ENSURE IT IS IN GOOD CONDITION. IF YOUR FURNITURE APPEARS TO HAVE BEEN DAMAGED IN SHIPMENT OR YOU ARE IN NEED OF REPLACEMENT PARTS PLEASE CONTACT THE DEALER FROM WHOM YOU PURCHASED THE PRODUCT.

Instruction Sheet

NOTE : For easy assembly you will need a helper.

STEP 1- Align grill (11) end holes with holes in headboard post (9). See Figure 1 secure post (9) to grill (11) with screws (1) repeat on other side of headboard panel and footboard panel tighten all the screws securely using allen wrench (6). Screw finial (8) on top of headboard post (9) and footboard post (10). See Figure 1

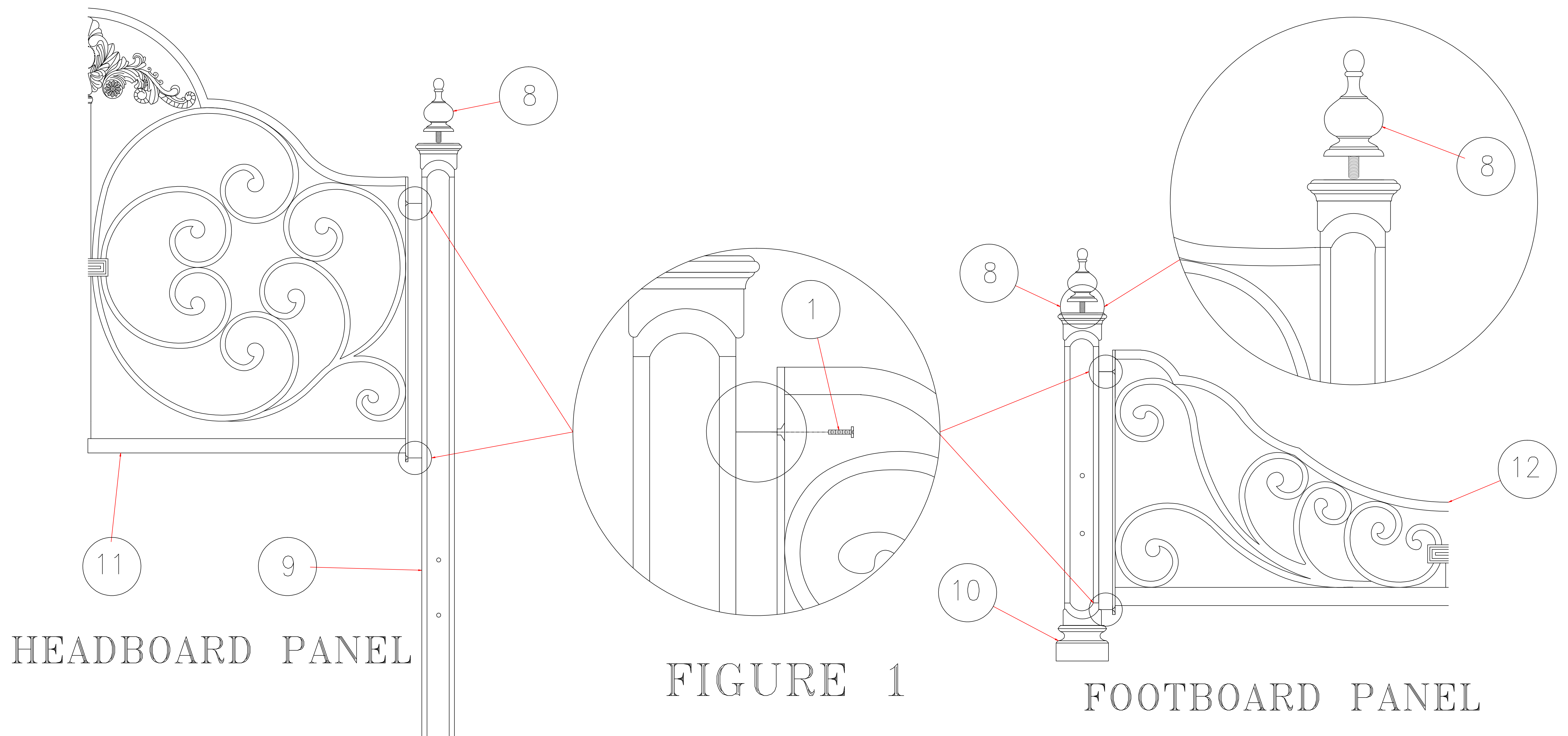
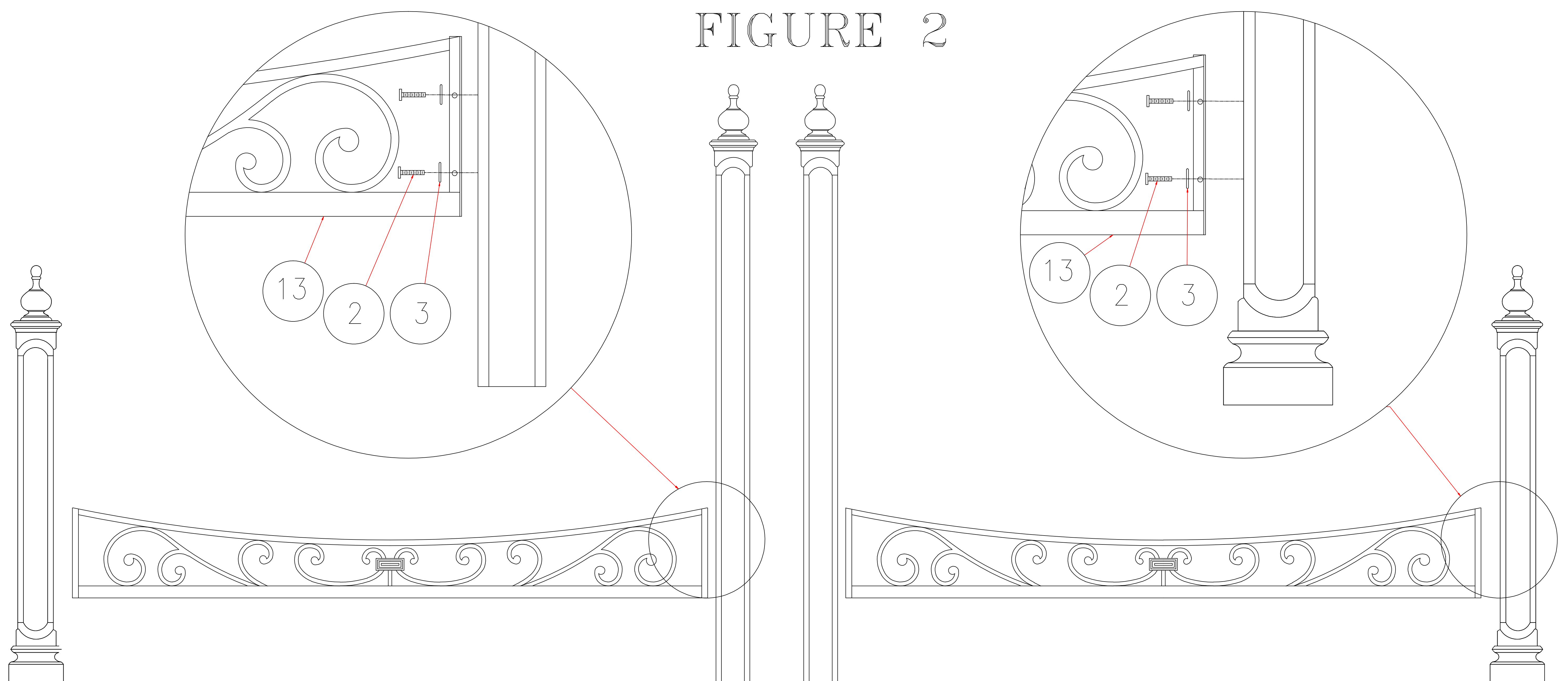


FIGURE 1

FIGURE 2

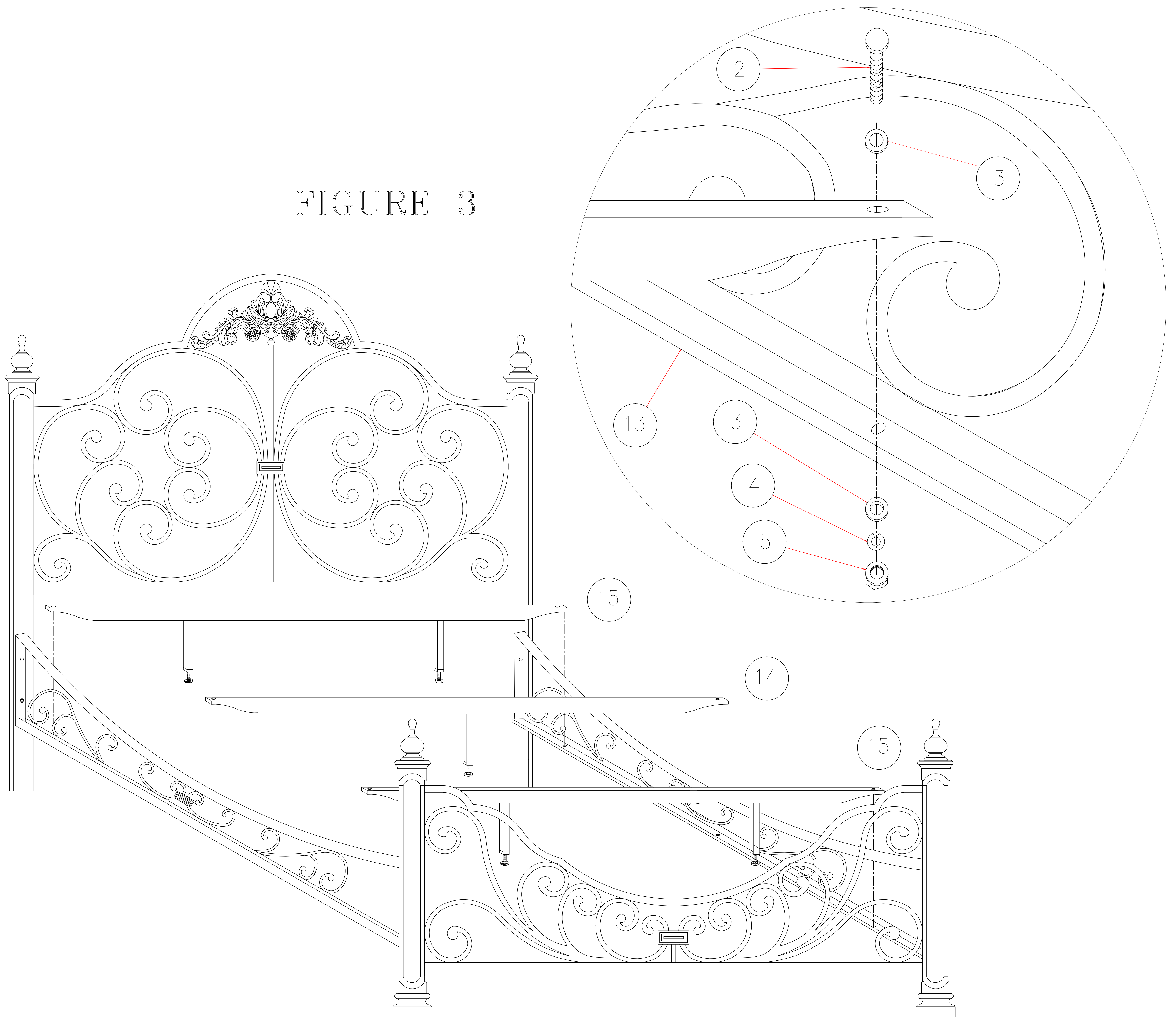


STEP 2- Place headboard panel and side rails (13) in desired location in room. Insert flat metal washers (3) over screws (2) See Figure 2. Now insert screws with washers through holes on side rails (13) into threaded holes on headboard post panel DO NOT TIGHTEN screws all the way. Repeat on the other side of headboard and repeat same steps for footboard panel. Now tighten all screws securely using the allen wrench (6). See Figure 2

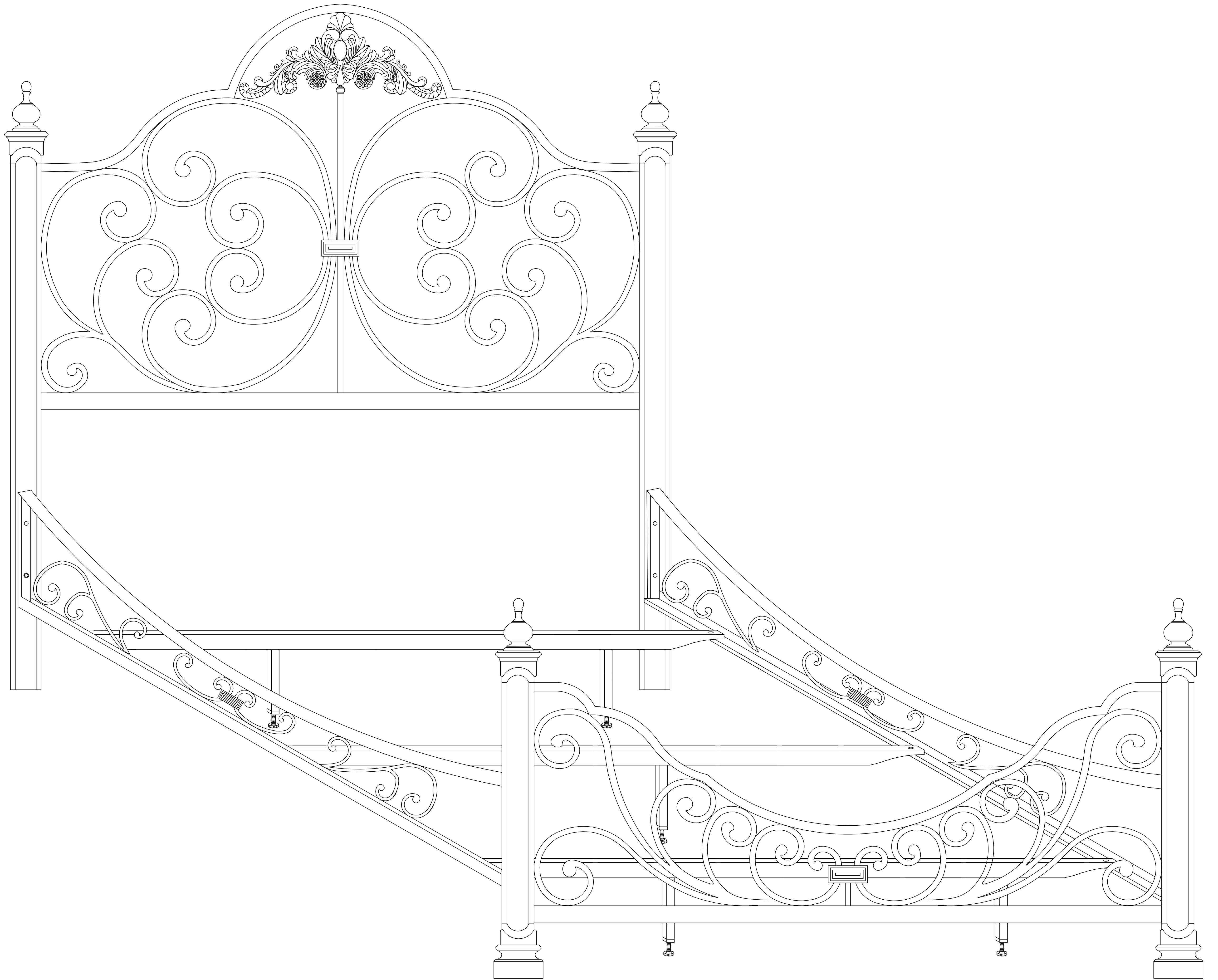
Instruction Sheet

STEP 3- Align holes on center cross rail (14) and end cross rails (15) with holes on cleat of side rails (13) See Figure 3. Insert flat metal washers (3) over screws (2) See Figure 3. Now insert screws with washers through holes on cross rails (14) and (15) into holes on cleat of side rails (13) secure each screws with flat metal washers (3) spring washers (4) and hex nuts (5) and tighten all screws securely using allen wrench (6) and open wrench (7) See Figure 3.

FIGURE 3



Instruction Sheet



BED FULLY ASSEMBLED