

Fashion Bed Group

A Division of Leggett & Platt Incorporated
5950 West 51st Street - Chicago, IL 60638

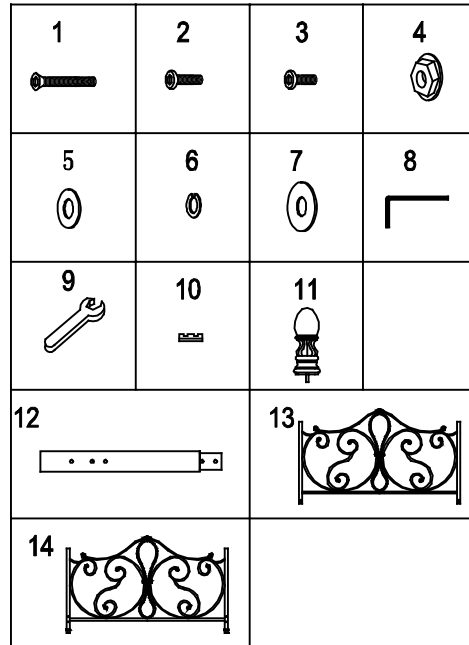
Parts List For Aynsley Bed

BED CARTON

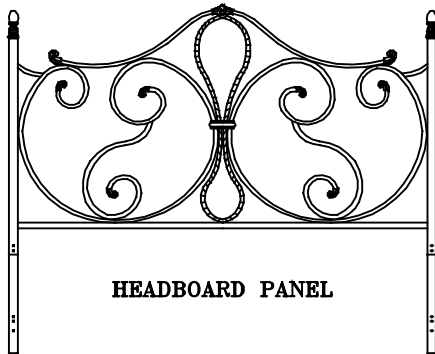
- (13) HEADBOARD PANEL
- (14) FOOTBOARD PANEL

PART #305201 HARDWARE BAG FOR BED ATTACHMENT TO FRAME

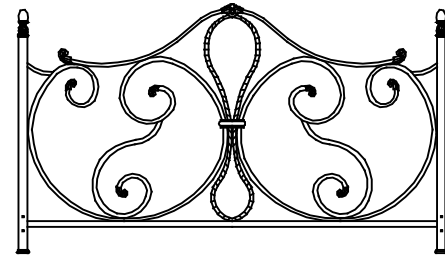
- (1) 1/4-20 2 1/4" COUNTER SUNK ALLEN HEAD SCREW-4
- (2) 1/4-20 1" FLAT ALLEN HEAD SCREW-4
- (3) 1/4-20 1/2" FLAT ALLEN HEAD SCREW-4
- (4) 1/4-20 HEX NUT-4
- (5) 5/8" OD FLAT WASHER-8
- (6) 1/4" ID LOCK WASHER-8
- (7) 7/8" OD RUBBER WASHER-8
- (8) ALLEN WRENCH
- (9) OPEN WRENCH
- (10) PLASTIC GLIDE-4
- (11) FINIAL-4
- (12) LEG EXTENSION-2



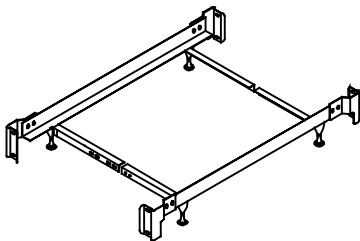
PRODUCT FULLY ASSEMBLED



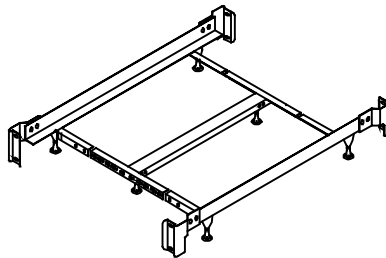
HEADBOARD PANEL



FOOTBOARD PANEL



TWIN - FULL BED FRAME FULLY ASSEMBLED
NOTE: SEE INSTRUCTIONS INCLUDED IN FRAME CARTON FOR FRAME ASSEMBLY



QUEEN - KING BED FRAME FULLY ASSEMBLED
NOTE: SEE INSTRUCTIONS INCLUDED IN FRAME CARTON FOR FRAME ASSEMBLY

FOR ASSISTANCE IN ASSEMBLY ONLY OF THIS PRODUCT. CALL OUR HELP DESK AT 1-800-324-3415, BETWEEN 8:30 AM & 4:30 PM CENTRAL TIME MONDAY THRU FRIDAY. PLEASE HAVE THE STYLE NUMBER AVAILABLE BEFORE YOU CALL. (STYLE # OR NAME CAN BE FOUND ON PACKING CARTON OR SALES RECEIPT.) OUR PRODUCT IS INSPECTED TO ENSURE IT IS IN GOOD CONDITION. IF YOUR FURNITURE APPEARS TO HAVE BEEN DAMAGED IN SHIPMENT OR YOU ARE IN NEED OF REPLACEMENT PARTS PLEASE CONTACT THE DEALER FROM WHOM YOU PURCHASED THE PRODUCT.

Instruction Sheet

SAVE ALL PACKAGING MATERIALS UNTIL PRODUCT IS FULLY ASSEMBLED. HARDWARE AND SMALL PIECES MAY NOT BE SEEN AND BE ACCIDENTALLY DISCARDED WITH PACKAGING MATERIALS.

FIGURE 1

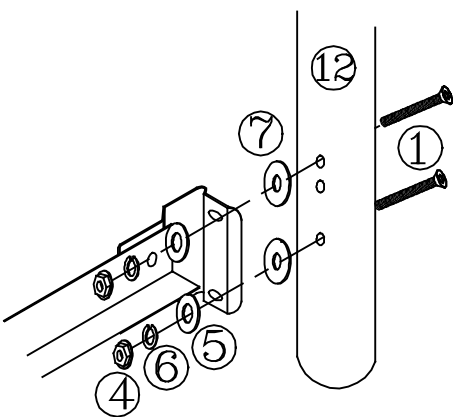
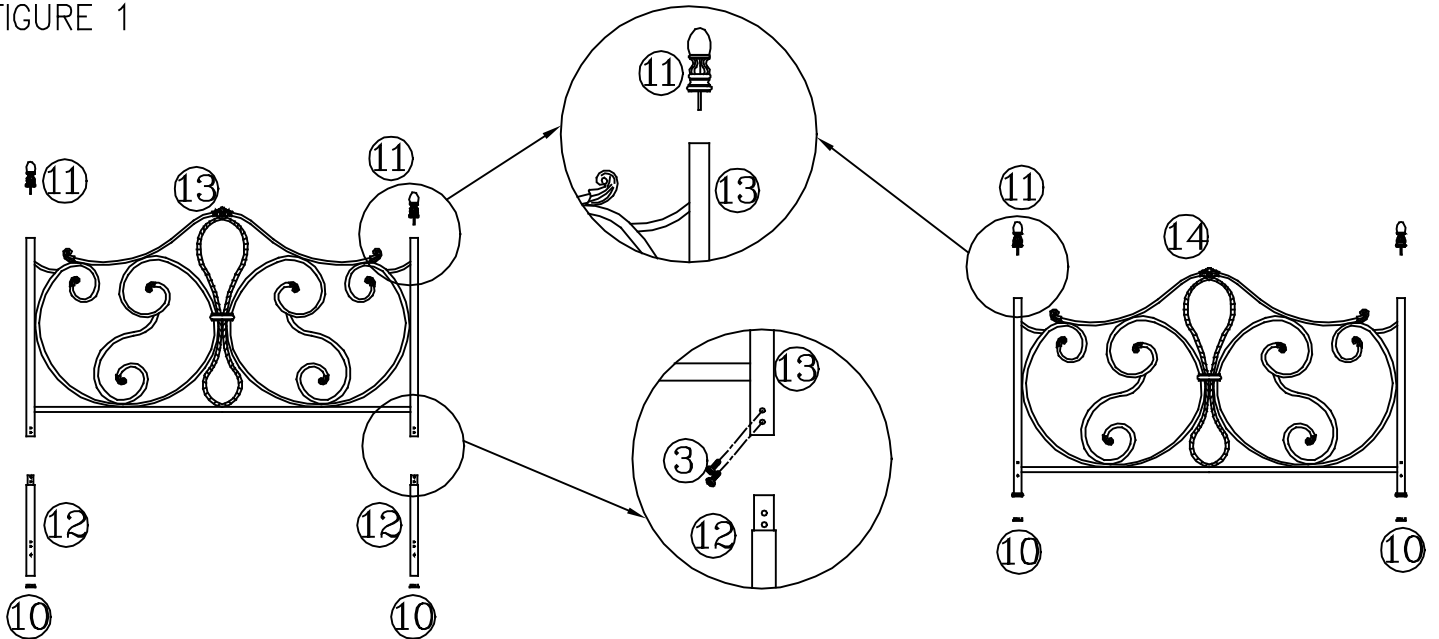


FIGURE 2

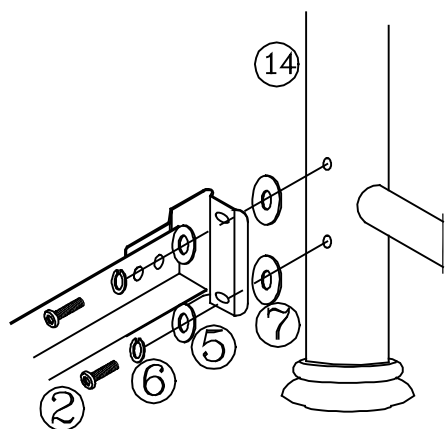


FIGURE 3

Step 1

- Insert plastic glide (10) into bottom of leg extensions (12).
- Align top reduction of extension legs (12) with bottom of headboard posts. (See Figure 1) Make sure the 3 holes on extension legs are perpendicular to headboard panel.
- Now carefully insert extension legs (12) into bottom of headboard (13) posts. Secure legs to headboard posts with screws (3). (See Figure 1)
- Screw in finials (11) into headboard and footboard posts.
- Insert plastic glide (10) into bottom of footboard (14) posts.

Step 2

- Place headboard and frame in desired location in room.
- Place 2 screws (1) through holes located in leg (12). (See Figure 2) Slide rubber washers (7) over screws (1).
- Align bed frame bracket over screws.
- Place a flat washer (5), a lock washer (6) and then a nut (4) on each screw. Hand-tighten, DO NOT TIGHTEN screws all the way.
- Repeat on other side of headboard.
- Tighten all screws securely using the Allen wrench (8) and open wrench (9).

Step 3

- Position footboard panel (14) and align holes in the post with holes in the frame bracket. (See figure 3)
- Place a lock washer (6) and a flat washer (5) on each screw (2). Insert through bracket, rubber washer (7) and into post. Hand-tighten, DO NOT TIGHTEN screws all the way.
- Repeat on other side of footboard panel.
- Tighten all screws securely using the Allen wrench (8).

Fashion Bed Group

A Division of Leggett & Platt Incorporated
5950 West 51st Street - Chicago, IL 60638












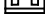

Aynsley Duo Parts List

CARTON

(11) PANEL

PART #305301 HARDWARE BAG FOR DUO ATTACHMENT TO FRAME

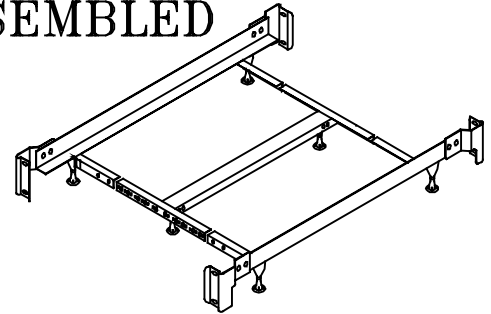
- (1) 1/4-20 2 1/4" COUNTERSUNK ALLEN HEAD SCREW-4
- (2) 1/4-20 1" FLAT ALLEN HEAD SCREW-4
- (3) 1/4-20 1/2" FLAT ALLEN HEAD SCREW-4
- (4) 1/4-20 HEX NUT-4
- (5) 5/8" OD FLAT WASHER-4
- (6) 1/4" ID LOCK WASHER-4
- (7) 7/8" OD RUBBER WASHER-4
- (8) ALLEN WRENCH
- (9) OPEN WRENCH
- (10) LEG EXTENSION-2
- (12) PLASTIC GLIDE-2
- (13) FINIAL-2

1 	2 	3 	4 	5 
6 	7 	8 	9 	10 
11 	12 	13 		

PRODUCT FULLY ASSEMBLED

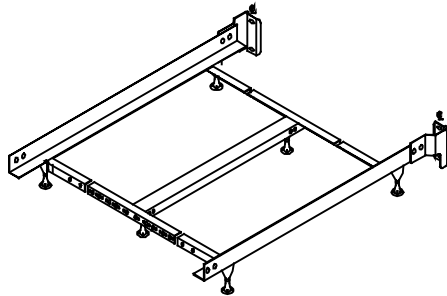


ASSEMBLED AS
HEADBOARD PANEL



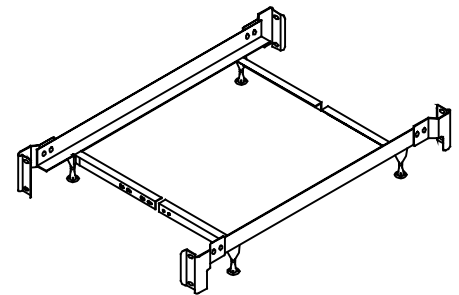
QUEEN - KING BED FRAME FULLY ASSEMBLED

NOTE: SEE INSTRUCTIONS INCLUDED IN FRAME CARTON FOR FRAME ASSEMBLY



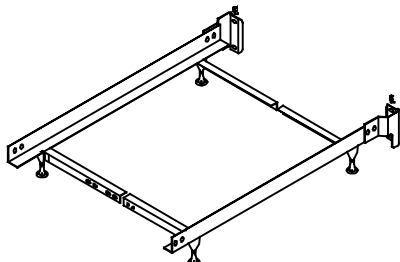
QUEEN - KING HEADBOARD ONLY FRAME FULLY ASSEMBLED FRAMES

NOTE: SEE INSTRUCTIONS INCLUDED IN FRAME CARTON FOR FRAME ASSEMBLY



TWIN - FULL BED FRAME FULLY ASSEMBLED

NOTE: SEE INSTRUCTIONS INCLUDED IN FRAME CARTON FOR FRAME ASSEMBLY



TWIN - FULL HEADBOARD ONLY FRAME FULLY ASSEMBLED

NOTE: SEE INSTRUCTIONS INCLUDED IN FRAME CARTON FOR FRAME ASSEMBLY

FOR ASSISTANCE IN ASSEMBLY ONLY OF THIS PRODUCT, CALL OUR HELP DESK AT 1-800-324-3415, BETWEEN 8:30 AM & 4:30 PM CENTRAL TIME MONDAY THRU FRIDAY. PLEASE HAVE THE STYLE NUMBER AVAILABLE BEFORE YOU CALL. (STYLE # OR NAME CAN BE FOUND ON PACKING CARTON OR SALES RECEIPT.) OUR PRODUCT IS INSPECTED TO ENSURE IT IS IN GOOD CONDITION. IF YOUR FURNITURE APPEARS TO HAVE BEEN DAMAGED IN SHIPMENT OR YOU ARE IN NEED OF REPLACEMENT PARTS PLEASE CONTACT THE DEALER FROM WHOM YOU PURCHASED THE PRODUCT.

Instruction Sheet

SAVE ALL PACKAGING MATERIALS UNTIL PRODUCT IS FULLY ASSEMBLED. HARDWARE AND SMALL PIECES MAY NOT BE SEEN AND BE ACCIDENTALLY DISCARDED WITH PACKAGING MATERIALS.

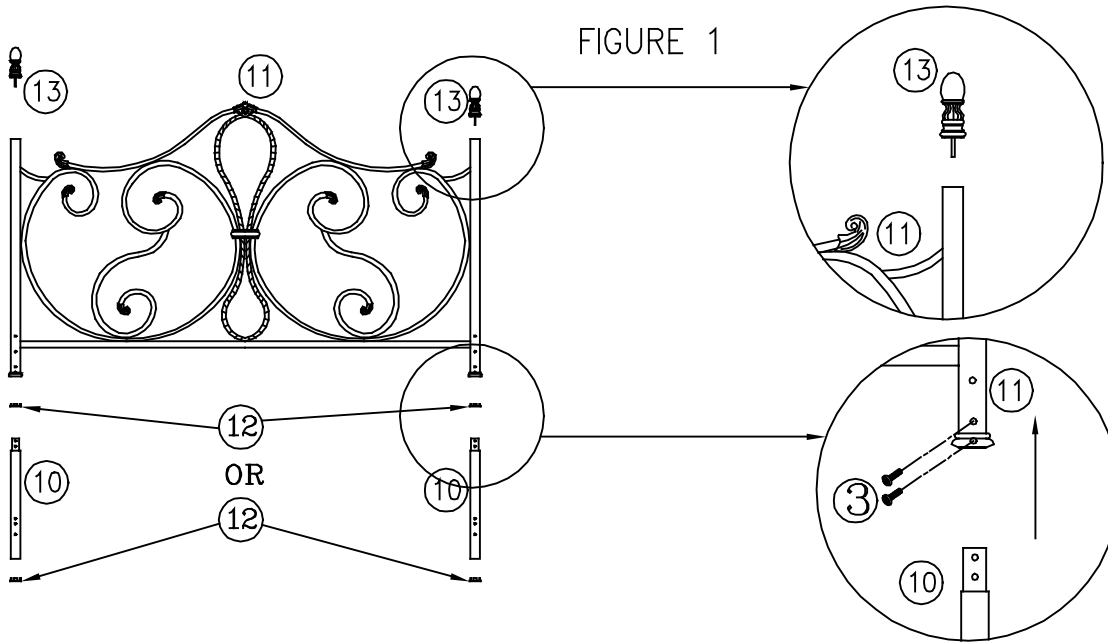


FIGURE 1

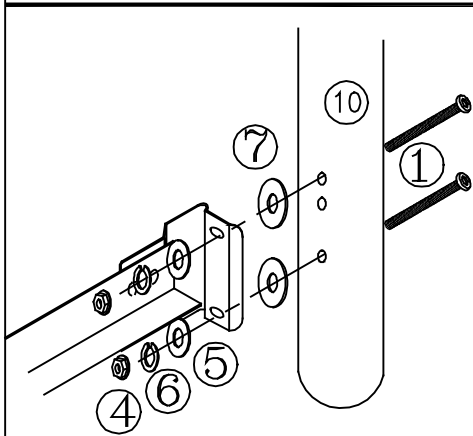


FIGURE 2

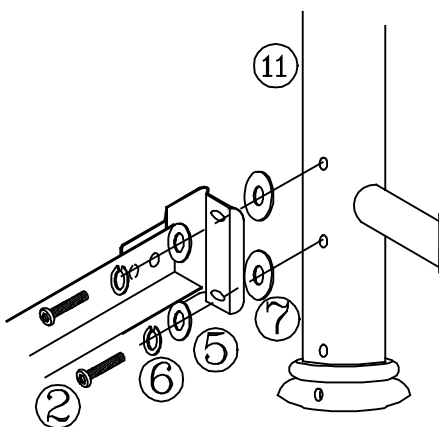


FIGURE 3

NOTE: This product can be used as Headboard only or as Headboard/Footboard bed. Insert plastic glide (12) into leg extension (10) for headboard assembly. For footboard assembly insert plastic glide (12) into bottom of panel (11) posts. See Figure 1

Step 1 Headboard assembly

- Align top reduction of extension leg (10) with bottom of panel post. (See Figure 1) Make sure the 3 holes on extension legs are perpendicular to panel panel.
- Now carefully insert extension leg (10) into bottom of panel (11) posts.
- Secure left extension leg (10) with screws (3) to post.
- Repeat on other side of panel.
- Screw in finials (13) into panel posts.

Step 2

- Place headboard and frame in desired location in room.
- Place 2 screws (1) through holes located in leg (10). (See Figure 2) Slide rubber washers (7) over screws (1).
- Align bed frame bracket over screws.
- Place a flat washer (5) first, washer (6) and then a nut (4) on each screw. Hand-tighten, DO NOT TIGHTEN screws all the way.
- Repeat on other side of headboard.
- Tighten all screws securely using the Allen wrench (8) and open wrench (9).

Step 3 Footboard Assembly

- Discard Leg extension (10) for footboard attachment to frame.
- Position panel (11) and align holes in the post with holes in the frame bracket. (See Figure 3)
- Place washer (6) and flat washer (5) on each screw (2). Insert through bracket, rubber washer (7) and into post. Hand-tighten, DO NOT TIGHTEN screws all the way.
- Repeat on other side of footboard panel.
- Tighten all screws securely using the Allen wrench.

Fashion Bed Group

A Division of Leggett & Platt Incorporated
5950 West 51st Street - Chicago, IL 60638

Parts List For Aynsley Twin bed







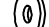







BED CARTON

(12) HEADBOARD PANEL

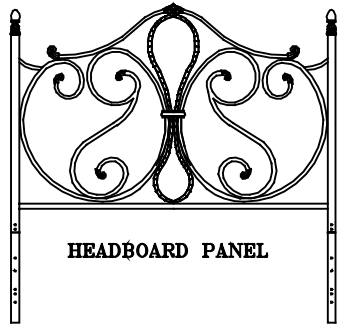
(13) FOOTBOARD PANEL

HARDWARE BAG FOR BED

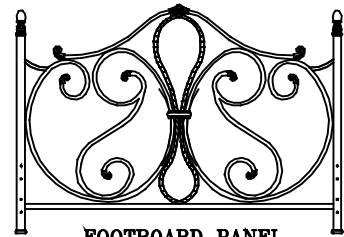
- (1) 1/4-20 2 1/4" COUNTER SUNK ALLEN HEAD SCREW-4
- (2) 1/4-20 1/2" FLAT ALLEN HEAD SCREW-4
- (3) 1/4-20 1" FLAT ALLEN HEAD SCREW-4
- (4) 1/4-20 HEX NUT-4
- (5) 1/4" ID LOCK WASHER-8
- (6) 5/8" OD FLAT STEEL WASHER-8
- (7) 7/8" OD RUBBER WASHER-8
- (8) ALLEN WRENCH
- (9) OPEN WRENCH
- (10) LEG EXTENSION-2
- (11) FINIAL-4
- (14) PLASTIC GLIDE-4

1 	2 	3 	4 	5 	6 	7 	8 
9 	10 	11 	12 	13 		14 	

PRODUCT FULLY ASSEMBLED



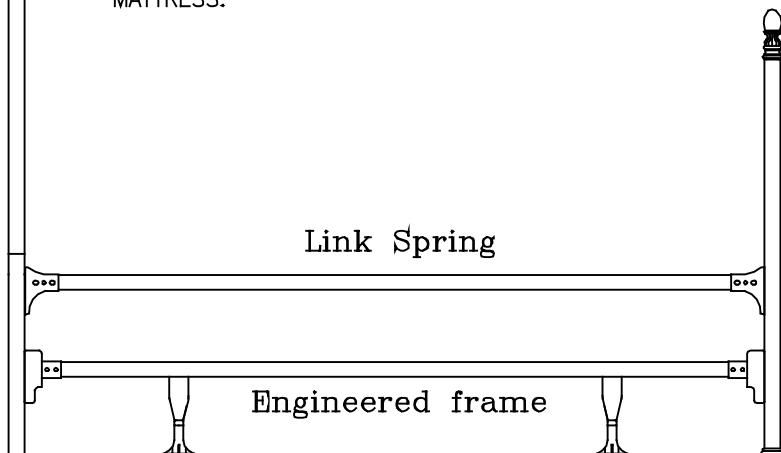
HEADBOARD PANEL



FOOTBOARD PANEL

Twin Size Options

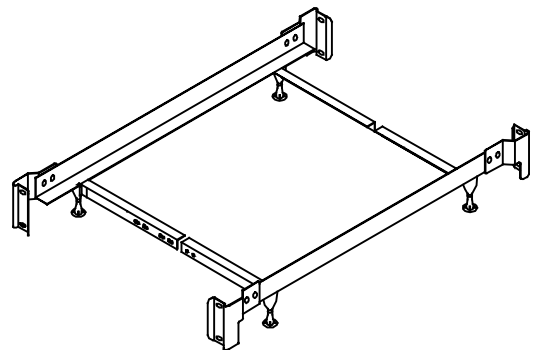
- 1st. USE LINK SPRING (UPPER CONNECTION) FOR TRUNDLE APPLICATION (ONLY A MATTRESS).
- 2nd. USE FRAME (LOWER CONNECTION) W/BOX SPRING AND MATTRESS.



Link Spring

Engineered frame

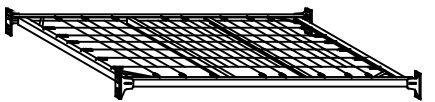
PRODUCT FULLY ASSEMBLED



TWIN - FULL FRAME FULLY ASSEMBLED

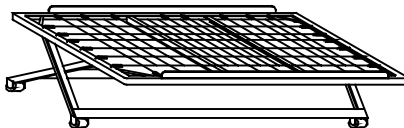
NOTE: SEE INSTRUCTIONS INCLUDED IN FRAME CARTON FOR FRAME ASSEMBLY

OPTIONAL



MATTRESS LINK SPRING FULLY ASSEMBLED

OPTIONAL



POP-UP TRUNDLE

FOR ASSISTANCE IN ASSEMBLY ONLY OF THIS PRODUCT, CALL OUR HELP DESK AT 1-800-324-3415, BETWEEN 8:30 AM & 4:30 PM CENTRAL TIME MONDAY THRU FRIDAY. PLEASE HAVE THE STYLE NUMBER AVAILABLE BEFORE YOU CALL. (STYLE # OR NAME CAN BE FOUND ON PACKING CARTON OR SALES RECEIPT.) OUR PRODUCT IS INSPECTED TO ENSURE IT IS IN GOOD CONDITION. IF YOUR FURNITURE APPEARS TO HAVE BEEN DAMAGED IN SHIPMENT OR YOU ARE IN NEED OF REPLACEMENT PARTS PLEASE CONTACT THE DEALER FROM WHOM YOU PURCHASED THE PRODUCT.

Instruction Sheet

SAVE ALL PACKAGING MATERIALS UNTIL PRODUCT IS FULLY ASSEMBLED. HARDWARE AND SMALL PIECES MAY NOT BE SEEN AND BE ACCIDENTALLY DISCARDED WITH PACKAGING MATERIALS.

FIGURE 1

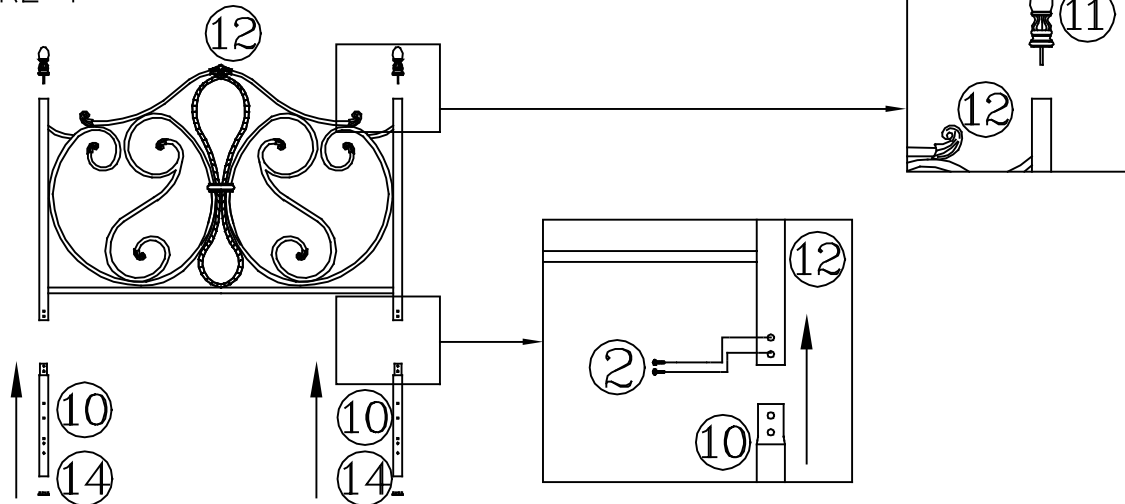
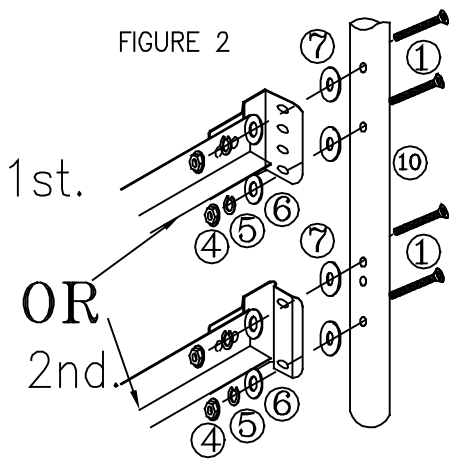


FIGURE 2



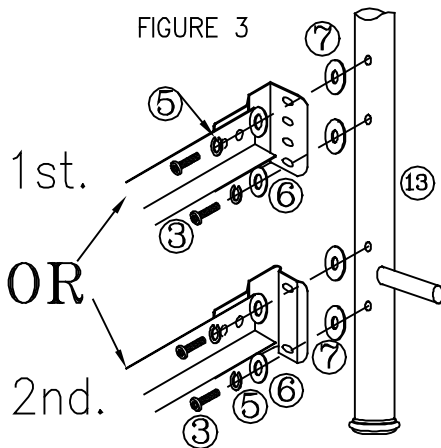
Step 1

- Insert plastic glides (14) under leg extensions (10) and under footboard (13) posts. (See Figure 1)
- Screw in finials (11) onto top of headboard & footboard posts. See Figure 1
- Align top reduction of extension legs (10) with bottom of headboard (11) posts. (See Figure 1) Make sure the 5 holes on extension legs are perpendicular to headboard panel.
- Now carefully insert extension legs (10) into bottom of posts.
- Secure extension legs with screws (2). See Figure 1
- Tighten all screws securely using the Allen wrench (8).

Step 2

- Note: YOU HAVE TWO ASSEMBLY OPTIONS WITH A TWIN SIZE:
 1st. USE UPPER ASSEMBLY IF USING AS A TRUNDLE UNIT WITH MATTRESS ONLY.
 2nd. USE LOWER FRAME ASSEMBLY IF USING BOX SPRING & MATTRESS.
- Place headboard and frame in desired location in room.
 - Place 2 screws (1) through holes located in leg (10). (See Figure 2) Slide rubber washers (7) over screws (1).
 - Align frame bracket over screws.
 - First place a flat washer (6), then a lock washer (5) and a nut (4) on each screw. Hand-tighten, DO NOT TIGHTEN screws all the way.
 - Repeat on other side of headboard.
 - Tighten all screws securely using the Allen wrench and open wrench.

FIGURE 3



Step 3

- Position footboard panel and align holes in the post with holes in the metal bracket. See figure 3
 Note: Use the same hole position that you used for the headboard attachment of to the frame or link spring.
- Place a lock washer (5) and a flat washer (6) on each screw (3). Insert through bracket, rubber washer (7) and into assembly holes in posts. Hand-tighten,
- Repeat on other side of foot board panel.
- Tighten all screws securely using the Allen wrench.