

Fashion Bed Group

A Division of Leggett & Platt Incorporated
5950 West 51st Street - Chicago, IL 60638

Parts List For Astoria Daybed

PART #361701 HARDWARE BAG FOR DAYBED

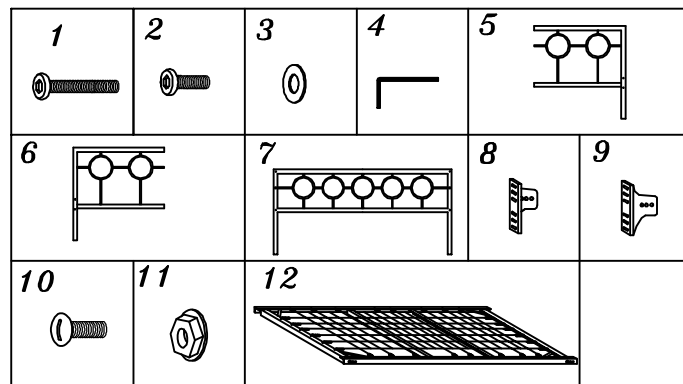
- (1) 1/4-20 2 3/4" ALLEN HEAD SCREW-4
- (2) 1/4-20 3/4" ALLEN HEAD SCREW-8
- (3) 5/8" OD METAL WASHER-12
- (4) ALLEN WRENCH-1

DAYBED PARTS:

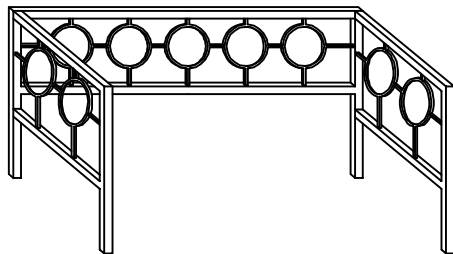
- (5) RIGHT SIDE-1
- (6) LEFT SIDE-1
- (7) BACK PANEL-1

LINK SPRING PARTS:

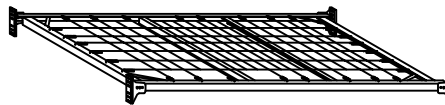
- (8) LEFT BRACKET-2
- (9) RIGHT BRACKET-2
- (10) 5/16-18 SCREW-4
- (11) 5/16-18 HEX NUT-4
- (12) SUPPORT DECK-1



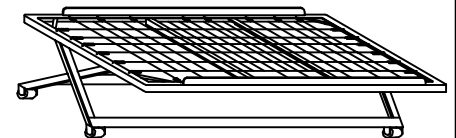
SAVE ALL PACKAGING MATERIALS UNTIL PRODUCT IS FULLY ASSEMBLED. HARDWARE AND SMALL PIECES MAY NOT BE SEEN AND BE ACCIDENTALLY DISCARDED WITH PACKAGING MATERIALS.



MATTRESS LINK SPRING FULLY ASSEMBLED



OPTIONAL



POP-UP TRUNDLE

DAYBED FULLY ASSEMBLED

Instruction Sheet

NOTE: For ease of assembly you will need a helper.
• Periodically retighten all screws.

Step 1- Locate Hardware bags for Daybed & Link Spring Assembly

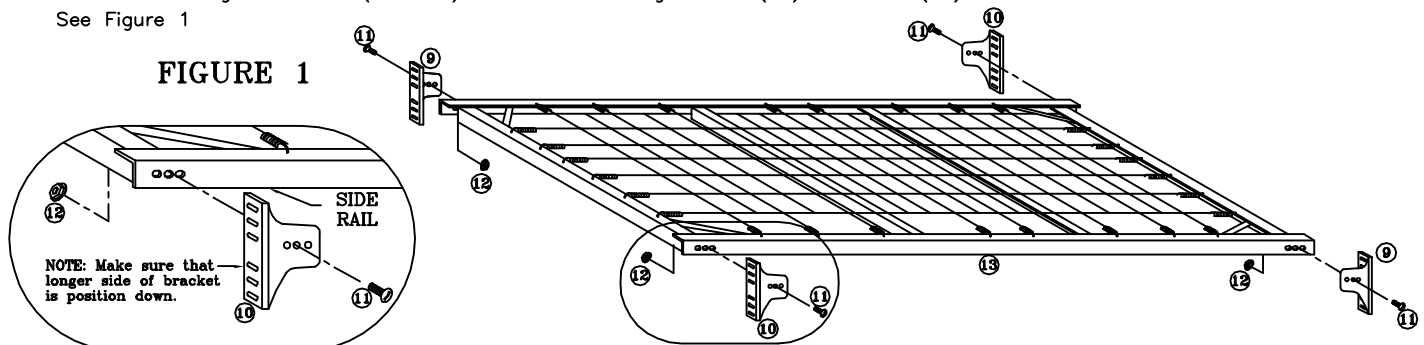
- Hardware bag for assembly Daybed is located inside the daybed carton box.
- Link spring hardware bag is located below the link spring cross bar.

Step 2- Link Spring Assembly

- Attach left & right brackets (9 & 10) to side rails using screws (11) and nuts (12).

See Figure 1

FIGURE 1



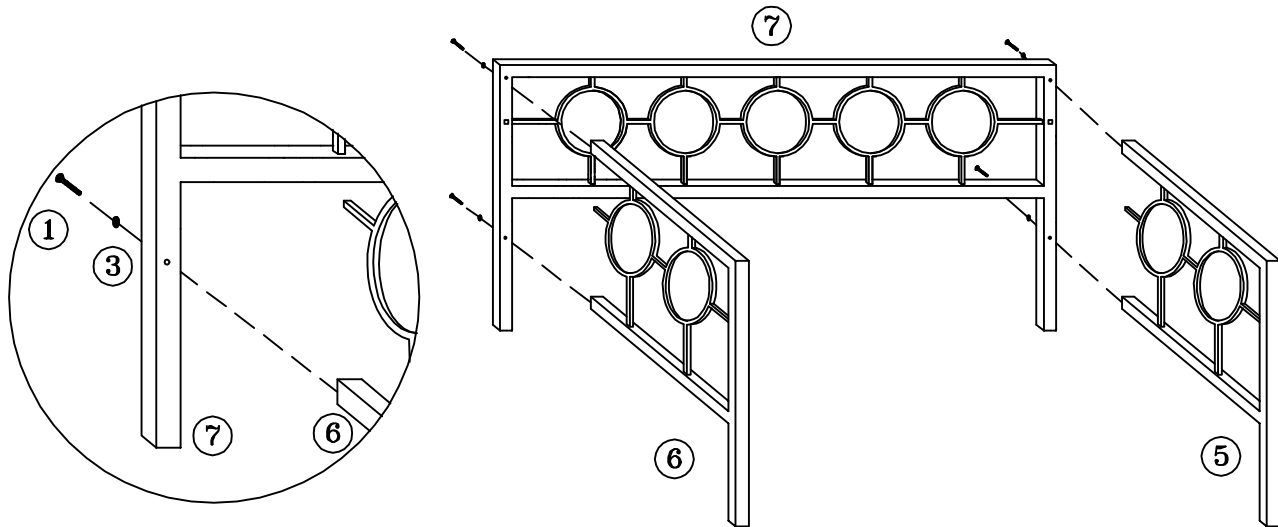
NOTE: Make sure that longer side of bracket is position down.

Instruction Sheet

Step 2- Attachment of Back panel to Daybed sides

- Align holes in back panel (7) with end rails of left side (6). See Figure 2
- Secure back panel and left side with screws (1) and washers (3).
- Tighten screws with Allen wrench (4). See Figure 2
- Repeat on other daybed posts.

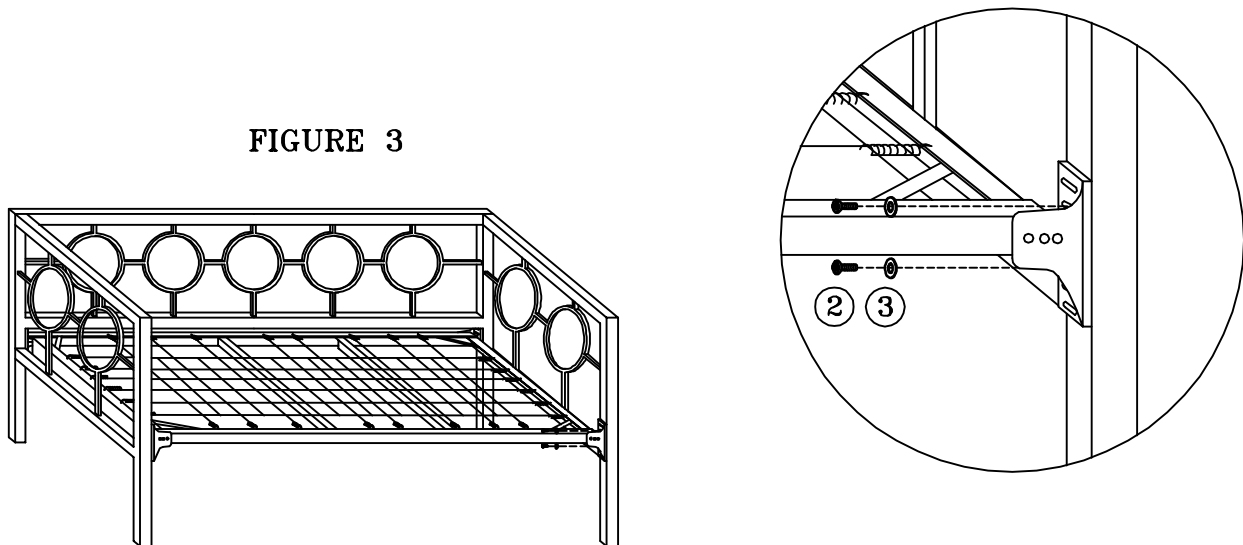
FIGURE 2



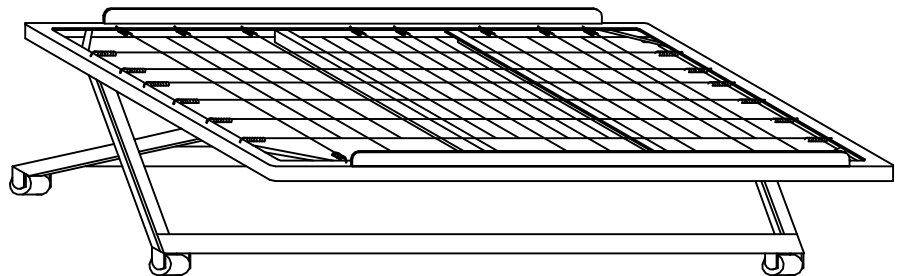
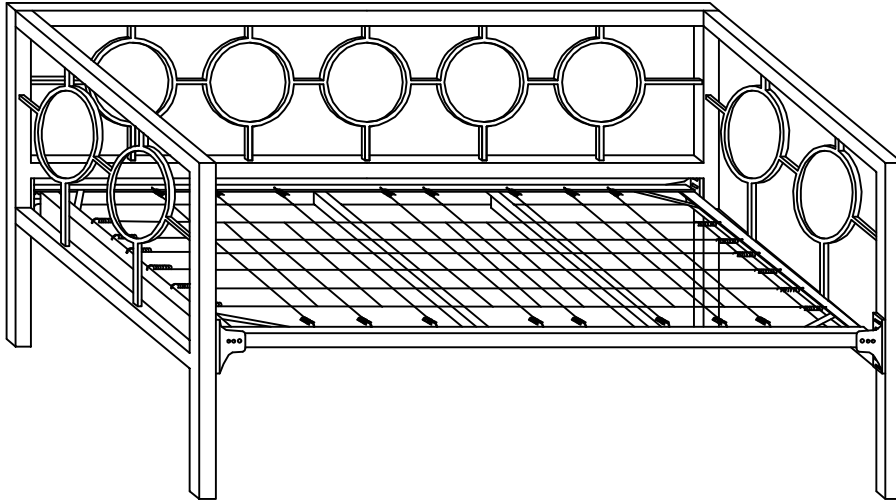
Step 3- Attachment of Link Spring to Daybed sides

- Bolt one metal bracket of the link spring to one daybed side post.
- For each post use 2 screws (2), and 2 metal washers (3).
- Loosely tighten. See Figure 3
- Repeat on other daybed posts.
- Tighten screws with Allen wrench (4). See Figure 2

FIGURE 3



Instruction Sheet



OPTIONAL

FIGURE 4

FOR ASSISTANCE IN ASSEMBLY ONLY OF THIS PRODUCT. CALL OUR HELP DESK AT 1-800-324-3415, BETWEEN 8:30 AM & 4:30 PM CENTRAL TIME MONDAY THRU FRIDAY. PLEASE HAVE THE STYLE NUMBER AVAILABLE BEFORE YOU CALL. (STYLE # OR NAME CAN BE FOUND ON PACKING CARTON OR SALES RECEIPT.) OUR PRODUCT IS INSPECTED TO ENSURE IT IS IN GOOD CONDITION. IF YOUR FURNITURE APPEARS TO HAVE BEEN DAMAGED IN SHIPMENT OR YOU ARE IN NEED OF REPLACEMENT PARTS PLEASE CONTACT THE DEALER FROM WHOM YOU PURCHASED THE PRODUCT.