





**Normal and High**

**Direct Vent Units - Inputs, Orifice Size, and Orifice**

**Manifold Pressure**

**Orifice 0 - 2000ft. Altitude in USA**

**Orifice 0-4500ft Altitude in Canada**

Model	Min. Input BTU/Hr	Max. Input BTU/Hr	@ Max.	
33RDVN	13,000	18,000	3.5" w.c.	#47 DMS
33RDVP	13,000	18,000	10.0" w.c.	#56 DMS
36RDVN	13,000	20,000	3.5" w.c.	#45 DMS
36RDVP	13,000	20,000	10.0" w.c.	#55 DMS
39RDVN	15,000	22,000	3.5" w.c.	#43 DMS
39RDVP	15,000	22,000	10.0" w.c.	#54 DMS

**Conversion Kits**

Model	Change Natural to Propane	Change Propane to Natural
33RDVN	33DVCKP	--
33RDVP	--	
36RDVN	36DVCKP	--
36RDVP	--	
39RDVN	39DVCKP	--
39RDVP	--	

**Air Shutter Settings**

Model	Opening "A"
33RDVN	1/32" (1.0 mm)
33RDVP	3/8" (9.5mm)
36RDVN	1/32" (1.0 mm)
36RDVP	3/8" (9.5mm)
39RDVN	1/32" (1.0 mm)
39RDVP	3/8" (9.5mm)

**IMPORTANT:** Always check for gas leaks with a soap and water solution. Do not use open flame for leak testing.

**NOTE:** These are minimum settings. Air shutter openings may be increased to prevent flame sooting.

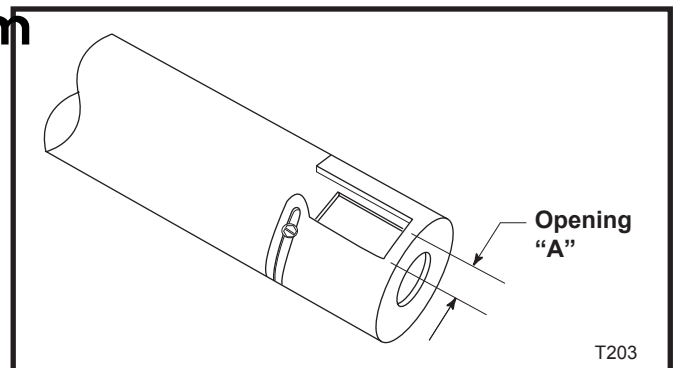


Fig. 57 Air shutter opening.