

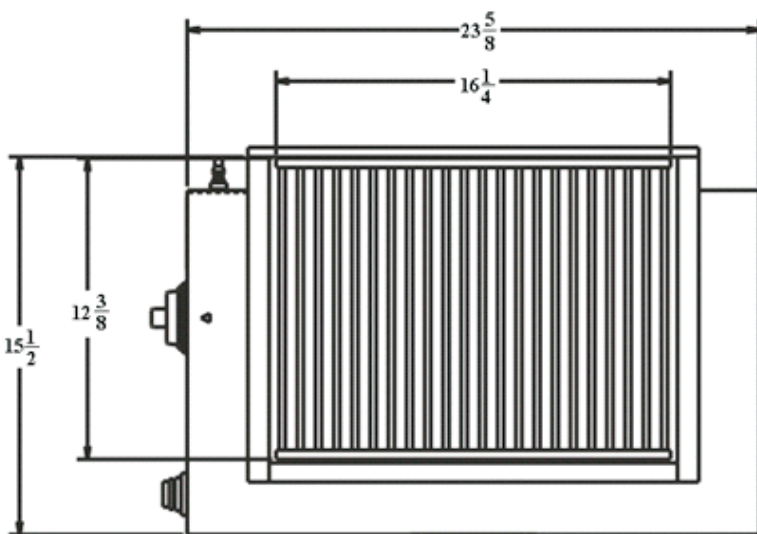
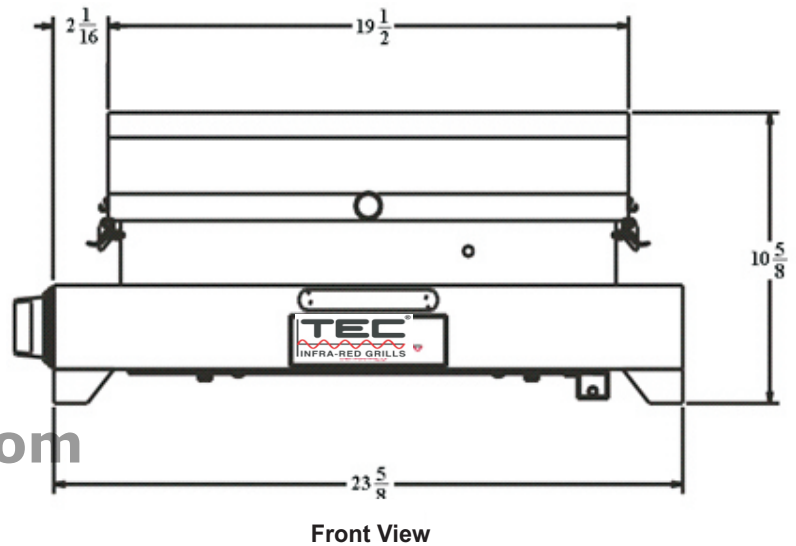
THE NEW CHEROKEE™ FR

CARRY IT WITH YOU OR USE IT ON YOUR PATIO.

The Cherokee™ FR is small and light enough to travel with you anywhere - on your next hunting or fishing trip, picnicking at the beach or tailgating with your family at the game. This beautiful, lightweight grill provides one-half the grilling surface of our two burner full size models in a smaller, less expensive cabinet and uses the same 100% infrared technology. And just like our larger grills, the Cherokee™ FR is proudly made in America.

Cherokee™ FR Specifications:

- 192 Square Inch Cooking Surface
- 13,000 BTU/hr - LP
- Uses 16.4 oz. Disposable LP Cylinder (Regulator included)
Can be used with 20 lb. LP Cylinder (regulator sold separately)
- Body made of Brushed Aluminum, with Stainless Steel Cooking Grid
- Overall size -
23 5/8"W x 10 5/8"H x 15 1/2"D
- Overall weight - 28 pounds
- Radiant glass panel enhances charbroil flavor, prevents flare-ups, and protects burner from food drippings
- Removable ash tray and inner trim panels for easy cleaning
- Pushbutton electronic ignition



TEC's New Patented Grilling System:

- 100% stainless steel burner heads are ultra-tough and built to last.
- Cooks with 100% infrared energy, greatly reducing moisture loss and shrinkage.
- Provides uniform distribution of heat across the grilling surface - no hot or cold spots.
- Is virtually flare proof.
- Has an unprecedented range of cooking intensity - slow cooks as well as sears.
- Employs a radiant glass panel that vaporizes all food drippings and marinades, maximizing the outdoor charbroil flavor.
- Is the most fuel efficient portable on the market, allowing for more grilling time between tank changes.

iBuyGrillParts.com

888-634-4289

