

**REPLACEMENTS****Ordering replacement parts**

Contact your dealer or the factory for questions concerning prices and policies on replacement parts. Normally all parts can be ordered through your Napoleon dealer or distributor. When ordering replacement parts always give the following information:

1. Model & Serial number of fireplace
2. Installation date of fireplace
3. Part code
4. Description of part
5. Finish

**Replacement parts**

For warranty replacement parts, a photocopy of the original invoice will be required to honour the claim. Ordering Replacement Parts

When ordering spare parts, please indicate model number, colour code, parts description, and code number.

N°	Code	Description . . . . .	Type . . . . .	Qty	N°	Code	Description . . . . .	Type . . . . .	Qty
1	100917	Cam pin . . . . .	12x20 M7 . . .	01	34	251204	Glass retainer . . . . .		01
2	104708	Plug . . . . .		01	35	261817	Heat shield . . . . .		01
3	109552	Cap . . . . .		04	36	276230	Reflector . . . . .		01
4	109718	Chain . . . . .		01	37	277902	Trap . . . . .		01
5	110404	Hinge pin . . . . .	6x30 . . . . .	02	38	300489	Base . . . . .		01
6	119217	Descaler . . . . .		01	39	301526	EF Door lock . . . . .		01
7	119801	Bushing . . . . .		02	40	260589	60 Heat shield . . . . .		01
8	134107	Glove . . . . .		01	41	303625	EF Top plate . . . . .		01
9	134258	Bushing . . . . .		01	42	303872	EF Flue collar . . . . .		01
10	134601	Pin . . . . .	2x20 . . . . .	02	43	306283	Back wall . . . . .		01
11	142316	Gasket . . . . .	7x3 . . . . .	1,01 m	44	307438	Fuel retainer . . . . .		01
12	142874	Gasket . . . . .		01	45	310732	EF R. side panel . . . . .		01
13	142875	Gasket . . . . .		01	46	310829	EF L. side panel . . . . .		01
14	146304	Draught regulator . . . . .		01	47	312633	Burner support . . . . .		01
15	149868	Knob . . . . .		01	48	315609	Air duct . . . . .		01
16	164205	Tightness nut . . . . .		02	49	320106	Base . . . . .		01
17	165141	Float regulator . . . . .		01	50	327903	EF Tray . . . . .		01
18	166023	Spring . . . . .		01	51	331111	EF Main door . . . . .		01
19	179622	Regulator shaft . . . . .		01	52	331500	Bracket . . . . .		01
20	259036	Fixing plate . . . . .		01	53	352159	EF Top plate . . . . .		01
21	181617	Ceramic rope . . . . .	Ø 4 . . . . .	0,53 m	54	359800	EF Front plate . . . . .		01
22	105006	Ceramic rope . . . . .	Ø 15 . . . . .	1,60 m	55	300125	EF Leg . . . . .		04
23	188820	Ceramic glass . . . . .		01	56	179623	Regulator shaft . . . . .		01
24	189118	Brass screw . . . . .	d. 10 . . . . .	01	57	622507	Flue baffle . . . . .		01
25	189825	Screw . . . . .	M5x6 . . . . .	01	58	905329	Burner . . . . .		01
26	194401	Catalyser cover . . . . .		01	59	905330	Complete burner . . . . .		01
27	194402	Catalyser body . . . . .		01	60	181630	Gasket . . . . .	Ø 12 . . . . .	4,06 m
28	198205	Catalyser ring . . . . .		01	61	181625	Ceramic rope . . . . .	Ø 7 . . . . .	3,98 m
29	199204	Regulator filter . . . . .		01	62	982645	Feed line regulator-burner . . . . .		01
30	222205	Shaft-guide . . . . .		01	64	445905	Fixing plate . . . . .		01
31	236130	Sealing plate . . . . .		01	65	988867	Complete door . . . . .		01
32	236511	60 Burner support . . . . .		01	80	124412	Strut . . . . .		02
33	239723	60 Regulator support . . . . .		01	81	160706	Leg . . . . .		01

**Optional :**

W175-0198	NAPOLEON ADAPTOR 5" 'L' Vent
SP32	NAPOLEON SUCTION PUMP
72611	IGNITOR
72636	OIL DRIP TRAY
72632	VISIOFLAMME

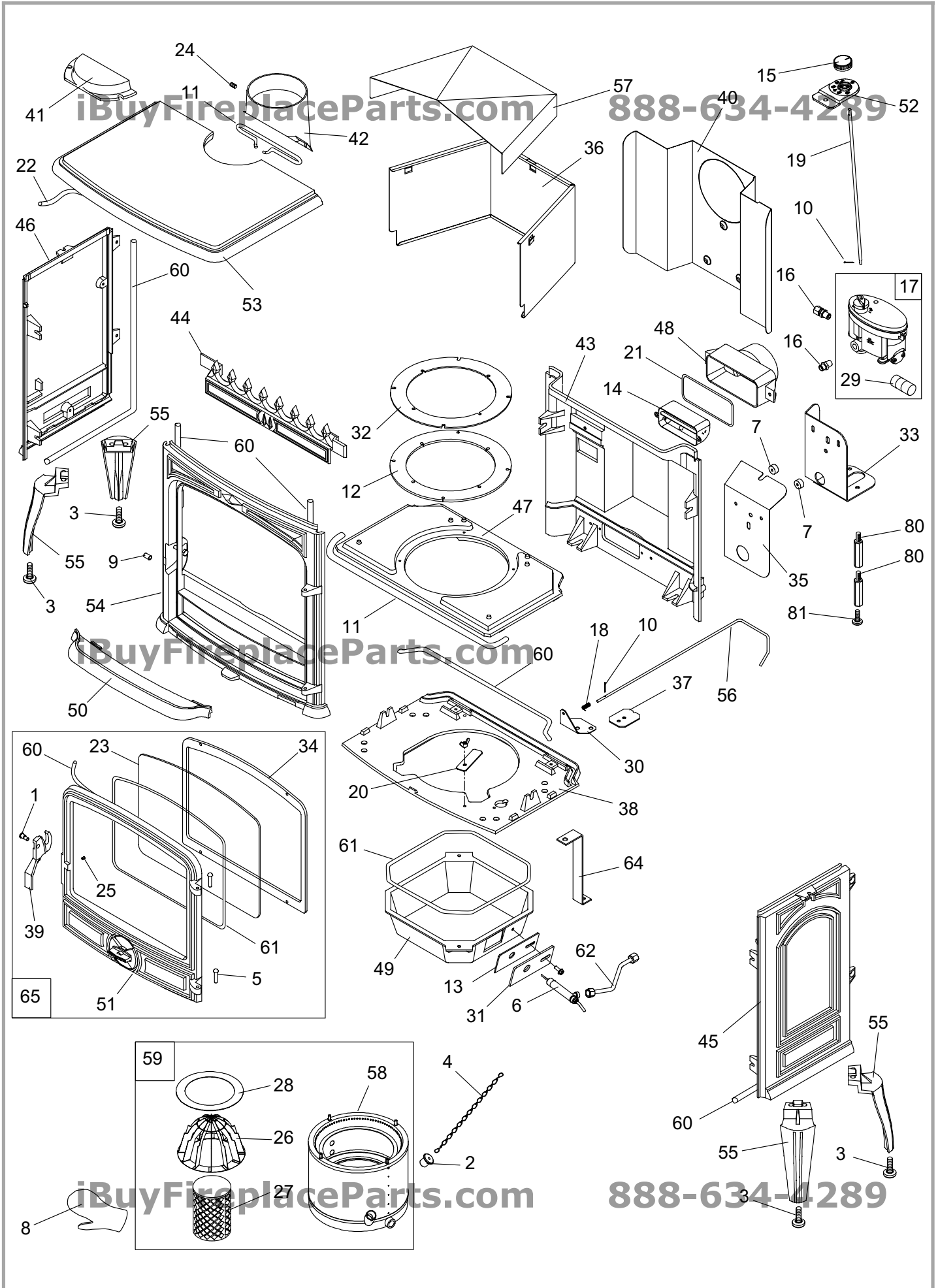


Figure 22