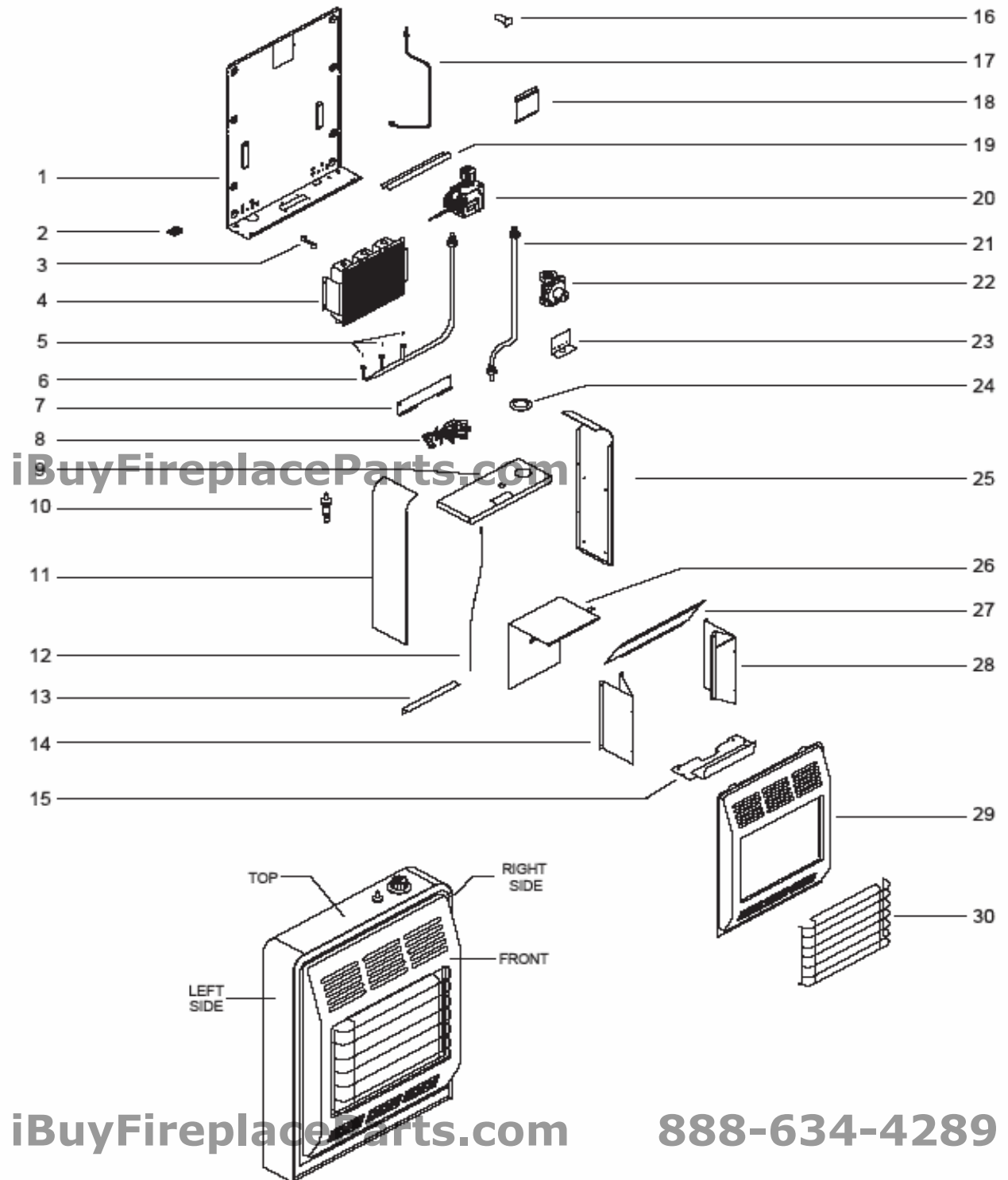


# IRVF 1/2/3/5 T-STAT



## IRVF 1/2/3/5 T-STAT

ITEM#	DESCRIPTION	QTY	IRVFT1	IRVFT3	IRVFT5
1	Cabinet Back Pntd.	1	077519	077520	078040
2	Speed Nut 10-24 U Type	4	050889	050889	050889
--	Front Cover Screw	2	051075	051075	051075
3	Clamp, Thermostat Bulb	2	P549	P549	P549
4	Burner Assembly	1	072285	072286	072287
5	Orifice (LP Gas)	see ( )	072085 (2)	072085 (3)	072085 (5)
--	Orifice (Nat Gas)	see ( )	072084 (2)	072084 (3)	072084 (5)
6	Burner Tube Assembly	1	072420	072422	072424
7	Venturi Shield	1	058711	055872	055874
8	Pilot (LP Gas)	1	14D0476	14D0476	14D0476
--	Pilot (NAT Gas)	1	14D1000	14D1000	14D1000
9	Cabinet Top w/Caution Label	1	074034	074035	074036
10	Piezo Ignitor	1	071040	071040	071040
11	Cabinet Side Left W/Labels	1	078074	078074	078074
12	Piezo Cable	1	017748	017748	017748
13	Brace Reflector	1	049863	--	--
14	Reflector, Left Side Pntd.	1	069104	069104	069104
15	Front Shield & Hearth Plate Assembly	1	074039	074040	074041
16	Wall Anchor	2	052997	052997	052997
--	Wall Anchor Screw	2	033709	033709	033709
17	Pilot Tube Assembly	1	072419	072421	072423
18	Control Bracket Assembly Pntd.	1	054461	054461	054461
19	Burner Shield	1	055878	055873	055875
20	Thermostat Control	1	11V0701	11V0701	11V0701
21	Regulator To Control Tube Assembly	1	072425	072425	072425
22	Regulator (LP Gas)	1	072088	072088	072088
--	Regulator (NAT Gas)	1	072086	072087	072087
--	Pilot Regulator Nat Gas only	1	021828	021828	021828
--	Fitting 3/ 16" Pilot Regulator	2	021863	021863	021863
--	Ferrule 3/16" Pilot Regulator	2	032956	032956	032956
--	Compression Nut 3/16"	2	032956	032956	032955
23	Regulator Bracket	1	071705	071705	071705
24	Control Ring	1	051041	051041	051041
25	Cabinet Side Right W/Markings	1	078073	078073	078073
26	Heat Shield Weld Assembly	1	--	055870	050980
27	Deflector Pntd.	1	075278	075279	075280
28	Reflector, Right Side Pntd.	1	069103	069103	069103
29	Cabinet, Front Pntd.	1	072330	072337	072344
30	Dress Guard	1	072334	072341	072348