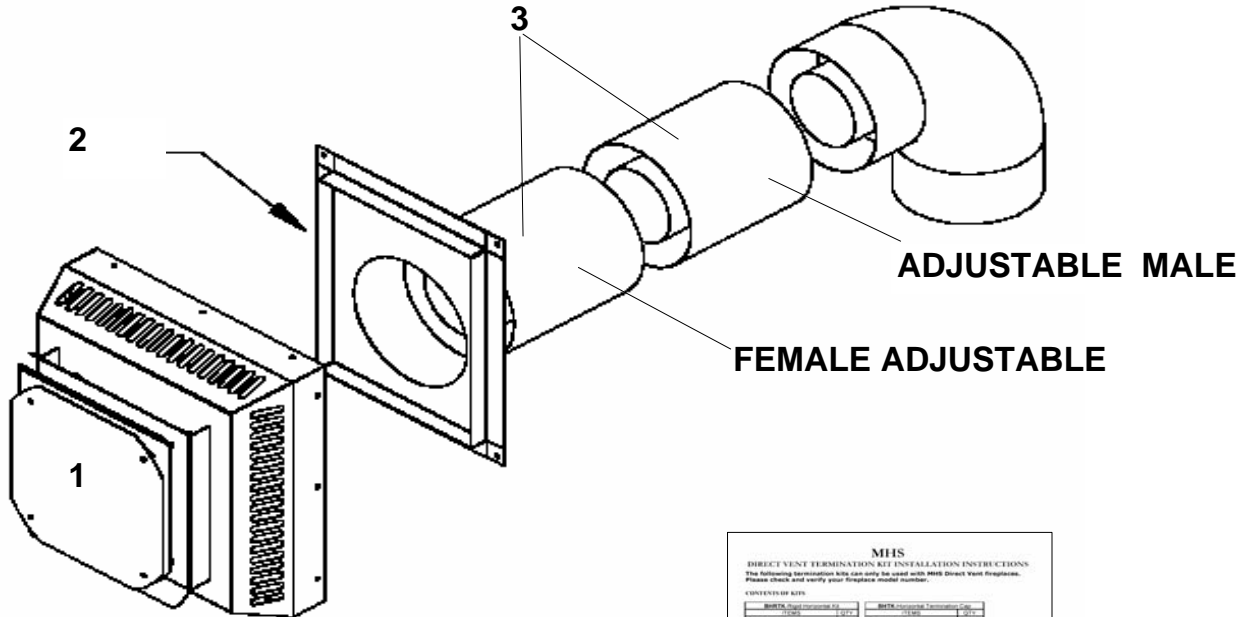


BHSTK			PART NUMBERS
ITEM	DESCRIPTION	QTY	BHSTK
--	ASSY TERM (TERM/FIRESTOP/BOX)	1	55D1001
1	TERMINATION CAP	1	55D0001K
--	FIRESTOP WELDMENT, RECT 7	1	55D0038K
2	FIRESTOP WELDMENT, SQUARE 7	1	55D0039K
3	ADJUSTABLE PIPE	1	911A
--	SCREW-#8X3/4" PPH SMS	4	0052826
--	SCREW-#8X3" PPH ZINC	4	0031330
--	SCREW-#8X1/2" PPH SELF-DRILL	3	0052827
6	INSTRUCTION MANUAL	1	55D0057



MHS
DIRECT VENT TERMINATION KIT INSTALLATION INSTRUCTIONS

The following termination kit can only be used with MHS Direct Vent Fireplaces. Please check and verify your fireplace model number.

CONSISTS OF KIT:

MHS Kit Component #	MHS Component Description	MHS Kit Component #	MHS Component Description
1	Termination Kit	1	Termination Cap
2	Termination Flange	2	Termination Cap
3	Termination Pipe	3	Termination Cap
4	Termination Cap	4	Termination Cap
5	Termination Cap	5	Termination Cap
6	Termination Cap	6	Termination Cap

NOTE: This termination kit is designed for use with MHS Direct Vent Fireplaces. It is not intended for use with other fireplace models. Please refer to the installation instructions for your fireplace model for more information.

6

MHS
P/N 3100071, Rev. 2, April 2004