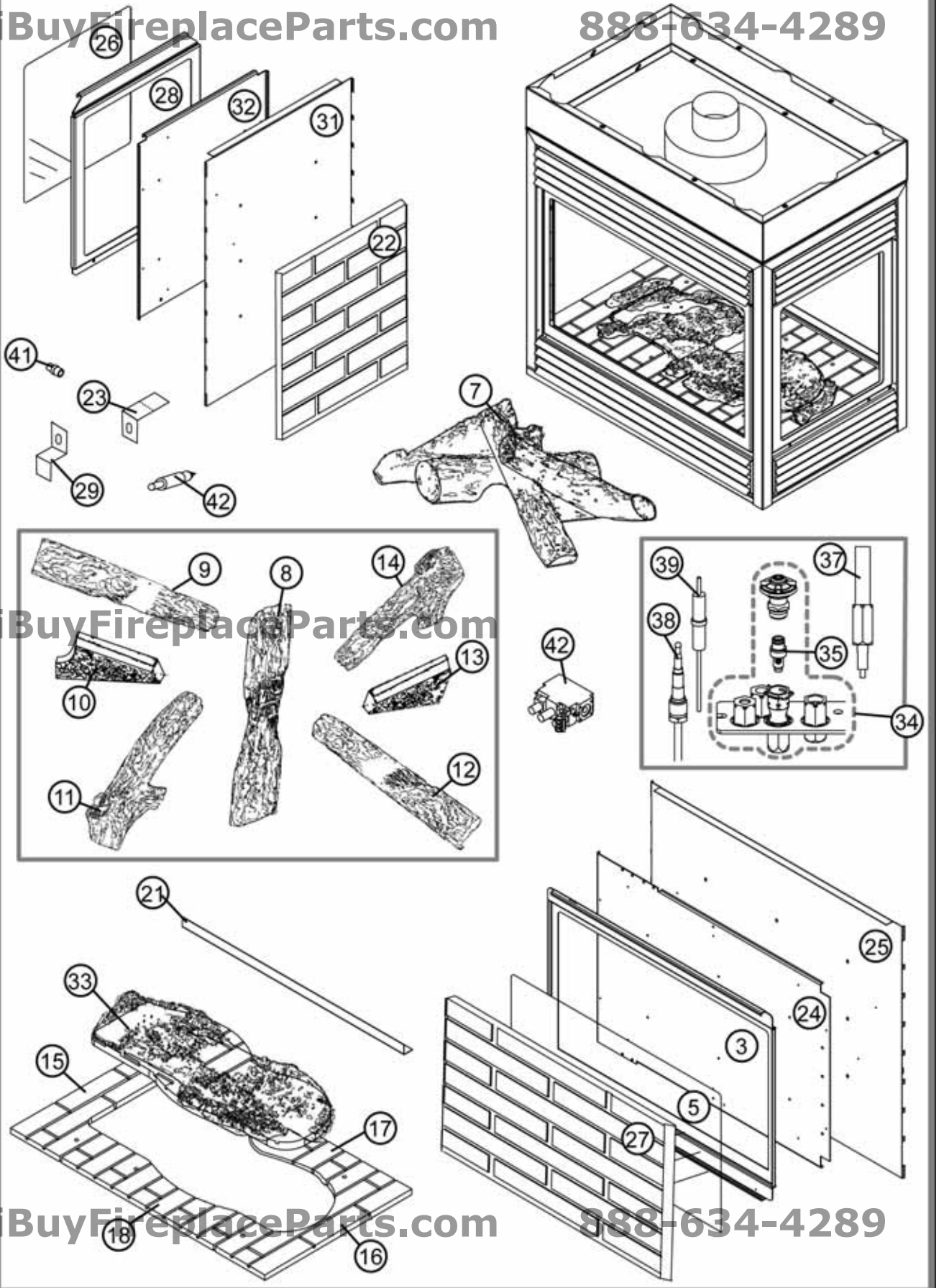


BuyFireplaceParts.com

888-634-4289



BuyFireplaceParts.com

BuyFireplaceParts.com

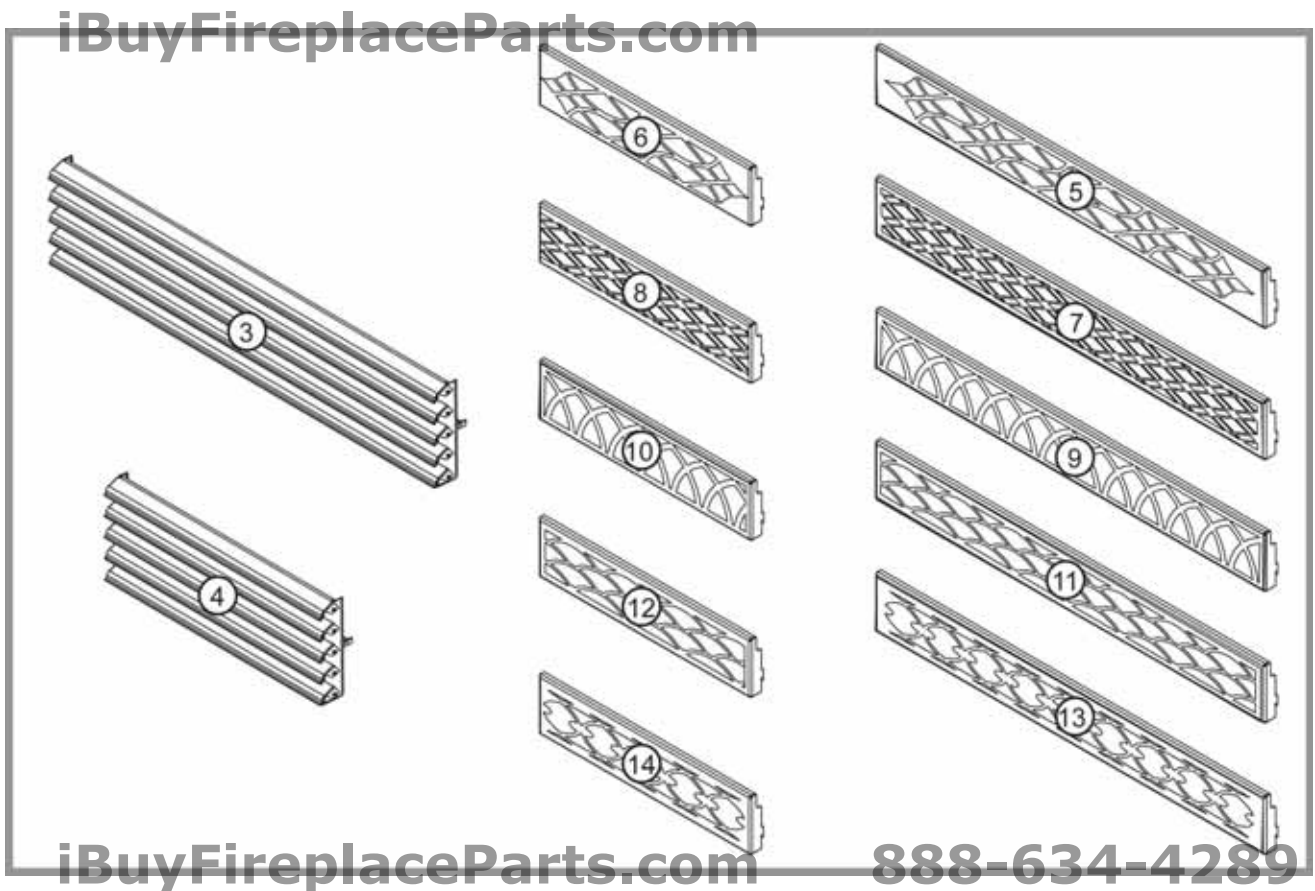
888-634-4289

\* **WARNING:** This is a fast acting thermocouple. It is an integral safety component. Replace only with a fast acting thermocouple supplied by Wolf Steel Ltd.

W415-0320 / E / 06.25.07

# ACCESSORIES

#	PART No.	DESCRIPTION	#	PART No.	DESCRIPTION
1*	W690-0001	MILLIVOLT THERMOSTAT	11	SOIG-1	SEASHELL ORNAMENTAL INSET-GOLD PLATED
2*	GZ-550-1KT	BLOWER KIT	11	SOIKG-1	SEASHELL ORNAMENTAL INSET-BLACK GOLD PLATED
3	L36K	LOUVRE KIT-UPPER & LOWER-BLACK	11	SOIBC-1	SEASHELL ORNAMENTAL INSET-BRUSHED COPPER PLATED
4	ELB40K	END LOUVRE KIT-BLACK	11	SOIBG-1	SEASHELL ORNAMENTAL INSET-BRUSHED GOLD PLATED
5	HOIG-1	HERITAGE ORNAMENTAL INSET-GOLD PLATED	12	ESOIG-1	END SEASHELL ORNAMENTAL INSET-GOLD PLATED
5	HOIKG-1	HERITAGE ORNAMENTAL INSET-BLACK GOLD PLATED	12	ESOIKG-1	END SEASHELL ORNAMENTAL INSET-BLACK GOLD PLATED
5	HOIBC-1	HERITAGE ORNAMENTAL INSET-BRUSHED COPPER PLATED	12	ESOIBC-1	END SEASHELL ORNAMENTAL INSET-BRUSHED COPPER PLATED
5	HOIBG-1	HERITAGE ORNAMENTAL INSET-BRUSHED GOLD PLATED	12	ESOIBG-1	END SEASHELL ORNAMENTAL INSET-BRUSHED GOLD PLATED
6	EHOIG-1	END HERITAGE ORNAMENTAL INSET-GOLD PLATED	13	EOIG-1	ECLIPSE ORNAMENTAL INSET-GOLD PLATED
6	EHOIKG-1	END HERITAGE ORNAMENTAL INSET-BLACK GOLD PLATED	13	EOIKG-1	ECLIPSE ORNAMENTAL INSET-BLACK GOLD PLATED
6	EHOIBC-1	END HERITAGE ORNAMENTAL INSET-BRUSHED COPPER PLATED	13	EOIBC-1	ECLIPSE ORNAMENTAL INSET-BRUSHED COPPER PLATED
6	EHOIBG-1	END HERITAGE ORNAMENTAL INSET-BRUSHED GOLD PLATED	13	EOIBG-1	ECLIPSE ORNAMENTAL INSET-BRUSHED GOLD PLATED
7	DOIG-1	DIAMOND ORNAMENTAL INSET-GOLD PLATED	14	EEOIG-1	END ECLIPSE ORNAMENTAL INSET-GOLD PLATED
7	DOIKG-1	DIAMOND ORNAMENTAL INSET-BLACK GOLD PLATED	14	EEOIKG-1	END ECLIPSE ORNAMENTAL INSET-BLACK GOLD PLATED
7	DOIBC-1	DIAMOND ORNAMENTAL INSET-BRUSHED COPPER PLATED	14	EEOIBC-1	END ECLIPSE ORNAMENTAL INSET-BRUSHED COPPER PLATED
7	DOIBG-1	DIAMOND ORNAMENTAL INSET-BRUSHED GOLD PLATED	14	EEOIBG-1	END ECLIPSE ORNAMENTAL INSET-BRUSHED GOLD PLATED
8	EDOIG-1	END DIAMOND ORNAMENTAL INSET-GOLD PLATED	15*	GD825N	VALVE REGULATOR FOR W660-0013-NATURAL GAS
8	EDOIKG-1	END DIAMOND ORNAMENTAL INSET-BLACK GOLD PLATED	15*	GD825P	VALVE REGULATOR FOR W660-0013-PROPANE
8	EDOIBC-1	END DIAMOND ORNAMENTAL INSET-BRUSHED COPPER PLATED	16*	W175-0205	CONVERSION KIT-NG-LP
8	EDOIBG-1	END DIAMOND ORNAMENTAL INSET-BRUSHED GOLD PLATED	17*	FC-12	GAS FLEX CONNECTOR & SHUT OFF - 12" STAINLESS STEEL
9	GOIG-1	GOTHIC ORNAMENTAL INSET- GOLD PLATED			
9	GOIKG-1	GOTHIC ORNAMENTAL INSET-BLACK GOLD PLATED			
9	GOIBC-1	GOTHIC ORNAMENTAL INSET-BRUSHED COPPER PLATED			
9	GOIBG-1	GOTHIC ORNAMENTAL INSET-BRUSHED GOLD PLATED			
10	EGOIG-1	END GOTHIC ORNAMENTAL INSET-GOLD PLATED			
10	EGOIKG-1	END GOTHIC ORNAMENTAL INSET-BLACK GOLD PLATED			
10	EGOIBC-1	END GOTHIC ORNAMENTAL INSET-BRUSHED COPPER PLATED			
10	EGOIBG-1	END GOTHIC ORNAMENTAL INSET-BRUSHED GOLD PLATED			



# REPLACEMENTS

Contact your dealer for questions concerning prices and availability of replacement parts. Normally all parts can be ordered through your Napoleon® dealer or distributor. When ordering replacement parts always give the following information:

*\* IDENTIFIES ITEMS WHICH ARE NOT ILLUSTRATED. FOR FURTHER INFORMATION, CONTACT YOUR NAPOLEON® DEALER.*

1. MODEL & SERIAL NUMBER OF FIREPLACE
2. INSTALLATION DATE OF FIREPLACE
3. PART NUMBER
4. DESCRIPTION OF PART
5. FINISH
6. TOP OR REAR VENT

## COMPONENTS COMMON TO ALL UNITS

#	PART No.	DESCRIPTION
1*	W361-0016	GLOWING EMBERS
2*	W550-0001	CHARCOAL EMBERS
3	W010-0516	BLACK SIDE DOOR c/w GLASS
4	W562-0009	DOOR GASKET (100 INCHES)
5	W010-0454	GLASS W/ GASKET
6*	W385-0245	NAPOLEON® LOGO
7	GL-634	BGNV40 LOGSET
8	W135-0153	LOG#1
9	W135-0154	LOG#2
10	W135-0155	LOG#3 - PIECE A
11	W135-0156	LOG#3 - PIECE B
12	W135-0157	LOG#4
13	W135-0158	LOG#5 - PIECE A
14	W135-0159	LOG#5 - PIECE B
15	W475-0511	BRICK PANEL #1 - SANDSTONE
16	W475-0512	BRICK PANEL #2- SANDSTONE
17	W475-0515	BRICK PANEL #3 - SANDSTONE
18	W475-0513	BRICK PANEL #4 - SANDSTONE
19	W475-0514	SIDE BRICK PANEL - SANDSTONE
20	W080-0519	BOTTOM LOUVRE BRACKET
21	W565-0041	SIDE HINGE SCREEN

## BURNER COMPONENTS

33	W010-0871	REPLACEMENT BURNER
34	W010-0801	NATURAL GAS PILOT ASSEMBLY
34	W010-0800	PROPANE GAS PILOT ASSEMBLY
35	W455-0069	NATURAL GAS PILOT INJECTOR
35	W455-0067	PROPANE GAS PILOT INJECTOR
36*	W660-0005	BURNER ON/OFF SWITCH
37	W680-0004	THERMOPILE
38	W680-0005	THERMOCOUPLE
39	W240-0006	ELECTRODE w/ WIRE
40	W357-0001	PIEZO IGNITER
41	N455-0003	MAIN BURNER ORIFICE - PROPANE
41	W455-0072	MAIN BURNER ORIFICE - NATURAL GAS
42	W725-0026	PROPANE GAS VALVE
42	W725-0025	NATURAL GAS VALVE

## COMPONENTS UNIQUE TO OPEN END UNIT

22	W475-0516	END FIBRE BRICK PANEL - FOR WALL
23	W500-0193	BRICK PANEL RETAINER
24	W200-0114	SIDE DOOR COVER
25	N010-0327	SIDE DOOR HEAT SHIELD
26	W300-0057	END DOOR TEMPERED GLASS ONLY
27	W475-0517	SIDE BRICK PANEL - FOR WALL
28	W010-0873	BLACK END DOOR c/w GLASS
29	W500-0192	END BRICK PANEL RETAINER
30	W565-0054	END HINGE SCREEN
31	W585-0126	END DOOR HEAT SHIELD
32	N010-0323	END DOOR COVER

## COMPONENTS UNIQUE TO SEE-THRU UNIT

22	W475-0516	END FIBRE BRICK PANEL - FOR WALL
29	W500-0192	END BRICK PANEL RETAINER
31	W585-0126	END DOOR HEAT SHIELD
32	N010-0323	END DOOR COVER

## COMPONENTS UNIQUE TO PENINSULA UNIT

22	W475-0516	END FIBRE BRICK PANEL - FOR WALL
28	W010-0873	BLACK END DOOR c/w GLASS
29	W500-0192	END BRICK PANEL RETAINER
30	W565-0054	END HINGE SCREEN
31	W585-0126	END DOOR HEAT SHIELD
32	N010-0323	END DOOR COVER

## COMPONENTS UNIQUE TO ISLAND UNIT

28	W010-0873	BLACK END DOOR c/w GLASS
30	W565-0054	END HINGE SCREEN