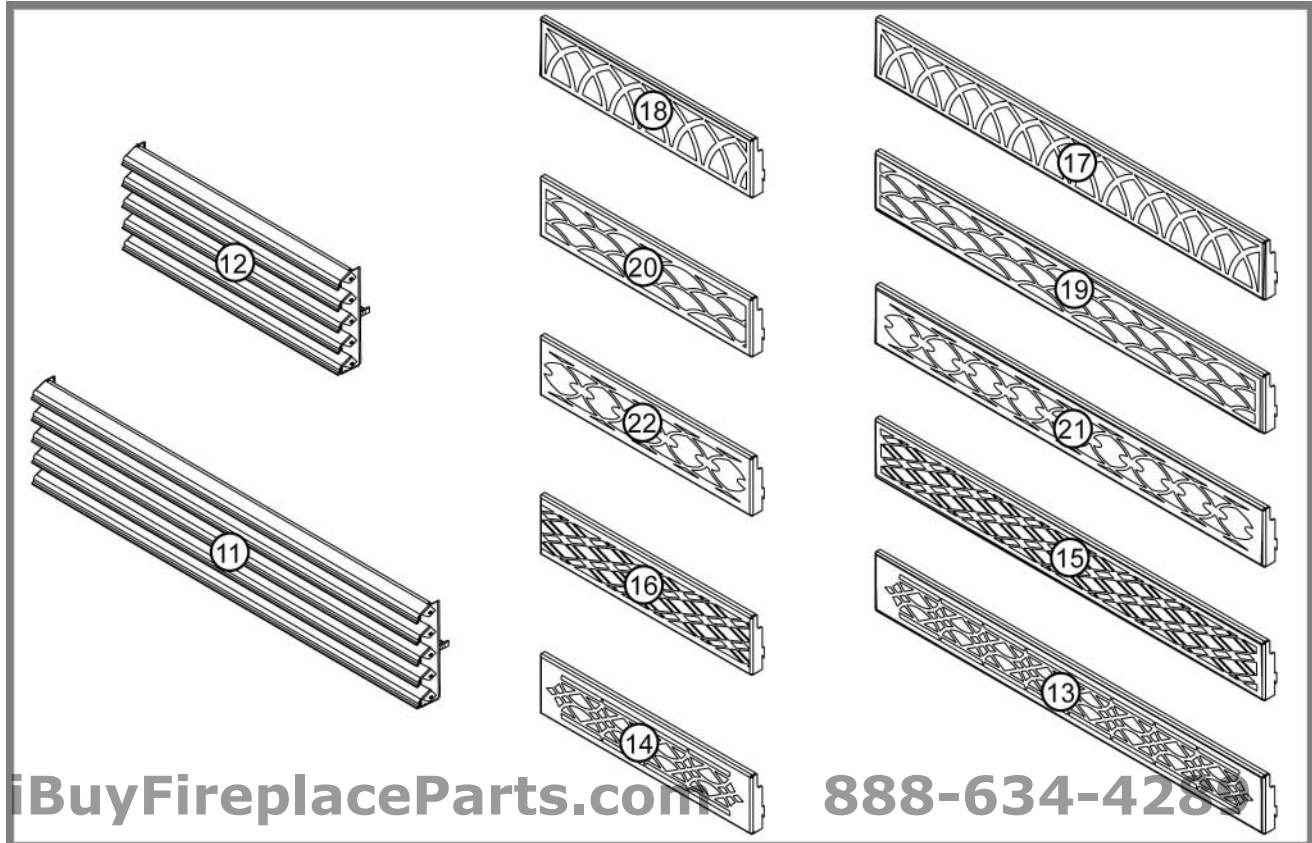


ACCESSORIES

#	PART No.	DESCRIPTION			
1	W690-0001	MILLIVOLT THERMOSTAT	15	DOISS-1	DIAMOND ORNAMENTAL INSET - BRUSHED STAINLESS STEEL
2	GD501	HEAT GUARD	16	EDOIG-1	END DIAMOND ORNAMENTAL INSET - GOLD PLATED
3*	W573-0007	HI-TEMP SEALANT	16	EDOIKG-1	END DIAMOND ORNAMENTAL INSET - BLACK GOLD PLATED
4*	W010-0370	WALL SUPPORT ASSEMBLY	16	EDOIBC-1	END DIAMOND ORNAMENTAL INSET - BRUSHED COPPER PLATED
5	GZ-550-1KT	BLOWER KIT	16	EDOIBG-1	END DIAMOND ORNAMENTAL INSET - BRUSHED GOLD PLATED
6*	W175-0170	DURA-VENT ZERO CLEARANCE ADAPTOR	16	EDOISS-1	END DIAMOND ORNAMENTAL INSET - BRUSHED STAINLESS STEEL
7*	W500-0033	VARIABLE SPEED SWITCH WALL MOUNTING PLATE	17	GOIG-1	GOTHIC ORNAMENTAL INSET - GOLD PLATED
8*	W660-0010	REMOTE CONTROL - ADVANTAGE	17	GOIKG-1	GOTHIC ORNAMENTAL INSET - BLACK GOLD PLATED
8*	W660-0011	REMOTE CONTROL - ADVANTAGE PLUS	17	GOIBC-1	GOTHIC ORNAMENTAL INSET - BRUSHED COPPER PLATED
9*	W660-0013	MODULATING REMOTE - CONTROLS FLAME & BLOWER	17	GOIBG-1	GOTHIC ORNAMENTAL INSET - BRUSHED GOLD PLATED
10*	W175-0166	5" COUPLER	18	EGOIG-1	END GOTHIC ORNAMENTAL INSET - GOLD PLATED
10*	W175-0002	8" COUPLER	18	EGOIKG-1	END GOTHIC ORNAMENTAL INSET - BLACK GOLD PLATED
11	L36K	LOUVRE KIT - UPPER & LOWER - BLACK	18	EGOIBC-1	END GOTHIC ORNAMENTAL INSET - BRUSHED COPPER PLATED
11	L36AB	LOUVRE KIT - UPPER & LOWER - ANTIQUE BRASS	18	EGOIBG-1	END GOTHIC ORNAMENTAL INSET - BRUSHED GOLD PLATED
11	L36PB	LOUVRE KIT - UPPER & LOWER - POLISHED BRASS	19	SOIG-1	SEASHELL ORNAMENTAL INSET - GOLD PLATED
11	L36SS	LOUVRE KIT - UPPER & LOWER - BRUSHED STAINLESS STEEL	19	SOIKG-1	SEASHELL ORNAMENTAL INSET - BLACK GOLD PLATED
12	ELB40K	END LOUVRE KIT - BLACK	19	SOIBC-1	SEASHELL ORNAMENTAL INSET - BRUSHED COPPER PLATED
12	ELB40PB	END LOUVRE KIT - POLISHED BRASS	19	SOIBG-1	SEASHELL ORNAMENTAL INSET - BRUSHED GOLD PLATED
12	ELB40AB	END LOUVRE KIT - ANTIQUE BRASS	20	ESOIG-1	END SEASHELL ORNAMENTAL INSET - GOLD PLATED
12	ELB40SS	END LOUVRE KIT - STAINLESS STEEL	20	ESOIKG-1	END SEASHELL ORNAMENTAL INSET - BLACK GOLD PLATED
13	HOIK-3	HERITAGE ORNAMENTAL INSETS - BLACK	20	ESOIBC-1	END SEASHELL ORNAMENTAL INSET - BRUSHED COPPER PLATED
13	HOIG-3	HERITAGE ORNAMENTAL INSETS - GOLD PLATED	20	ESOIBG-1	END SEASHELL ORNAMENTAL INSET - BRUSHED GOLD PLATED
13	HOIKG-3	HERITAGE ORNAMENTAL INSETS - BLACK GOLD PLATED	21	EOIG-1	ECLIPSE ORNAMENTAL INSET - GOLD PLATED
13	HOIBC-3	HERITAGE ORNAMENTAL INSETS - BRUSHED COPPER PLATED	21	EOIKG-1	ECLIPSE ORNAMENTAL INSET - BLACK GOLD PLATED
13	HOIBG-3	HERITAGE ORNAMENTAL INSETS - BRUSHED GOLD PLATED	21	EOIBC-1	ECLIPSE ORNAMENTAL INSET - BRUSHED COPPER PLATED
13	HOISS-3	HERITAGE ORNAMENTAL INSETS - BRUSHED STAINLESS STEEL	21	EOIBG-1	ECLIPSE ORNAMENTAL INSET - BRUSHED GOLD PLATED
14*	EHOK -2	END HERITAGE ORNAMENTAL INSET - PAINTED BLACK	22	EEOIG-1	END ECLIPSE ORNAMENTAL INSET - GOLD PLATED
14*	EHOIG -2	END HERITAGE ORNAMENTAL INSET - GOLD PLATED	22	EEOIKG-1	END ECLIPSE ORNAMENTAL INSET - BLACK GOLD PLATED
14*	EHOIKG-2	END HERITAGE ORNAMENTAL INSET - BLACK GOLD PLATED	22	EEOIBC-1	END ECLIPSE ORNAMENTAL INSET - BRUSHED COPPER PLATED
14*	EHOIBC-2	END HERITAGE ORNAMENTAL INSET - BRUSHED COPPER PLATED	22	EEOIBG-1	END ECLIPSE ORNAMENTAL INSET - BRUSHED GOLD PLATED
14*	EHOIBG-2	END HERITAGE ORNAMENTAL INSET - BRUSHED GOLD PLATED	32*	GD825N	VALVE REGULATOR FOR W660-0013 - NATURAL GAS
14	EHOISS-2	END HERITAGE ORNAMENTAL INSETS - BRUSHED STAINLESS STEEL	33*	GD825P	VALVE REGULATOR FOR W660-0013 - PROPANE
15	DOIG-1	DIAMOND ORNAMENTAL INSET - GOLD PLATED	41*	RP40-KT	RESTRICTOR VENT KIT
15	DOIKG-1	DIAMOND ORNAMENTAL INSET - BLACK GOLD PLATED	42*	W175-0205	CONVERSION KIT - NG - LP
15	DOIBC-1	DIAMOND ORNAMENTAL INSET - BRUSHED COPPER PLATED	42*	W175-0206	CONVERSION KIT - LP - NG
15	DOIBG-1	DIAMOND ORNAMENTAL INSET - BRUSHED GOLD PLATED	43*	W573-0007	10.30Z TUBE HIGH TEMP SEALANT

iBuyFireplaceParts.com



iBuyFireplaceParts.com

888-634-4288

REPLACEMENTS

Contact your dealer for questions concerning prices and availability of replacement parts. Normally all parts can be ordered through your Authorized dealer or distributor.

When ordering replacement parts always give the following information:

1. MODEL & SERIAL NUMBER OF FIREPLACE
2. INSTALLATION DATE OF FIREPLACE
3. PART NUMBER
4. DESCRIPTION OF PART
5. FINISH

FOR WARRANTY REPLACEMENT PARTS, A PHOTOCOPY OF THE ORIGINAL INVOICE WILL BE REQUIRED TO HONOUR THE CLAIM.

* IDENTIFIES ITEMS WHICH ARE NOT ILLUSTRATED. FOR FURTHER INFORMATION, CONTACT YOUR AUTHORIZED DEALER.

COMPONENTS COMMON TO ALL UNITS

#	PART No.	DESCRIPTION
1*	W361-0016	GLOWING EMBERS
2*	W550-0001	CHARCOAL EMBERS
3*	W562-0009	DOOR GASKET (100")
4	W010-0454	GLASS W/ GASKET
5	W010-1778	FIRESTOP
6*	W385-0245	NAPOLEON® LOGO
8	GL-657	BGD40 LOGSET
9	W135-0284	LOG#1
10	W135-0285	LOG#2
11	W135-0286	LOG#3 - PIECE A
12	W135-0287	LOG#3 - PIECE B
13	W135-0288	LOG#4
14	W135-0289	LOG#5 - PIECE A
15	W135-0290	LOG#5 - PIECE B
16	W475-0516	END FIBRE BRICK PANEL - FOR WALL
17	W475-0511	BRICK PANEL #1 - SANDSTONE
18	W475-0512	BRICK PANEL #2 - SANDSTONE
19	W475-0515	BRICK PANEL #3 - SANDSTONE
20	W475-0513	BRICK PANEL #4 - SANDSTONE
21	W475-0514	SIDE BRICK PANEL - SANDSTONE
22	W500-0193	BRICK PANEL RETAINER
23*	W500-0195	RESTRICTOR PLATE

COMPONENTS UNIQUE TO OPEN END UNIT

24	W200-0114	SIDE DOOR COVER
25	N010-0327	SIDE DOOR HEAT SHIELD
26	W300-0057	END DOOR TEMPERED GLASS ONLY
27	W010-0873	END DOOR TEMPERED GLASS c/w GASKET
28	W475-0517	SIDE BRICK PANEL - FOR WALL
29	W500-0192	END BRICK PANEL RETAINER

COMPONENTS UNIQUE TO SEE-THRU UNIT

3*	W562-0009	DOOR GASKET (100")
16*	W475-0516	END FIBRE BRICK PANEL - FOR WALL
30	N010-0323	END DOOR HEAT SHIELD
31	W200-0117	END DOOR COVER

COMPONENTS UNIQUE TO PENINSULA UNIT

29	W500-0192	END BRICK PANEL RETAINER
32	W010-0516	BLACK SIDE DOOR c/w GLASS
27	W010-0873	END DOOR TEMPERED GLASS c/w GASKET
31	W010-0516	BLACK SIDE DOOR c/w GLASS

! WARNING

FAILURE TO POSITION THE PARTS IN ACCORDANCE WITH THESE DIAGRAMS OR FAILURE TO USE ONLY PARTS SPECIFIED APPROVED WITH THIS APPLIANCE MAY RESULT IN PROPERTY DAMAGE OR PERSONAL INJURY.

BURNER COMPONENTS

33	W010-0871	REPLACEMENT BURNER
34	W010-0801	NATURAL GAS PILOT ASSEMBLY
34	W010-0800	PROPANE GAS PILOT ASSEMBLY
35	W455-0069	NATURAL GAS PILOT INJECTOR
35	W455-0067	PROPANE GAS PILOT INJECTOR
36*	W660-0005	BURNER ON/OFF SWITCH
37	W680-0004	THERMOPILE
38	W680-0005	THERMOCOUPLE**
39	W240-0006	ELECTRODE w/ WIRE
40	W357-0001	PIEZO IGNITER
41	N455-0003	#52 MAIN BURNER ORIFICE - PROPANE
41	W455-0072	#39 MAIN BURNER ORIFICE - NATURAL GAS
42	W725-0026	PROPANE GAS VALVE
42	W725-0025	NATURAL GAS VALVE

! WARNING

** THIS IS A FAST ACTING THERMOCOUPLE. IT IS AN INTEGRAL SAFETY COMPONENT. REPLACE ONLY WITH A FAST ACTING THERMOCOUPLE SUPPLIED BY WOLF STEEL LTD.

VENT KITS

GD420 (5 FOOT)

43*	W010-0772	5" FLEXIBLE ALUMINIUM LINER - (5 FT.) c/w SPACERS
44*	W730-0012	8" FLEXIBLE ALUMINIUM LINER - (5FT.)

GD430 (10 FOOT)

45*	W730-0013	8" FLEXIBLE ALUMINIUM LINER -(10FT.)
46*	W010-0773	5" FLEXIBLE ALUMINIUM LINER -(10 FT.) c/w SPACERS
47*	W010-0810	WALL SUPPORT ASSEMBLY

ROOF TERMINAL KITS

48*	GD410	1/12 TO 7/12 PITCH
49*	GD411	8/12 TO 12/12 PITCH
48*	GD412	FLAT ROOF
51*	W120-0036	VERTICAL CAP
52*	W170-0063	STORM COLLAR
53*	W010-0453	ROOF SUPPORT
54*	W263-0054 / W263-0055 / W263-0056	ROOF FLASHING

TERMINAL KITS

55*	GD401	PERISCOPE
56*	GD422	WALL TERMINAL KIT