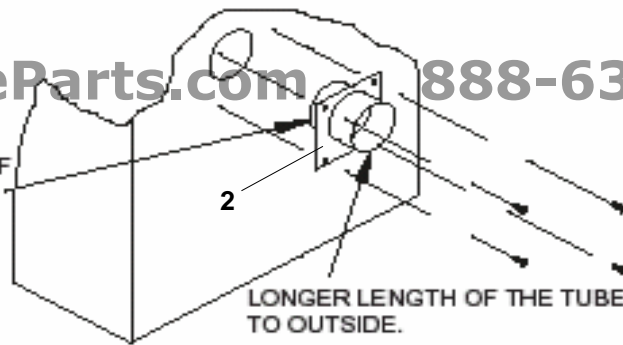
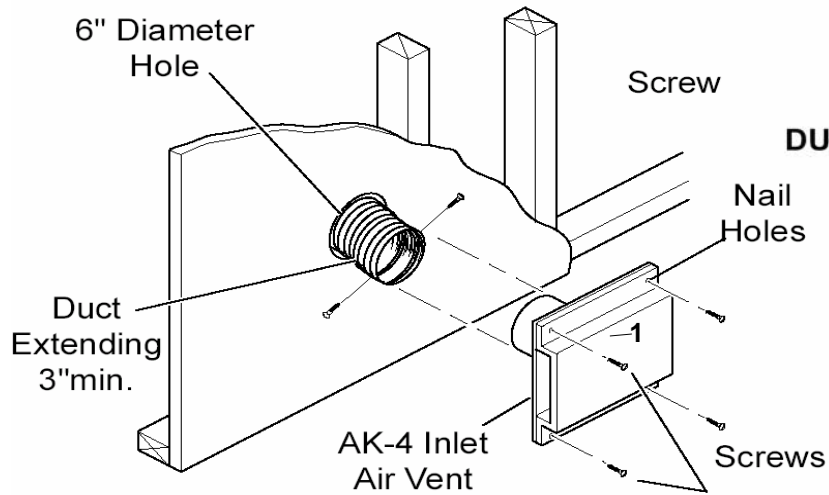
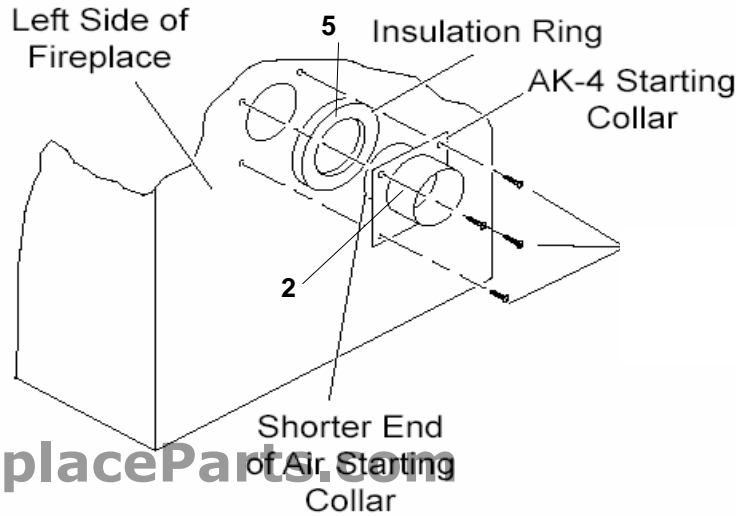


INSERT SHORTEST SIDE OF THE TUBE THROUGH THE FIREPLACE OUTER WRAP.



STEP 1: SECURE OUTSIDE AIR STARTING COLLAR TO LEFT SIDE OF FIREPLACE WITH FOUR SHEET METAL SCREWS PROVIDED.



## AK4 and OAC4 OUTSIDE AIR KITS

AK4 and OAC4 OUTSIDE AIR KITS			PART NUMBERS	
ITEM	DESCRIPTION	QTY	AK4	OAC4
1	COMBUSTION AIR ASSY	1	022016K	022016K
2	COLLAR/PLATE	1	031855K	022025K
3	INSTRUCTION MANUAL	1	-	-
4	PACKAGE SCREW	1	034800K	034800K
5	INSULATION RING	1	034922	-