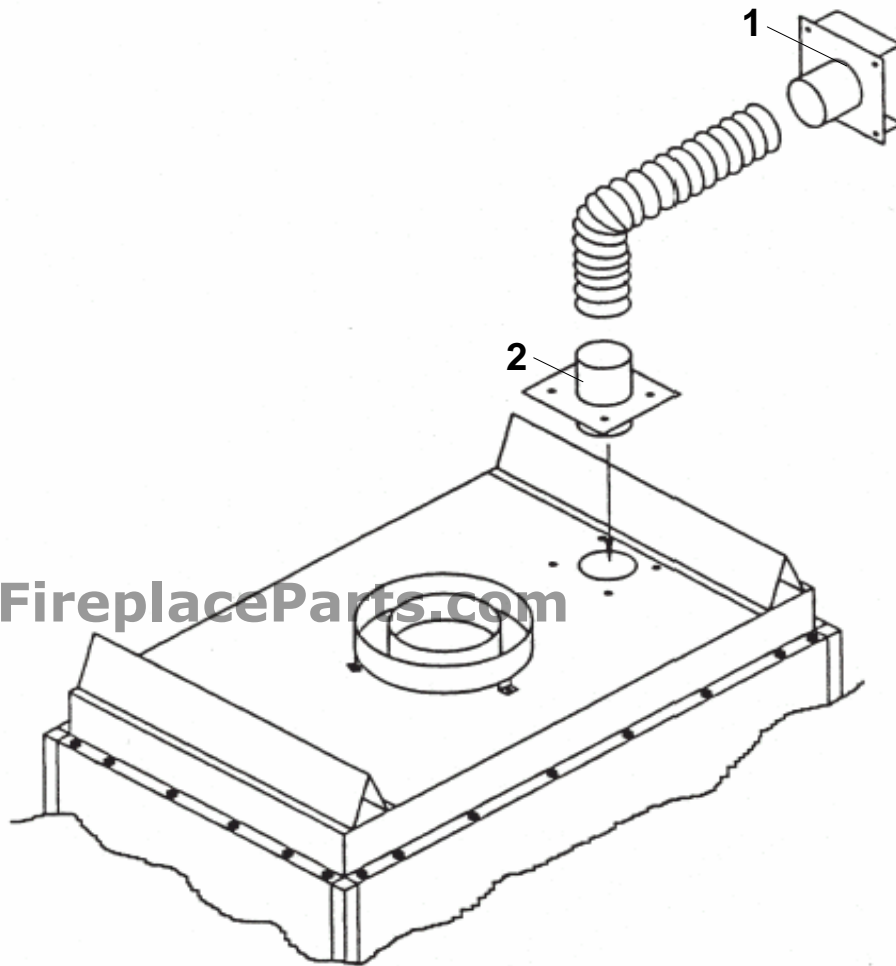


# 6AK

iBuyFireplaceParts.com



**MODEL 6AK OUTSIDE AIR KIT  
INSTALLATION INSTRUCTIONS**



**3**

EXHAUST AIR KIT IS OPTIONAL FOR MODELS WITH A HEATING AND WARMWATER HEATING SYSTEMS & MUST BE INSTALLED PERMANENTLY.

- REMOVE COVER ON TOP OF UNIT BEFORE BEGINNING THIS WORK.
- REMOVE WALL/CEILING PANEL FROM ABOVE THE TOP OF UNIT TO EXPOSE AIR INTAKE.
- INSTALL AIR INTAKE INTO TOP OF UNIT, SECURE WITH THE PROVIDED SCREWS. SECURE TO TOP PANEL WITH SUPPLIED PROVIDED SCREWS.
- ATTACH THE FLEXIBLE DUCT TO END OF AIR INTAKE.
- CONNECT EXHAUST DUCT TO BOTTOM OF THE OUTER HOOD AND FURF WALLS BY THE UNIT.

©2009, No. 1-2009-000

# 6AK Outside Air Kit

6AK			PART NUMBERS
ITEM	DESCRIPTION	QTY	6AK
1	COMBUSTION AIR ASSY	1	022016K
2	COLLAR/PLATE	1	031855K
3	INSTRUCTION MANUAL	1	53D9501
4	PACKAGE SCREW	1	-
5	INSULATION RING	1	-

iBuyFireplaceParts.com

iBuyFireplaceParts.com

888-634-4289