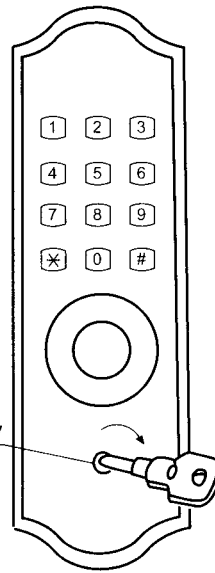


ZM Series mechanical digital door lock

Unlock the door from outside

1. Turn the handle to clear, then leave go of.
 2. Input your code.
 3. Turn the handle to unlock the door
(The door will be locked automatically by clearing).
- If you failed to unlock the door, you may pressed the wrong code or haven't pressed the key to the end.
 - If you forgot the code, you can use spare key to clear old codes, save new one (please refer to "How to change the code").

spare key



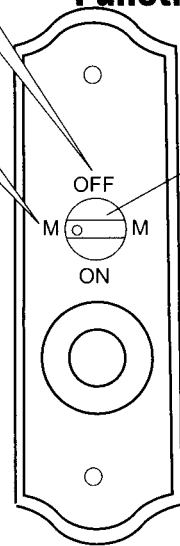
Note: Door can open freely by turning handle when lock in the None Code condition.

code free entry

Function Option

Auto Lock

function button



Note: Don't forget to turn the function button direct to "M" if you would like to use the code to enter.

Feature

- ▲ Both fit for right-handed, left-handed door and inside-open, outside-open door.
- ▲ You can change the code easily without removing the lock.
- ▲ The code can be selected from 1 to 12, because of mechanical structure, the keys may only be used once in a code and the code can be enter in any sequence.
- ▲ Door will be locked automatically when function button direct to "M".

How to change the code

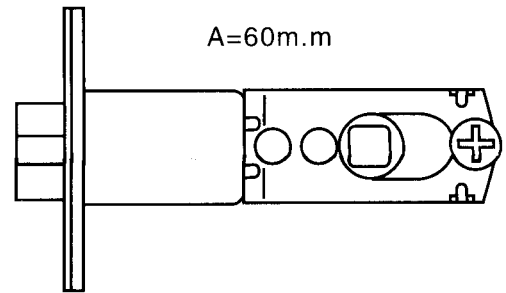
Step1:clear code: Insert the Key into the hole under the handle, then rotate it deasil by 60 degrees and leave go of.

Step2:save code: Input your codes by heavy pressing.

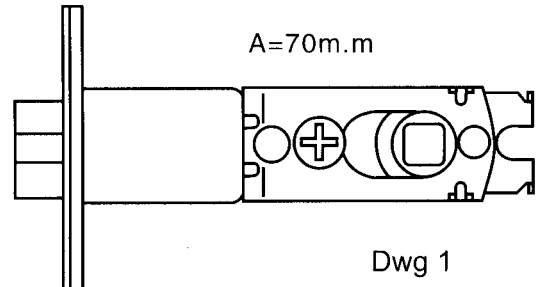
Step3:confirm code: please return the key anticlockwise and draw out it. (Don't rotate the key deasil, or, the new codes will be cleared).

- Just try your new code to unlock the door. If failed, there may be two reasons: 1, you didn't rotate the key to the stop position or 2, you didn't press to the end when putting the codes. Then, just try again according to the same steps.

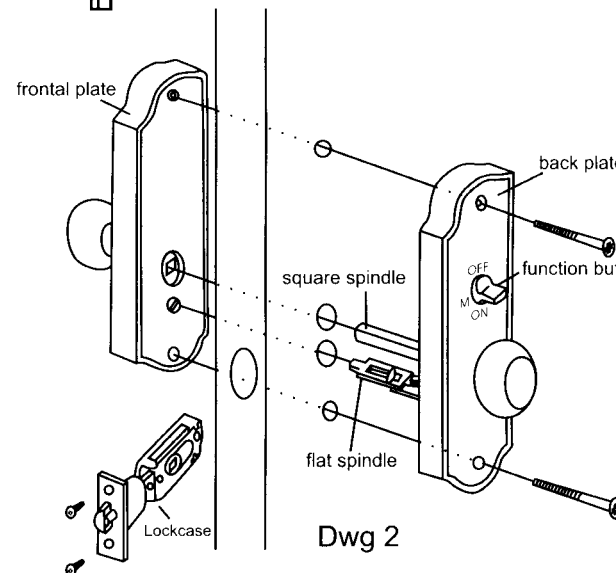
A=60m.m



A=70m.m



Dwg 1



Dwg 2

Installation

Step 1 drill the holes according to the dimension indicated in (Dwg.3).

Step 2 adjust the lockcase according to the centre distance of door.(Dwg.1)

Step 3 mount lockcase by screw-driver to the door.

Step 4 mount the front plate and the back plate with the function button direct to "M", along with the accessories to the door.(Dwg.2)
Adjust the two plates, before final tightening, test the mechanism to ensure that it is all moving easily.

Step 5 mount the strike to the door frame according to the position of the lockcase.

